

WASTEWATER
SUBMERSIBLE MOTOR PUMP
MODEL DL3
TECHNICAL DATA BOOK 50Hz



eDYNAMiQ

Eco, Dynamic and Integrated Quality

EBARA Corporation
EBARA DENSAN (TAIWAN) MFG. CO., LTD.

March, 2019

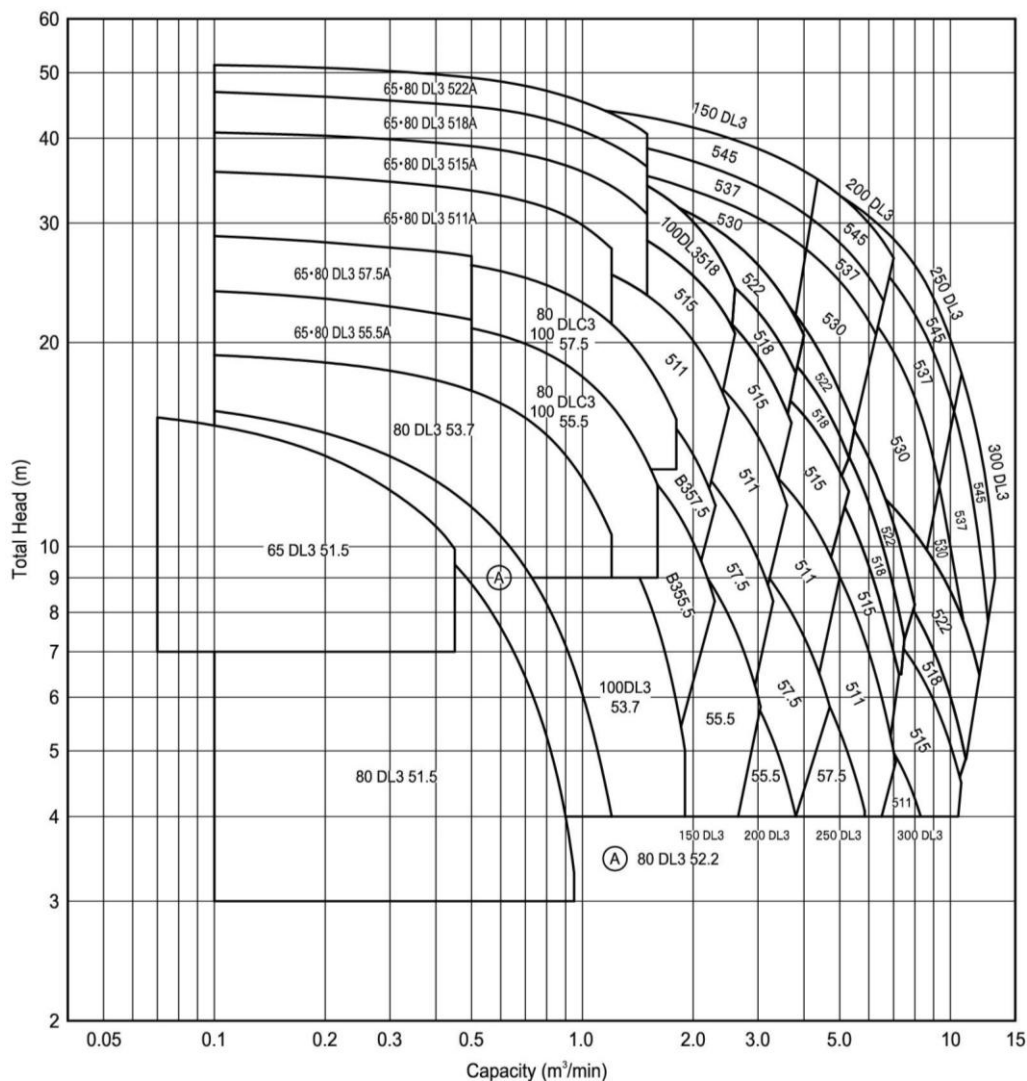
Table of Contents

1. Specifications
2. Performance Chart / Model Code
3. Dimensions
4. Sectional View
5. Performance Curves

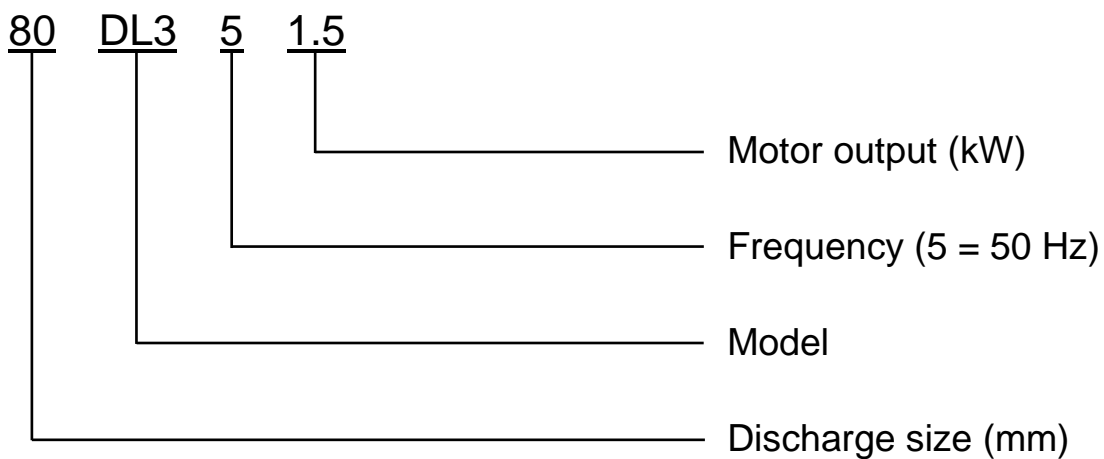
Specifications

50Hz

Scope	Discharge	65 — 300 mm	
	Motor Power	1.5 — 45 kW (3 phase)	
	Performance	Capacity : 0.07 — 13 m ³ /min Head : 3 — 51 m	
Liquid	Type	Sewage	
	Temperature	0 — 40°C	
	Max.Diameter of Solids (mm)	Φ65 : 40 (5.5 to 22 kW : 46) Φ80 : 50 (3.7 to 22 kW : 46) Φ100 : 57 (DLC3 : 46) Φ150 : 68 (30 to 45 kW :76)	Φ200 : 73 (30 to 45 kW :76) Φ250 : 79 (30 to 45 kW :76) Φ300 : 88 (30 to 45 kW :76)
	Max.Length of Fibers (mm)	Φ65 : 195 Φ80 : 195 Φ100 : 300 Φ150 : 400 (30 to 45 kW : 500)	Φ200 : 500 Φ250 : 550 (30 to 45 kW : 500) Φ300 : 600 (30 to 45 kW : 500)
Submergence	Maximum	8 m	
	Minimum	Refer to low water level (L.W.L) in dimensions.	
Construction	Impeller	Non-clog semi-open	
	Mechanical Seal	Oil lubricated, double mechanical seal (single spring 1.5 to 30 kW) (tandem spring 37 and 45 kW)	
	Bearing	Prelubricated ball bearing	
	Protection	Miniature thermal protector Leakage detector (float type)	
Materials	Casing	Cast iron	
	Impeller	Cast iron	
	Suction Cover	Cast iron	
	Shaft	403 Stainless steel	
	Motor Frame	Cast iron	
	Fasteners	304 Stainless steel	
	Mechanical Seal	Upper Face : Carbon / Ceramic Lower Face : Sillicon Carbide / Sillicon Carbide Lubricating Oil : Turbine Oil VG32 (SAE 10W / 20W)	
Motor	Type	Air filled dry submersible, IP68, Class H insulation	
	Number of poles	4 pole	
	Applicable Voltages	380 / 400 / 415 Volts 3 phase 50 Hz	
	Efficiency class	IE3	
	Starting	DOL (up to 7.5 kW) Star-Delta (11 to 45 kW)	
Cable	Length	10 m	
Accessories	Flange	Standard : Discharge elbow with screwed companion flange Option : Quick Discharge Connector (QDC)	

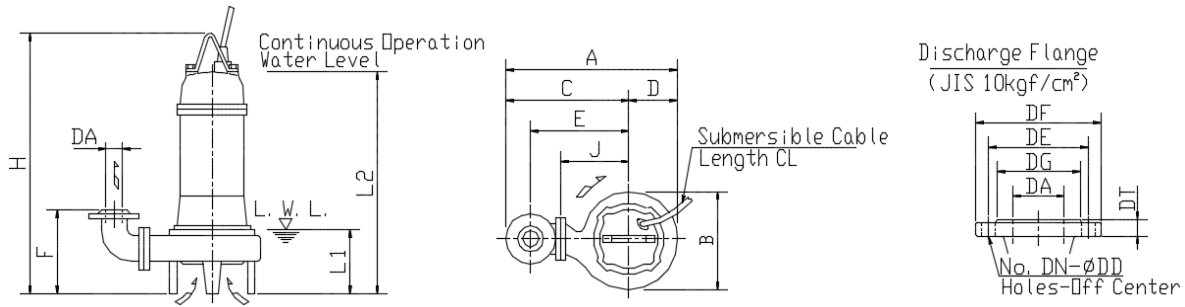


Model code



Dimensions – DL3

50Hz



Note:

- 1/ L.W.L.(Low Water Level)Is limited to 10 minutes operations at low water level.
- 2/ Is limited to 30 minutes operation with water level below top of motor.

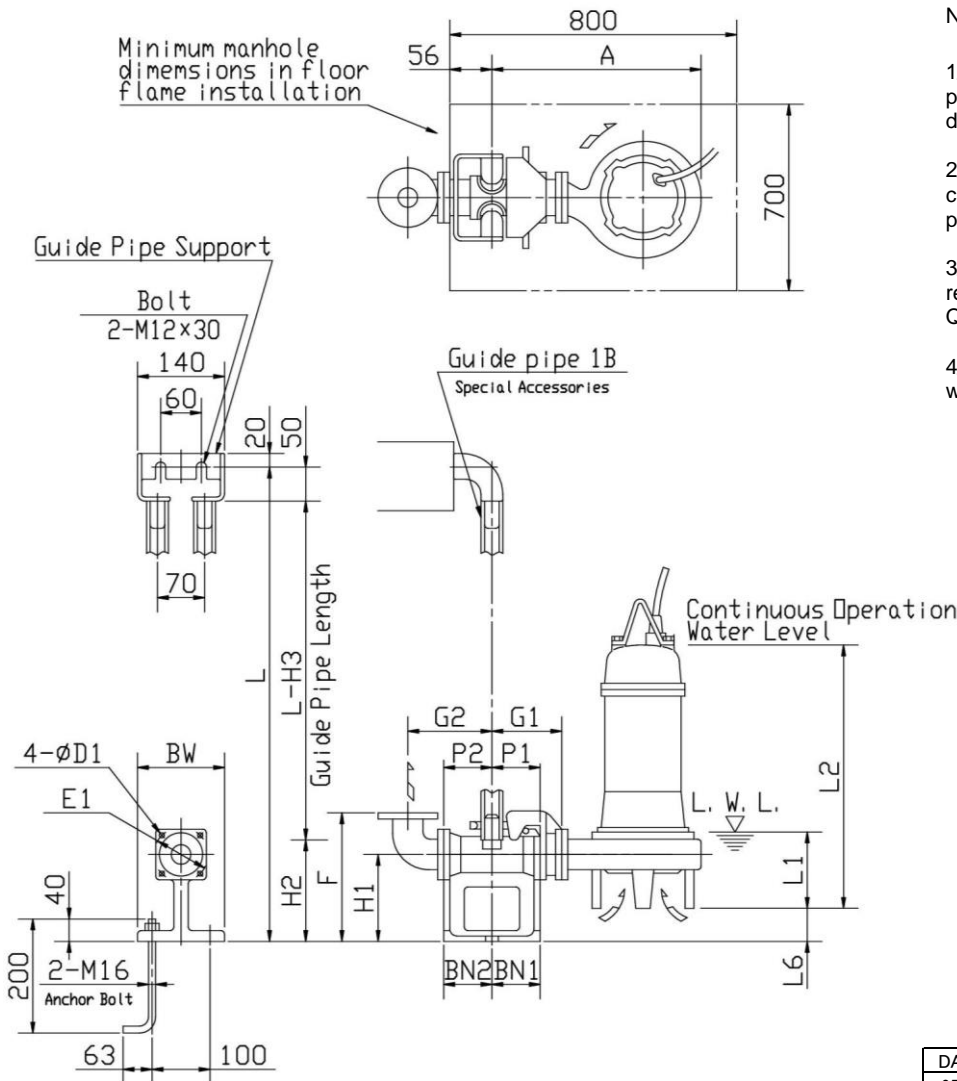
Unit : mm

DA	DE	DF	DG	DT	DN	DD
65	140	175	116	18	4	15
80	150	185	126	18	4	15
100	175	210	151	20	8	15
150	240	280	212	22	8	19
200	290	330	262	26	12	23
250	355	400	324	30	12	25
300	400	445	368	32	16	25

Size DA	Model	Output kW	A	B	C	D	E	F	H	J	L1	L2	CL	Weight
65	65 DL3 51.5	1.5	497	291	353	144	265	200	650	200	140	561	10m	61 kg
	65 DLD3 55.5A	5.5	573	339	403	170	315	215	868	250	260	767	10m	134 kg
	65 DLD3 57.5A	7.5	640	414	433	207	345	215	868	280	260	767	10m	157 kg
	65 DL3 511A	11	640	414	433	207	345	215	975	280	260	815	10m	185 kg
	65 DL3 515A	15	696	486	453	243	365	215	1060	300	280	900	10m	236 kg
	65 DL3 518A	18.5	696	486	453	243	365	215	1074	300	280	895	10m	256 kg
80	65 DL3 522A	22	696	486	453	243	365	215	1074	300	280	895	10m	267 kg
	80 DL3 51.5	1.5	524	292	378	146	285	220	671	210	165	582	10m	64 kg
	80 DL3 52.2	2.2	542	308	388	154	295	220	758	220	165	665	10m	78 kg
	80 DL3 53.7	3.7	567	328	403	164	310	220	758	235	165	665	10m	85 kg
	80 DLD3 55.5A	5.5	588	339	418	170	325	220	868	250	260	767	10m	136 kg
	80 DLC3 55.5	5.5	618	379	428	190	335	307	874	260	205	773	10m	151 kg
	80 DLD3 57.5A	7.5	665	414	448	207	355	220	868	280	260	767	10m	159 kg
	80 DLC3 57.5	7.5	648	399	448	200	355	305	874	280	205	773	10m	165 kg
	80 DL3 511A	11	655	414	448	207	355	220	975	280	260	815	10m	187 kg
	80 DL3 515A	15	711	486	468	243	375	220	1060	300	280	900	10m	238 kg
100	80 DL3 518A	18.5	711	486	468	243	375	220	1074	300	280	895	10m	258 kg
	80 DL3 522A	22	711	486	468	243	375	220	1074	300	280	895	10m	269 kg
	100 DL3 53.7	3.7	614	335	445	169	340	250	777	235	185	684	10m	89 kg
	100 DLB3 55.5	5.5	646	369	460	186	355	323	879	250	205	778	10m	140 kg
	100 DLC3 55.5	5.5	660	379	470	190	365	322	874	260	205	773	10m	151 kg
	100 DLB3 57.5	7.5	673	385	480	193	375	323	881	270	205	780	10m	158 kg
	100 DLC3 57.5	7.5	690	399	490	200	385	320	874	280	205	773	10m	165 kg
	100 DL3 511	11	701	402	500	201	395	323	970	290	205	810	10m	198 kg
	100 DL3 515	15	741	441	520	221	415	330	1067	310	205	907	10m	256 kg
	100 DL3 518	18.5	741	441	520	221	415	330	1081	310	205	902	10m	310 kg
150	150 DL3 55.5	5.5	750	398	550	200	410	381	910	280	245	809	10m	163 kg
	150 DL3 57.5	7.5	780	418	570	210	430	377	905	300	245	804	10m	175 kg
	150 DL3 511	11	810	438	590	220	450	377	994	320	245	834	10m	217 kg
	150 DL3 515	15	810	438	590	220	450	377	1084	320	245	924	10m	263 kg
	150 DL3 518	18.5	848	476	610	238	470	381	1102	340	245	923	10m	325 kg
	150 DL3 522	22	848	476	610	238	470	381	1102	340	245	923	10m	352 kg
	200 DL3 55.5	5.5	832	430	615	217	450	414	937	300	285	836	10m	177 kg
200	200 DL3 57.5	7.5	863	453	635	228	470	410	930	320	285	829	10m	193 kg
	200 DL3 511	11	863	453	635	228	470	410	1019	320	285	859	10m	230 kg
	200 DL3 515	15	896	479	655	241	490	411	1107	340	285	947	10m	286 kg
	200 DL3 518	18.5	932	512	675	257	510	415	1124	360	285	945	10m	330 kg
	200 DL3 522	22	932	512	675	257	510	415	1124	360	285	945	10m	357 kg
250	250 DL3 57.5	7.5	969	525	700	269	500	622	1015	370	400	914	10m	277 kg
	250 DL3 511	11	993	541	720	273	520	634	1111	390	400	951	10m	338 kg
	250 DL3 515	15	1007	549	730	277	530	646	1198	400	400	1038	10m	406 kg
	250 DL3 518	18.5	1007	549	730	277	530	646	1212	400	400	1033	10m	445 kg
	250 DL3 522	22	1007	549	730	277	530	646	1212	400	400	1033	10m	467 kg
300	300 DL3 511	11	1100	588	798	302	575	671	1161	420	450	1001	10m	383 kg
	300 DL3 515	15	1100	588	798	302	575	671	1243	420	450	1083	10m	421 kg
	300 DL3 518	18.5	1135	618	818	317	595	668	1254	440	450	1075	10m	465 kg
	300 DL3 522	22	1135	618	818	317	595	668	1254	440	450	1075	10m	492 kg

Units : mm unless otherwise specified

■ Applicable Models – DL3 with QDC(LM65,LM80)



Note:

1/ For detailed dimensions of the pumps, refer to separate dimension data sheets.

2/ The discharge bend and companion flange supplied with the pump are used with the QDC.

3/ The weight in dimension tables refers only to the weight of the QDC.

4/ Standard accessories supplied with QDC include:-

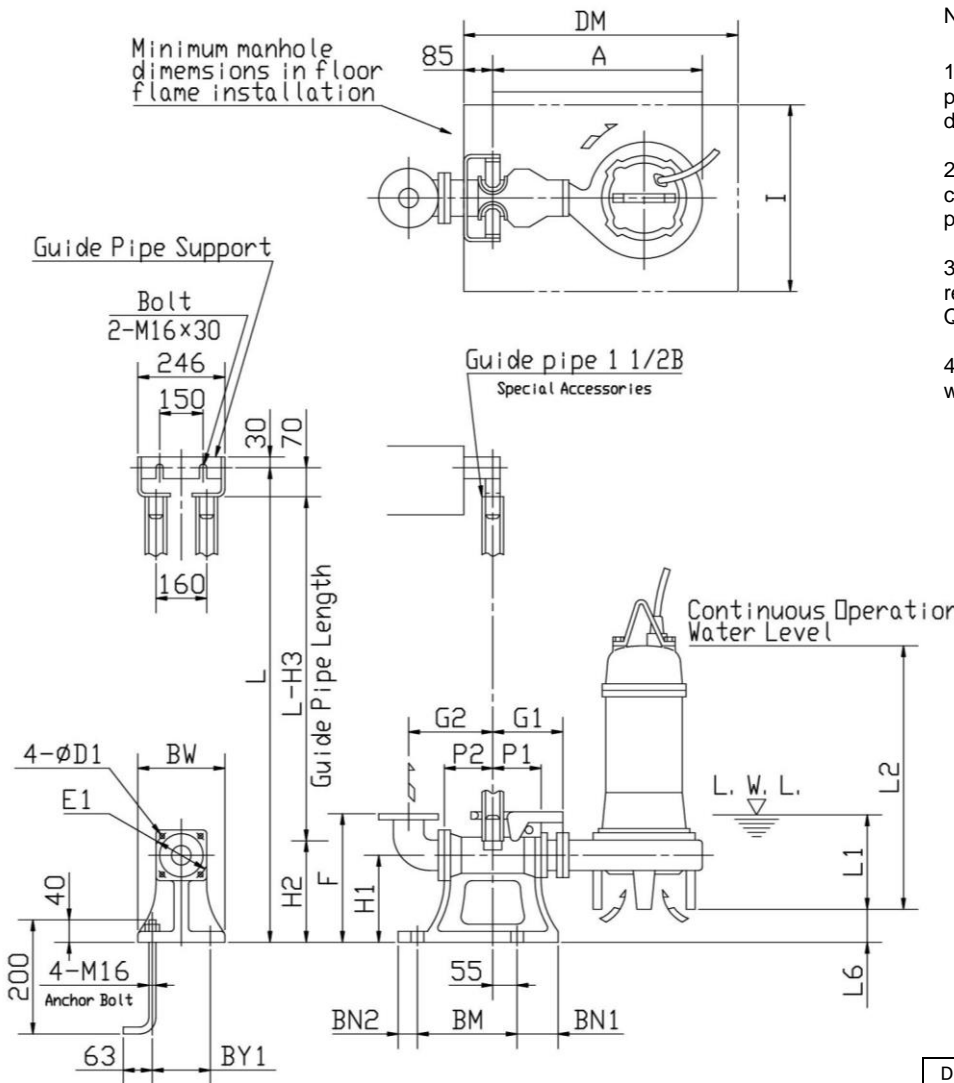
- Connector body with foundation bolts.
 - Guide pipe support
 - Sliding Glide
 - Adaptor Flange
- Guide Pipe is not supplied.

Discharge Flange
(JIS 10kgf/cm²)

Unit : mm						
DA	DE	DF	DG	DT	DN	DD
65	150	175	116	18	4	15
80	150	185	126	18	4	15

Size DA	QDC model	Pump model	Quick discharge connector																Weight kg
			A	P1	P2	G1	G2	F	H1	H2	H3	L1	L2	L6	BN1	BN2	D1	E1	
80	LM80	65 DL3 51.5	464	75	95	120	160	250	145	190	240	140	561	50	75	95	12	140	14
		80 DL3 51.5	481	75	90	125	165	285	175	230	280	165	582	65	75	90	15	155	17
		80 DL3 52.2	499	75	90	125	165	285	175	230	280	165	665	65	75	90	15	155	17
		80 DL3 53.7	524	75	90	125	165	285	175	230	280	165	665	65	75	90	15	155	17

■ Applicable Models – DL3 with QDC(LL65,LL80)



Note:

1/ For detailed dimensions of the pumps, refer to separate dimension data sheets.

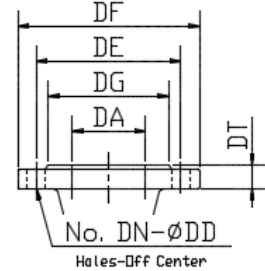
2/ The discharge bend and companion flange supplied with the pump are used with the QDC.

3/ The weight in dimension tables refers only to the weight of the QDC.

4/ Standard accessories supplied with QDC include:-

- Connector body with foundation bolts.
 - Guide pipe support
 - Sliding Glide
 - Adaptor Flange
- Guide Pipe is not supplied.

Discharge Flange
(JIS 10kgf/cm²)



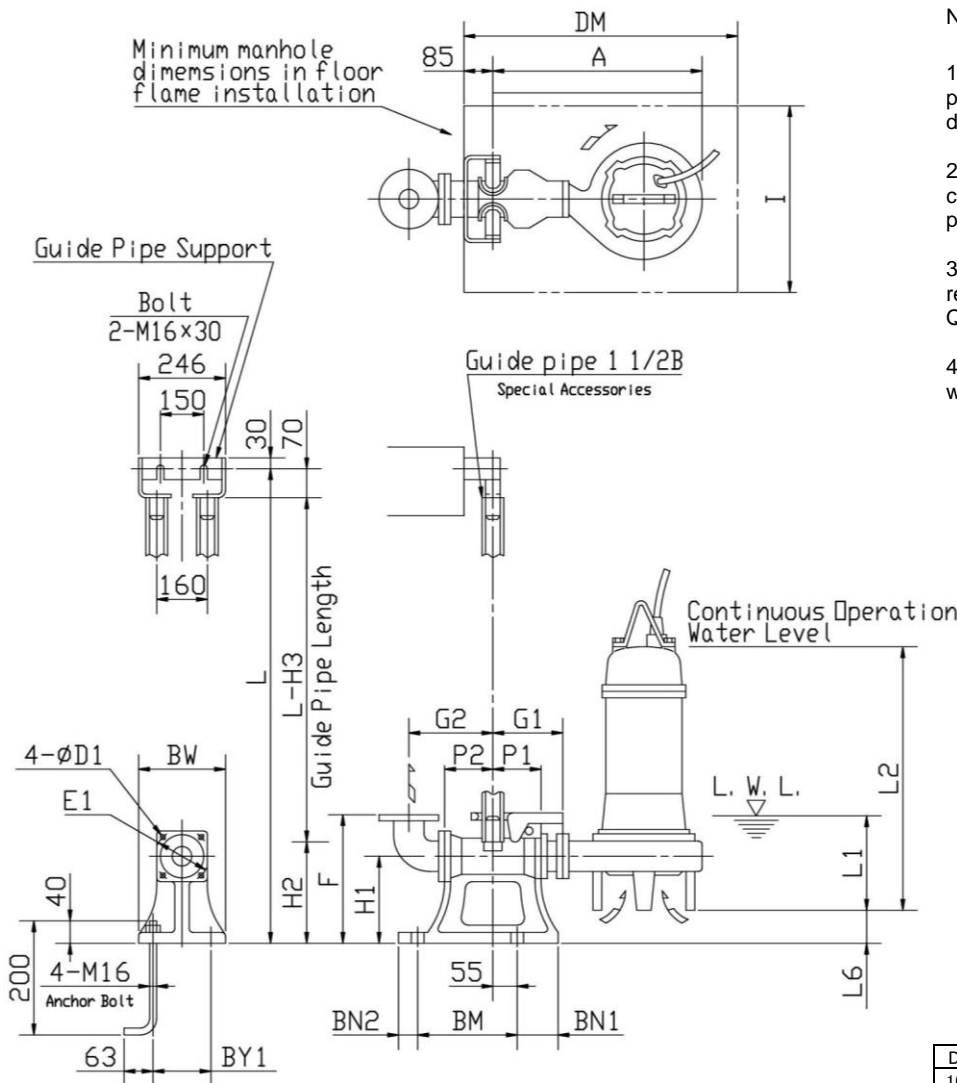
Unit : mm

DA	DE	DF	DG	DT	DN	DD
65	150	175	116	18	4	15
80	150	185	126	18	4	15
100	175	210	151	20	8	15

Unit : mm

Size DA	QDC model	Pump model	Quick discharge connector																	Weight kg				
			A	P1	P2	G1	G2	F	H1	H2	H3	L1	L2	L6	BN1	BN2	BM	BY1	BW		DM	I	D1	E1
65	LL65	65 DLD3 55.5A	605	105	125	185	190	315	210	240	310	260	767	100	100	40	195	160	210	800	700	12	140	41
		65 DLD3 57.5A	672	105	125	185	190	315	210	240	310	260	767	100	100	40	195	160	210	1000	700	12	140	41
		65 DL3 511A	672	105	125	185	190	315	210	240	310	260	815	100	100	40	195	160	210	1000	700	12	140	41
		65 DL3 515A	728	105	125	185	190	315	210	240	310	280	900	100	100	40	195	160	210	1000	700	12	140	41
		65 DL3 518A	728	105	125	185	190	315	210	240	310	280	895	100	100	40	195	160	210	1000	700	12	140	41
		65 DL3 522A	728	105	125	185	190	315	210	240	310	280	895	100	100	40	195	160	210	1000	700	12	140	41
80	LL65	80 DLD3 55.5A	605	105	125	185	200	320	210	240	310	260	767	100	100	40	195	160	210	800	700	12	140	41
		80 DLD3 57.5A	672	105	125	185	200	320	210	240	310	260	767	100	100	40	195	160	210	1000	700	12	140	41
	LL80	80 DLC3 55.5	635	105	120	185	195	350	240	255	325	205	773	43	100	40	220	180	230	800	700	15	155	44
		80 DLC3 57.5	665	105	120	185	195	350	240	255	325	205	773	45	100	40	220	180	230	800	700	15	155	44
		80 DL3 511A	672	105	125	185	200	320	210	240	310	260	815	100	100	40	195	160	210	1000	700	12	140	41
		80 DL3 515A	728	105	125	185	200	320	210	240	310	280	900	100	100	40	195	160	210	1000	700	12	140	41
LL65	80 DL3 518A	728	105	125	185	200	320	210	240	310	280	895	100	100	40	195	160	210	1000	700	12	140	41	
	80 DL3 522A	728	105	125	185	200	320	210	240	310	280	895	100	100	40	195	160	210	1000	700	12	140	41	
100	LL80	100 DLC3 55.5	635	105	120	185	225	365	240	255	325	205	773	43	100	40	220	180	230	800	700	15	155	44
		100 DLC3 57.5	665	105	120	185	225	365	240	255	325	205	773	45	100	40	220	180	230	800	700	15	155	44

■ Applicable Models – DL3 with QDC(LL100)



Note:

1/ For detailed dimensions of the pumps, refer to separate dimension data sheets.

2/ The discharge bend and companion flange supplied with the pump are used with the QDC.

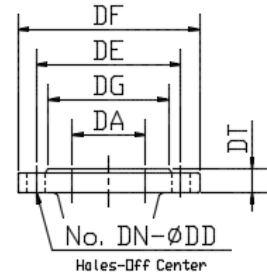
3/ The weight in dimension tables refers only to the weight of the QDC.

4/ Standard accessories supplied with QDC include:-

- Connector body with foundation bolts.
- Guide pipe support
- Sliding Glide
- Adaptor Flange

Guide Pipe is not supplied.

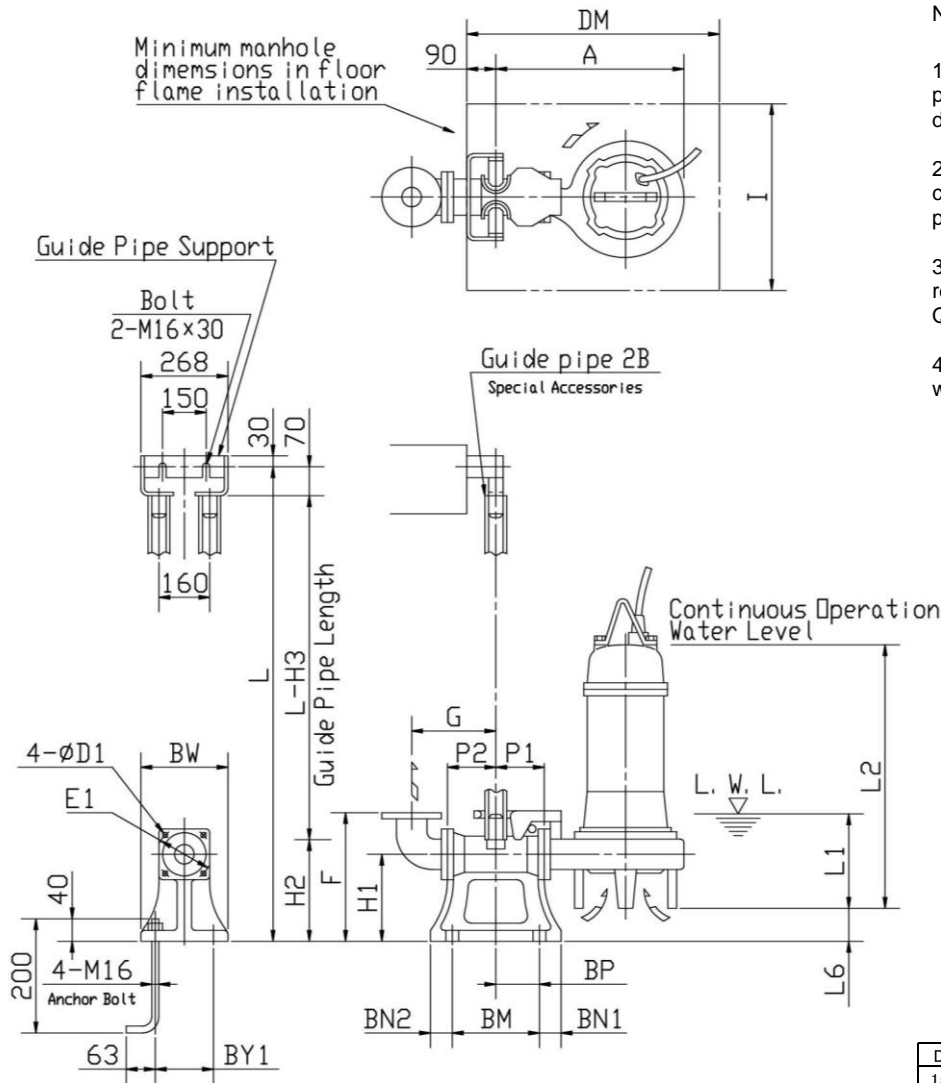
Discharge Flange
(JIS 10kgf/cm²)



Unit : mm							
DA	DE	DF	DG	DT	DN	DD	
100	175	210	151	20	8	15	

Size DA	QDC model	Pump model	Quick discharge connector																			Weight kg		
			A	P1	P2	G1	G2	F	H1	H2	H3	L1	L2	L6	BN1	BN2	BM	BY1	BW	DM	I		D1	E1
100	LL100	100 DL3 53.7	589	105	105	185	210	365	240	265	335	185	684	115	100	40	220	180	230	800	700	19	175	46
		100 DLB3 55.5	621	105	105	185	210	365	240	265	335	205	778	42	100	40	220	180	230	800	700	19	175	46
		100 DLB3 57.5	648	105	105	185	210	365	240	265	335	205	780	42	100	40	220	180	230	800	700	19	175	46
		100 DL3 511	676	105	105	185	210	365	240	265	335	205	810	42	100	40	220	180	230	1000	700	19	175	46
		100 DL3 515	716	105	105	185	210	365	240	265	335	205	907	35	100	40	220	180	230	1000	700	19	175	46
		100 DL3 518	716	105	105	185	210	365	240	265	335	205	902	35	100	40	220	180	230	1000	700	19	175	46

■ Applicable Models – DL3 with QDC(LL125,LL150) (5.5~22kW)



Note:

1/ For detailed dimensions of the pumps, refer to separate dimension data sheets.

2/ The discharge bend and companion flange supplied with the pump are used with the QDC.

3/ The weight in dimension tables refers only to the weight of the QDC.

4/ Standard accessories supplied with QDC include:-

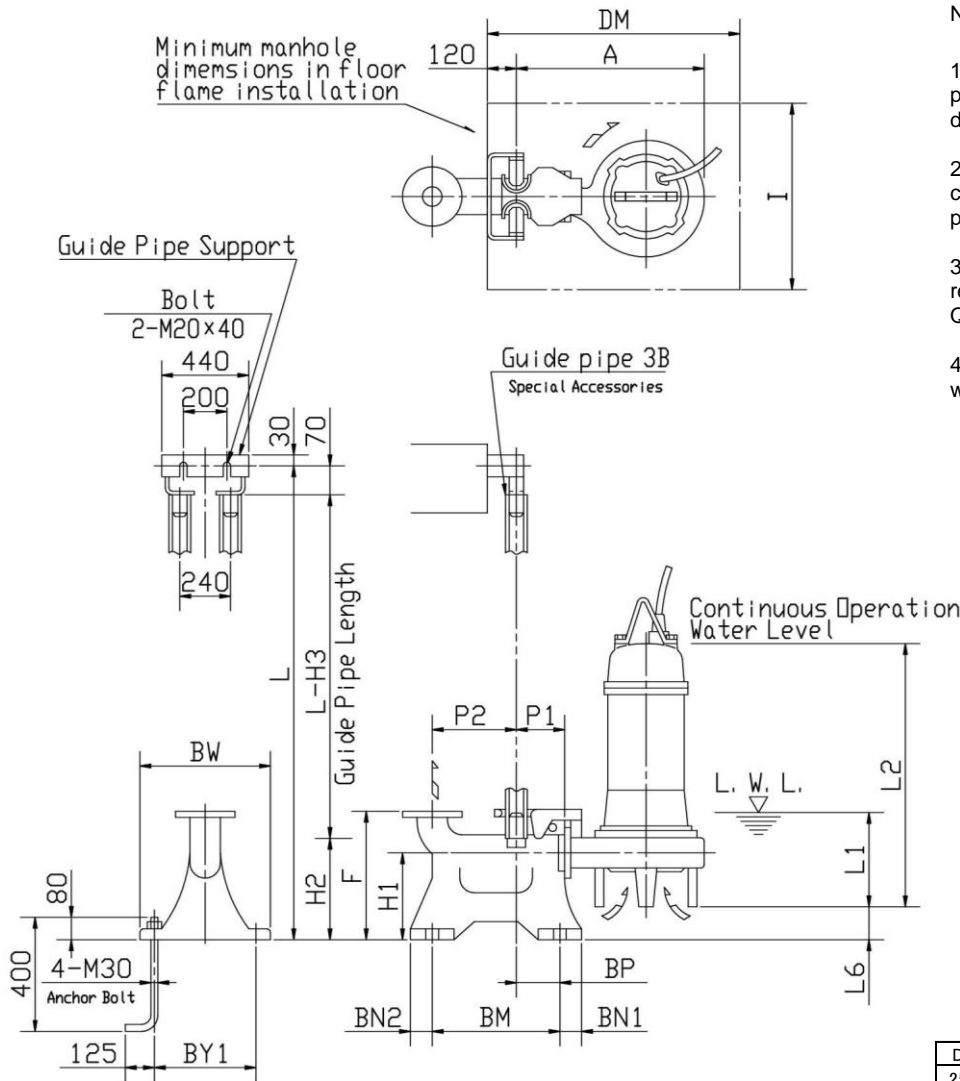
- Connector body with foundation bolts.
 - Guide pipe support
 - Sliding Glide
 - Adaptor Flange
- Guide Pipe is not supplied.

Discharge Flange
(JIS 10kgf/cm²)

Unit : mm						
DA	DE	DF	DG	DT	DN	DD
150	240	280	212	22	8	19
200	290	330	262	26	12	23

Size DA	QDC model	Pump model	Quick discharge connector																		Weight kg			
			A	P1	P2	G	F	H1	H2	H3	L1	L2	L6	BN1	BN2	BM	BP	BY1	BW	DM		I	D1	E1
150	LL125	150 DL3 55.5	635	155	195	325	450	290	362	432	245	809	69	60	60	370	165	280	330	1000	700	16	210	65
		150 DL3 57.5	665	155	195	325	450	290	362	432	245	804	73	60	60	370	165	280	330	1000	700	16	210	65
		150 DL3 511	695	155	195	325	450	290	362	432	245	834	73	60	60	370	165	280	330	1000	700	16	210	65
		150 DL3 515	695	155	195	325	450	290	362	432	245	924	73	60	60	370	165	280	330	1000	700	16	210	65
		150 DL3 518	733	155	195	325	450	290	362	432	245	923	69	60	60	370	165	280	330	1000	700	16	210	65
		150 DL3 522	733	155	195	325	450	290	362	432	245	923	69	60	60	370	165	280	330	1000	700	16	210	65
200	LL150	200 DL3 55.5	672	155	205	355	495	320	405	475	285	836	81	60	60	390	170	300	350	1100	800	16	250	80
		200 DL3 57.5	703	155	205	355	495	320	405	475	285	829	85	60	60	390	170	300	350	1100	800	16	250	80
		200 DL3 511	703	155	205	355	495	320	405	475	285	859	85	60	60	390	170	300	350	1100	800	16	250	80
		200 DL3 515	736	155	205	355	495	320	405	475	285	947	84	60	60	390	170	300	350	1100	800	16	250	80
		200 DL3 518	772	155	205	355	495	320	405	475	285	945	80	60	60	390	170	300	350	1100	800	16	250	80
		200 DL3 522	772	155	205	355	495	320	405	475	285	945	80	60	60	390	170	300	350	1100	800	16	250	80

■ Applicable Models – DL3 with QDC(LL250,LL300) (7.5~22kW)



Note:

1/ For detailed dimensions of the pumps, refer to separate dimension data sheets.

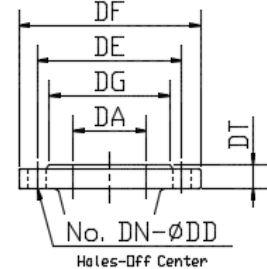
2/ The discharge bend and companion flange supplied with the pump are used with the QDC.

3/ The weight in dimension tables refers only to the weight of the QDC.

4/ Standard accessories supplied with QDC include:-

- Connector body with foundation bolts.
 - Guide pipe support
 - Sliding Glide
 - Adaptor Flange
- Guide Pipe is not supplied.

Discharge Flange
(JIS 10kgf/cm²)



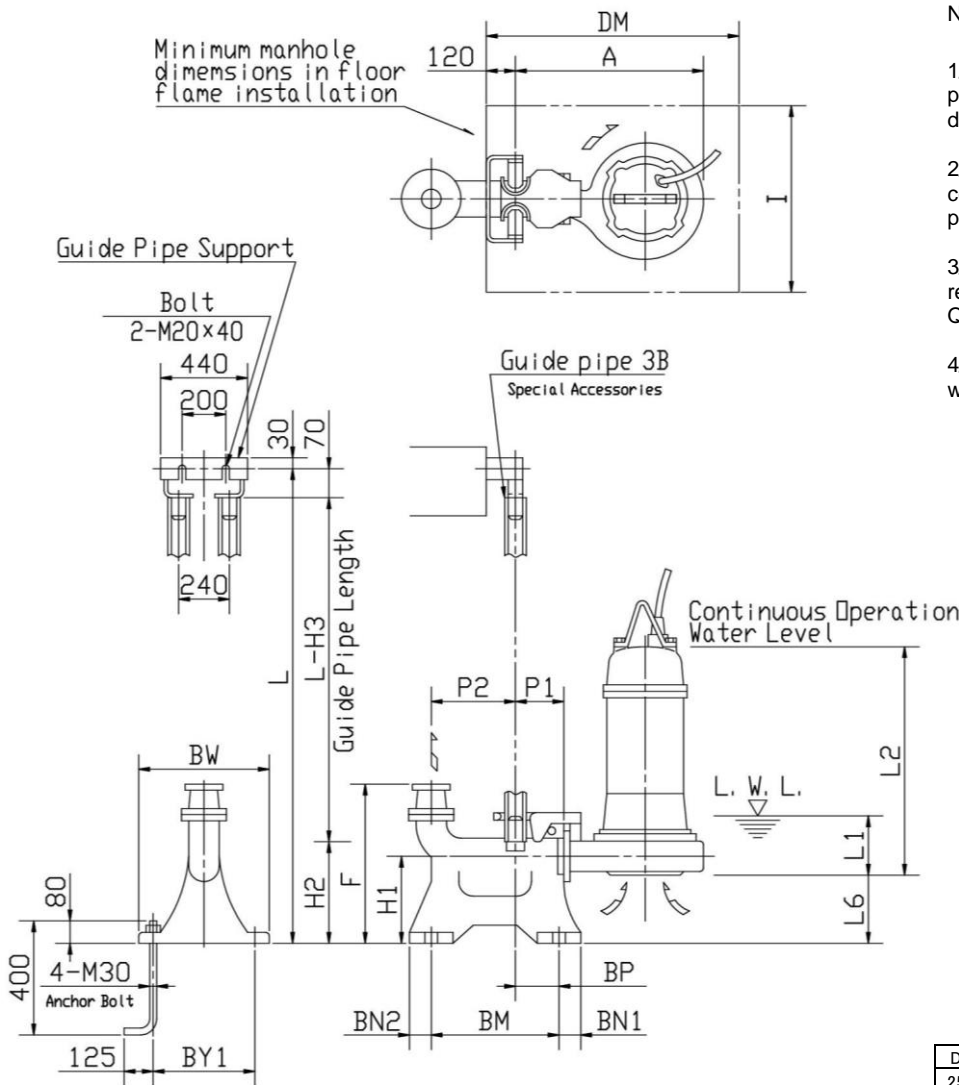
Unit : mm

DA	DE	DF	DG	DT	DN	DD
250	355	400	324	30	12	25
300	400	445	368	32	16	25

Unit : mm

Size DA	QDC model	Pump model	Quick discharge connector																	Weight kg	
			A	P1	P2	F	H1	H2	H3	L1	L2	L6	BN1	BN2	BM	BP	BY1	BW	DM		I
250	LL250	250 DL3 57.5	834	195	435	700	350	440	510	400	914	58	70	70	650	215	500	560	1200	900	150
		250 DL3 511	858	195	435	700	350	440	510	400	951	46	70	70	650	215	500	560	1200	900	150
		250 DL3 515	872	195	435	700	350	440	510	400	1038	34	70	70	650	215	500	560	1200	900	150
		250 DL3 518	872	195	435	700	350	440	510	400	1033	34	70	70	650	215	500	560	1200	900	150
		250 DL3 522	872	195	435	700	350	440	510	400	1033	34	70	70	650	215	500	560	1200	900	150
300	LL300	300 DL3 511	917	195	465	800	430	550	620	450	1001	109	70	70	680	215	580	640	1200	900	200
		300 DL3 515	917	195	465	800	430	550	620	450	1083	109	70	70	680	215	580	640	1200	900	200
		300 DL3 518	952	195	465	800	430	550	620	450	1075	112	70	70	680	215	580	640	1200	900	200
		300 DL3 522	952	195	465	800	430	550	620	450	1075	112	70	70	680	215	580	640	1200	900	200

■ Applicable Models – DL3 with QDC(LL300) (250DL3 30~45kW)



Note:

1/ For detailed dimensions of the pumps, refer to separate dimension data sheets.

2/ The discharge bend and companion flange supplied with the pump are used with the QDC.

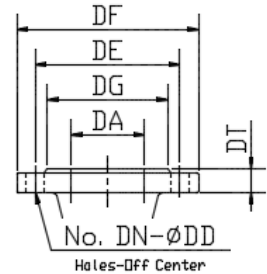
3/ The weight in dimension tables refers only to the weight of the QDC.

4/ Standard accessories supplied with QDC include:-

- Connector body with foundation bolts.
 - Guide pipe support
 - Sliding Glide
 - Adaptor Flange
- Guide Pipe is not supplied.

Discharge Flange

(JIS 10kgf/cm²)



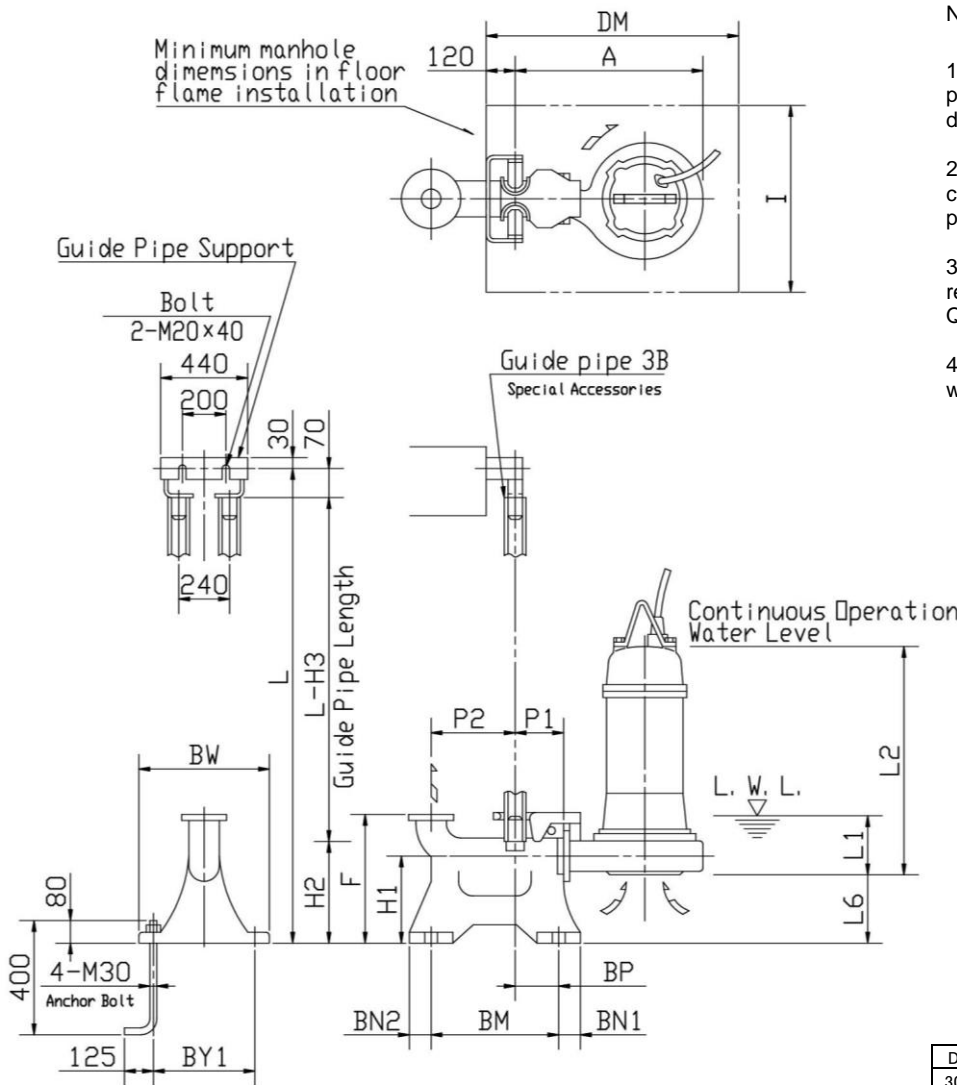
Unit : mm

DA	DE	DF	DG	DT	DN	DD
250	355	400	324	30	12	25

Unit : mm

Size DA	QDC model	Pump model	Quick discharge connector																	Weight kg	
			A	P1	P2	F	H1	H2	H3	L1	L2	L6	BN1	BN2	BM	BP	BY1	BW	DM		I
250	LL300	250 DL3 530	990	195	465	970	430	550	620	237	1001	300	70	70	680	215	580	640	1200	900	200
		250 DL3 537	990	195	465	970	430	550	620	237	1128	300	70	70	680	215	580	640	1200	900	200
		250 DL3 545	990	195	465	970	430	550	620	237	1128	300	70	70	680	215	580	640	1200	900	200

■ Applicable Models – DL3 with QDC(LL300) (300DL3 30~45kW)



Note:

1/ For detailed dimensions of the pumps, refer to separate dimension data sheets.

2/ The discharge bend and companion flange supplied with the pump are used with the QDC.

3/ The weight in dimension tables refers only to the weight of the QDC.

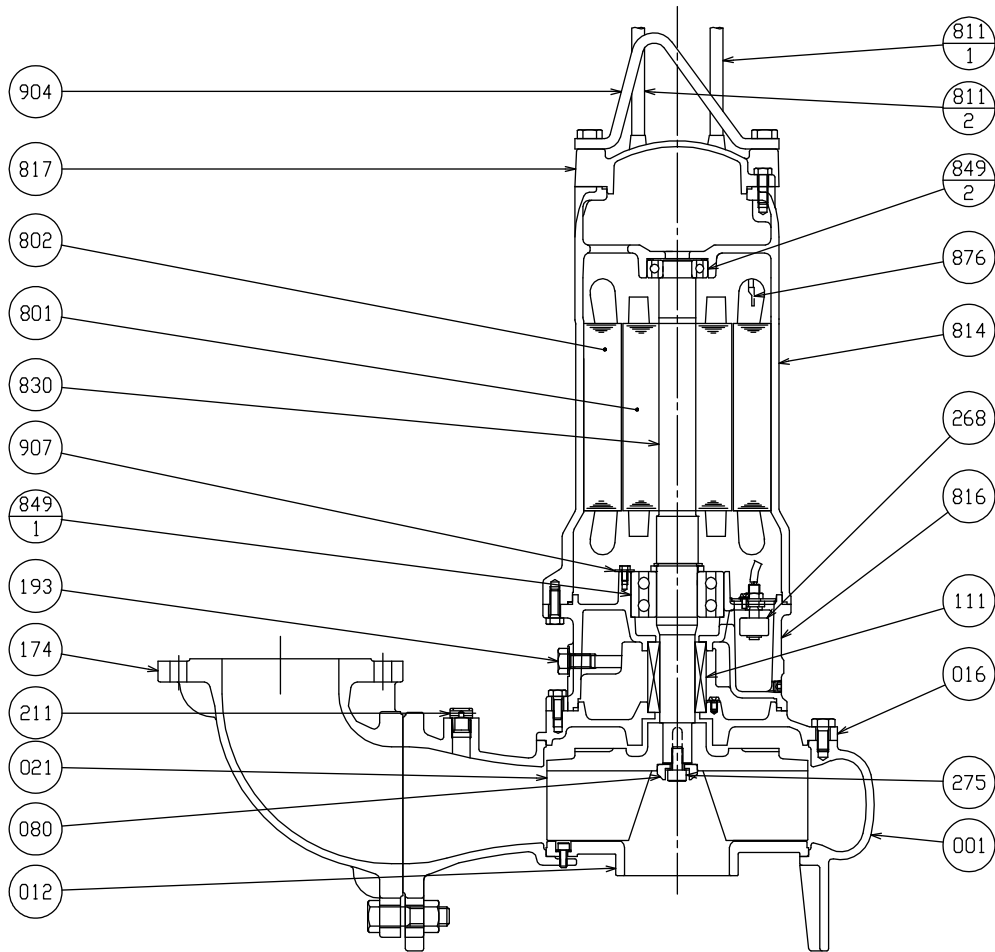
4/ Standard accessories supplied with QDC include:-

- Connector body with foundation bolts.
- Guide pipe support
- Sliding Glide
- Adaptor Flange

Guide Pipe is not supplied.

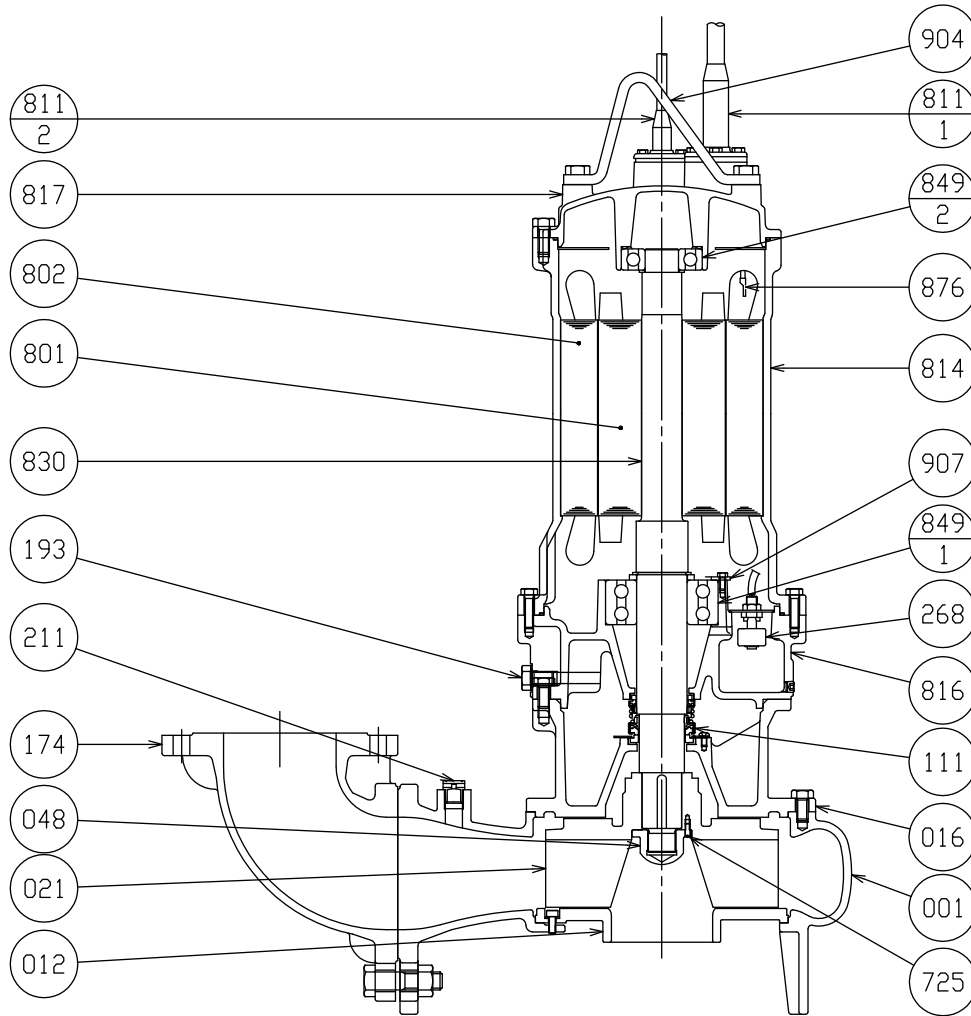
Unit : mm

Size DA	QDC model	Pump model	Quick discharge connector																	Weight kg	
			A	P1	P2	F	H1	H2	H3	L1	L2	L6	BN1	BN2	BM	BP	BY1	BW	DM		I
300	LL300	300 DL3 530	990	195	465	800	430	550	620	237	1001	300	70	70	680	215	580	640	1200	900	200
		300 DL3 537	990	195	465	800	430	550	620	237	1128	300	70	70	680	215	580	640	1200	900	200
		300 DL3 545	990	195	465	800	430	550	620	237	1128	300	70	70	680	215	580	640	1200	900	200



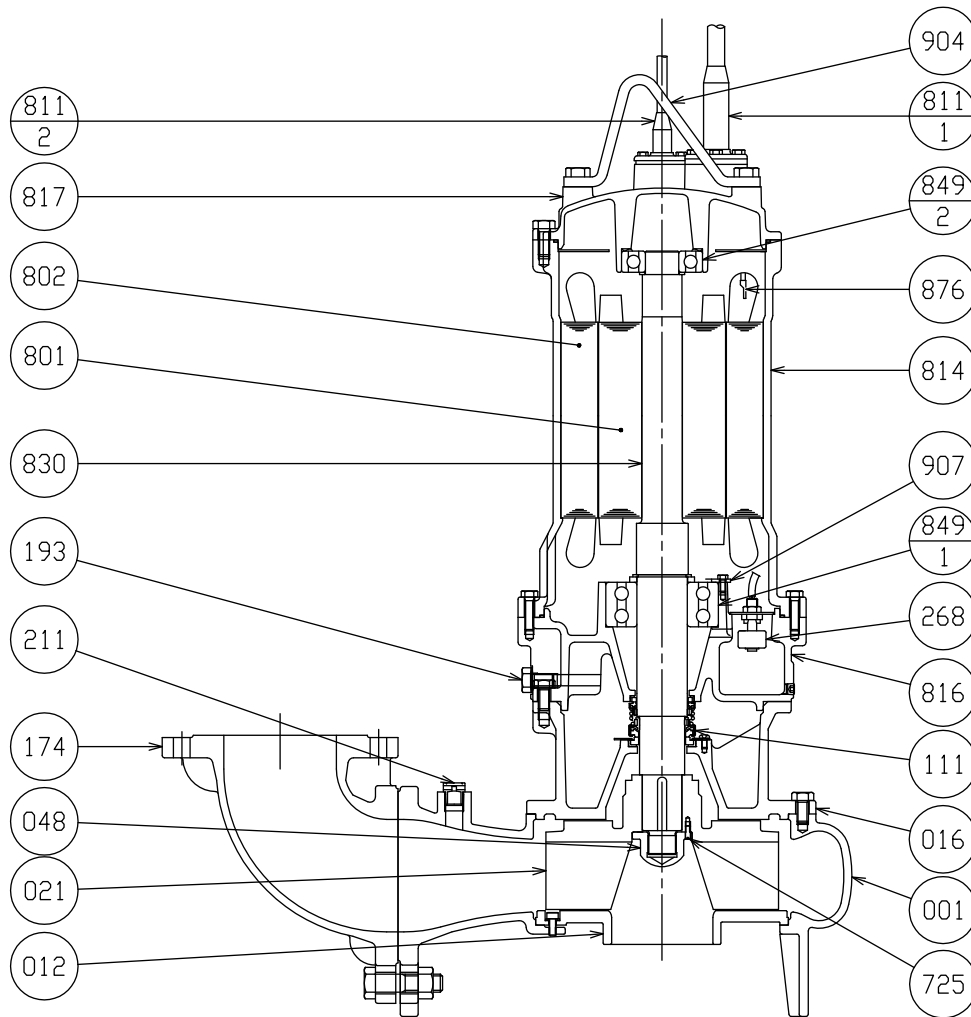
Item Number	Part Name	Material	Qty per unit
001	Pump Casing	FC200 Cast iron	1
012	Suction Cover	FC200 Cast iron	1
016	Mechanical Seal Cover	FC200 Cast iron	1
021	Impeller	FC200 Cast iron	1
080	Bushing	SS Steel	1
111	Mechanical Seal		1
174	Discharge Bend	FC200 Cast iron	1
193	Oil Plug	NBR / SUS304	1 set
211	Air Vent Valve	C3604 Brass	1
268	Leakage Detector		1
275	Impeller Bolt	SUS304 Stainless Steel	1
801	Rotor		1

Item Number	Part Name	Material	Qty per unit
802	Stator		1
811-1	Submersible Cable (Power)		1
811-2	Submersible Cable (Signal)		1
814	Motor Frame	FC200 Cast iron	1
816	Power Side Bracket	FC200 Cast iron	1
830	Shaft	SUS403 Stainless Steel	1
842	Head Cover	FC200 Cast iron	1
849-1	Ball Bearing		1
849-2	Ball Bearing		1
876	Thermal Protector		2
904	Lifting Hanger	SS Steel	1
907	Bearing Cover	SPCC Steel	3



Item Number	Part Name	Material	Qty per unit
001	Pump Casing	FC200 Cast iron	1
012	Suction Cover	FC200 Cast iron	1
016	Mechanical Seal Cover	FC200 Cast iron	1
021	Impeller	FCD400 Cast iron	1
048	Impeller Nut	SUS304 Stainless Steel	1
111	Mechanical Seal		1
174	Discharge Bend	FC200 Cast iron	1
193	Oil Plug	NBR / SUS304	1 set
211	Air Vent Valve	C3604 Brass	1
268	Leakage Detector		1
725	Set Screw	SUS304 Stainless Steel	1
801	Rotor		1

Item Number	Part Name	Material	Qty per unit
802	Stator		1
811-1	Submersible Cable (Power)		1
811-2	Submersible Cable (Signal)		1
814	Motor Frame	FC200 Cast iron	1
816	Power Side Braket	FC200 Cast iron	1
817	Opposite Side Braket	FC200 Cast iron	1
830	Shaft	SUS403 Stainless Steel	1
849-1	Ball Bearing		1
849-2	Ball Bearing		1
876	Thermal Protector		2
904	Lifting Hanger	SS Steel	1
907	Bearing Cover	SPCC Steel	1

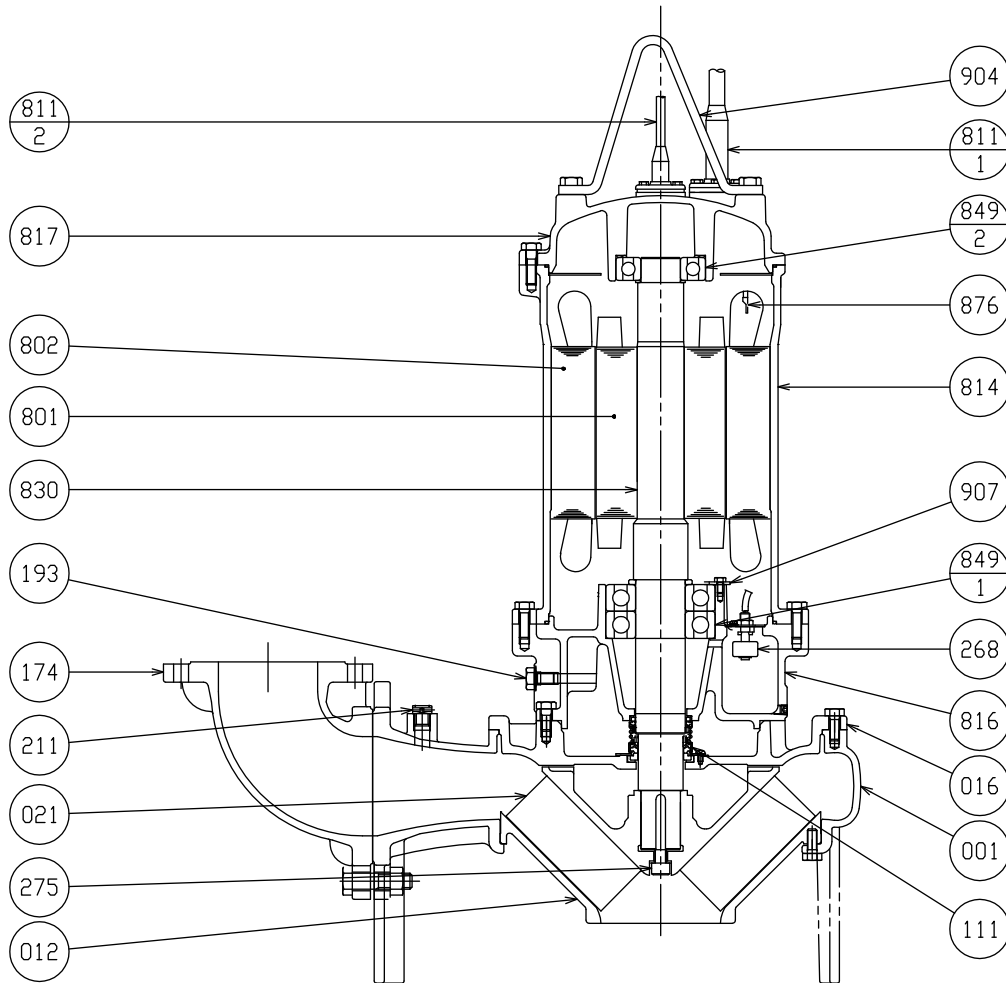


Item Number	Part Name	Material	Qty per unit
001	Pump Casing	FC200 Cast iron	1
012	Suction Cover	FC200 Cast iron	1
016	Mechanical Seal Cover	FC200 Cast iron	1
021	Impeller	FCD400 Cast iron	1
048	Impeller Nut	SUS304 Stainless Steel	1
111	Mechanical Seal		1
174	Discharge Bend	FC200 Cast iron	1
193	Oil Plug	NBR / SUS304	1 set
211	Air Vent Valve	C3604 Brass	1
268	Leakage Detector		1
725	Set Screw	SUS304 Stainless Steel	1
801	Rotor		1

Item Number	Part Name	Material	Qty per unit
802	Stator		1
811-1	Submersible Cable (Power)		2
811-2	Submersible Cable (Signal)		1
814	Motor Frame	FC200 Cast iron	1
816	Power Side Braket	FC200 Cast iron	1
817	Opposite Side Braket	FC200 Cast iron	1
830	Shaft	SUS403 Stainless Steel	1
849-1	Ball Bearing		1
849-2	Ball Bearing		1
876	Thermal Protector		2
904	Lifting Hanger	SS Steel	1
907	Bearing Cover	SPCC Steel	1

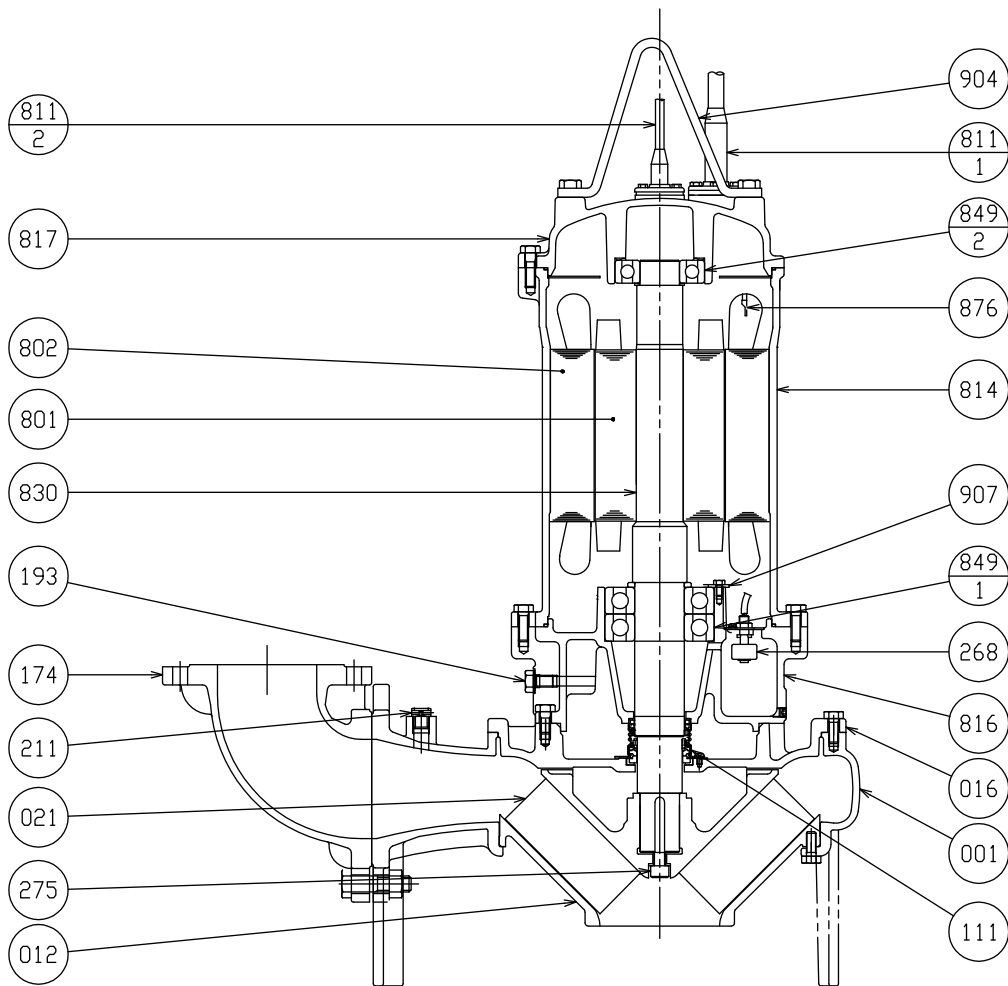
Sectional View – 80 DL3 (5.5~7.5kW), 100 DL3 (5.5~7.5kW)
 150 DL3 (5.5~7.5kW), 200 DL3 (5.5~7.5kW)

50Hz



Item Number	Part Name	Material	Qty per unit
001	Pump Casing	FC200 Cast iron	1
012	Suction Cover	FC200 Cast iron	1
016	Mechanical Seal Cover	FC200 Cast iron	1
021	Impeller	FC200 Cast iron	1
111	Mechanical Seal		1
174	Discharge Bend	FC200 Cast iron	1
193	Oil Plug	NBR / SUS304	1 set
211	Air Vent Valve	C3604 Brass	1
268	Leakage Detector		1
275	Impeller Bolt	SUS304 Stainless Steel	1
801	Rotor		1

Item Number	Part Name	Material	Qty per unit
802	Stator		1
811-1	Submersible Cable (Power)		1
811-2	Submersible Cable (Signal)		1
814	Motor Frame	FC200 Cast iron	1
816	Power Side Bracket	FC200 Cast iron	1
817	Opposite Side Bracket	FC200 Cast iron	1
830	Shaft	SUS403 Stainless Steel	1
849-1	Ball Bearing		1
849-2	Ball Bearing		1
876	Thermal Protector		2
904	Lifting Hanger	SS Steel	1
907	Bearing Cover	SPCC Steel	1



Item Number	Part Name	Material		Qty per unit
001	Pump Casing	FC200	Cast iron	1
012	Suction Cover	FC200	Cast iron	1
016	Mechanical Seal Cover	FC200	Cast iron	1
021	Impeller	FC200	Cast iron	1
111	Mechanical Seal			1
174	Discharge Bend	FC200	Cast iron	1
193	Oil Plug	NBR / SUS304		1 set
211	Air Vent Valve	C3604	Brass	1
268	Leakage Detector			1
275	Impeller Bolt	SUS304	Stainless Steel	1
801	Rotor			1

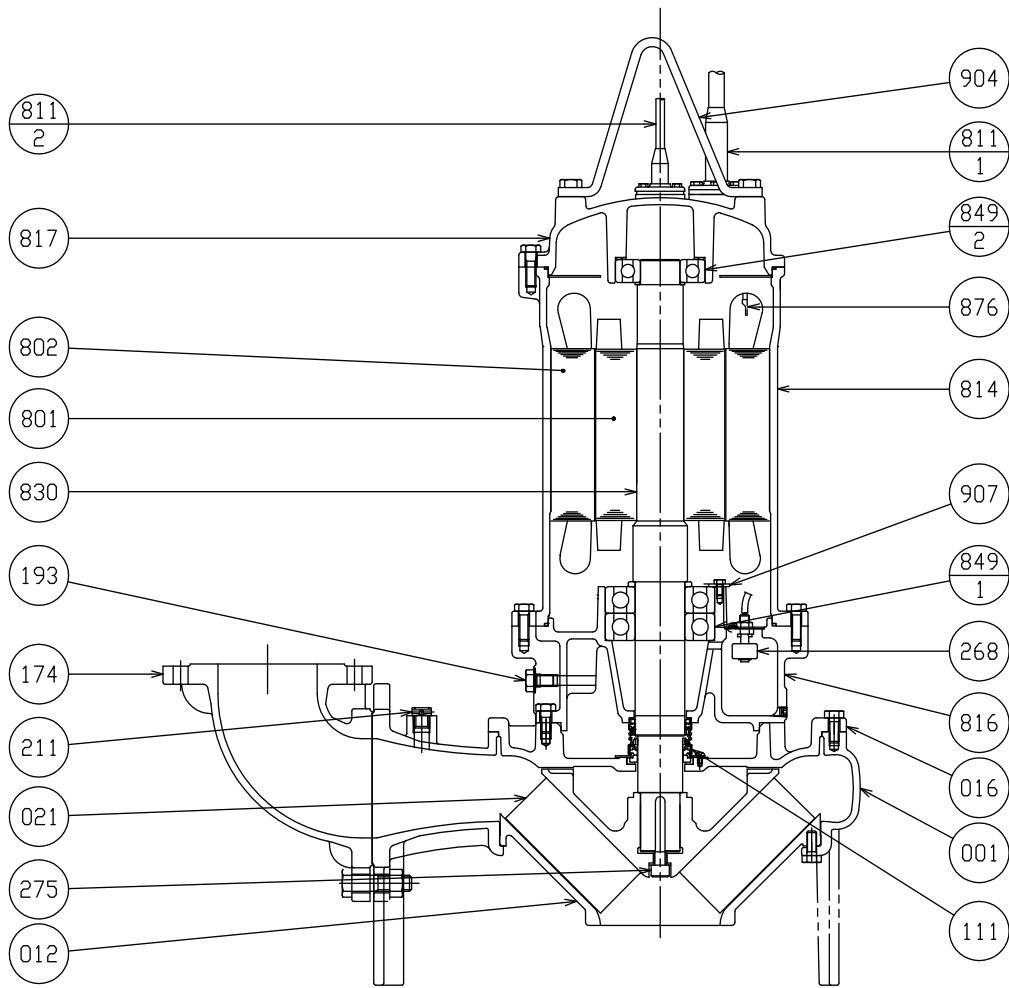
Item Number	Part Name	Material		Qty per unit
802	Stator			1
811-1	Submersible Cable (Power)			2
811-2	Submersible Cable (Signal)			1
814	Motor Frame	FC200	Cast iron	1
816	Power Side Braket	FC200	Cast iron	1
817	Opposite Side Braket	FC200	Cast iron	1
830	Shaft	SUS403	Stainless Steel	1
849-1	Ball Bearing			1
849-2	Ball Bearing			1
876	Thermal Protector			2
904	Lifting Hanger	SS	Steel	1
907	Bearing Cover	SPCC	Steel	1

EBARA Submersible Sewage Pumps

Model **DL3**

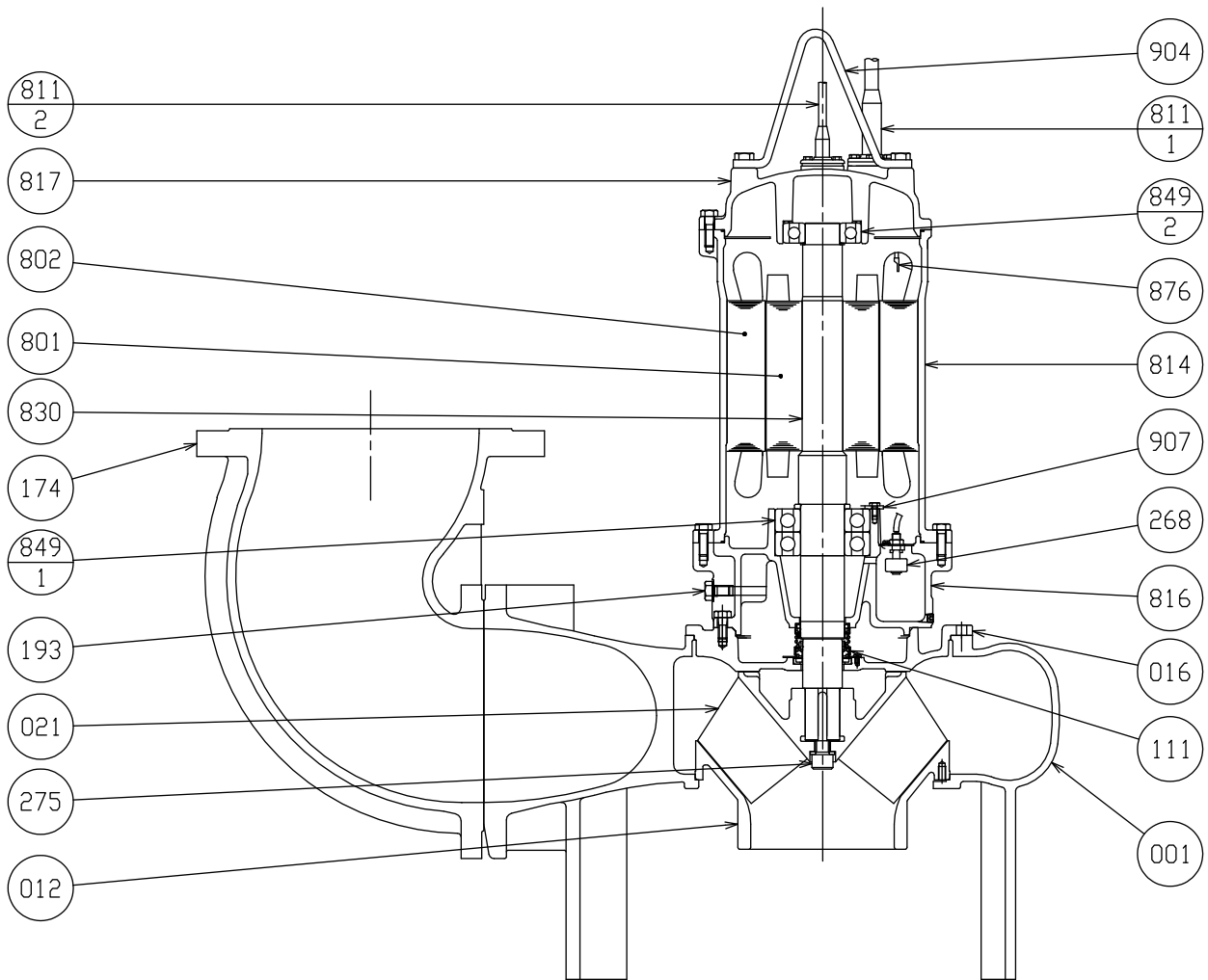
Sectional View – 100 DL3 (11~18.5kW), 150 DL3 (18.5~22kW), 200 DL3 (18.5~22kW)

50Hz



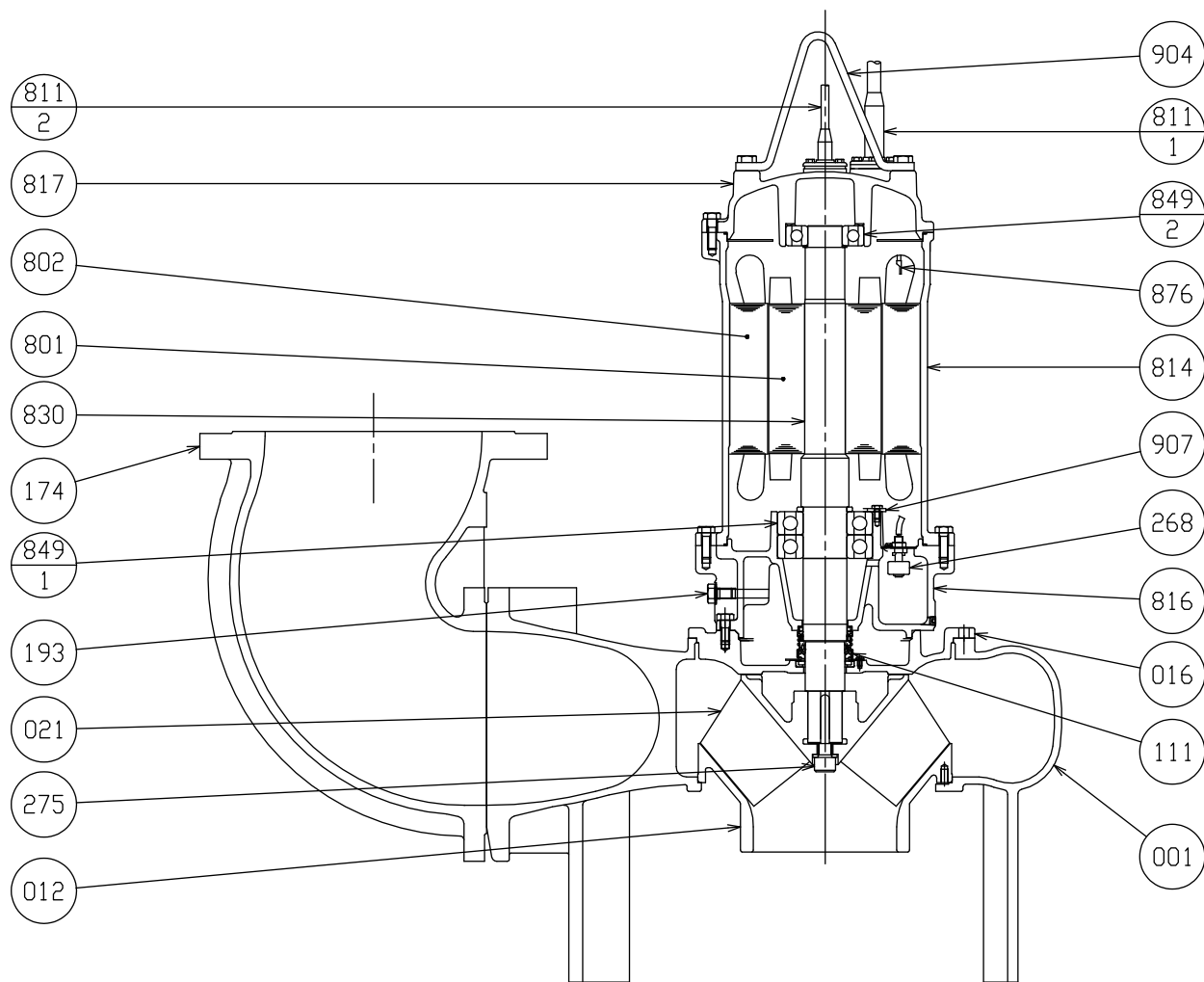
Item Number	Part Name	Material	Qty per unit
001	Pump Casing	FC200 Cast iron	1
012	Suction Cover	FC200 Cast iron	1
016	Mechanical Seal Cover	FC200 Cast iron	1
021	Impeller	FCD400 Cast iron	1
111	Mechanical Seal		1
174	Discharge Bend	FC200 Cast iron	1
193	Oil Plug	NBR / SUS304	1 set
211	Air Vent Valve	C3604 Brass	1
268	Leakage Detector		1
275	Impeller Bolt	SUS304 Stainless Steel	1
801	Rotor		1

Item Number	Part Name	Material	Qty per unit
802	Stator		1
811-1	Submersible Cable (Power)		2
811-2	Submersible Cable (Signal)		1
814	Motor Frame	FC200 Cast iron	1
816	Power Side Braket	FC200 Cast iron	1
817	Opposite Side Braket	FC200 Cast iron	1
830	Shaft	SUS403 Stainless Steel	1
849-1	Ball Bearing		1
849-2	Ball Bearing		1
876	Thermal Protector		2
904	Lifting Hanger	SS Steel	1
907	Bearing Cover	SPCC Steel	1



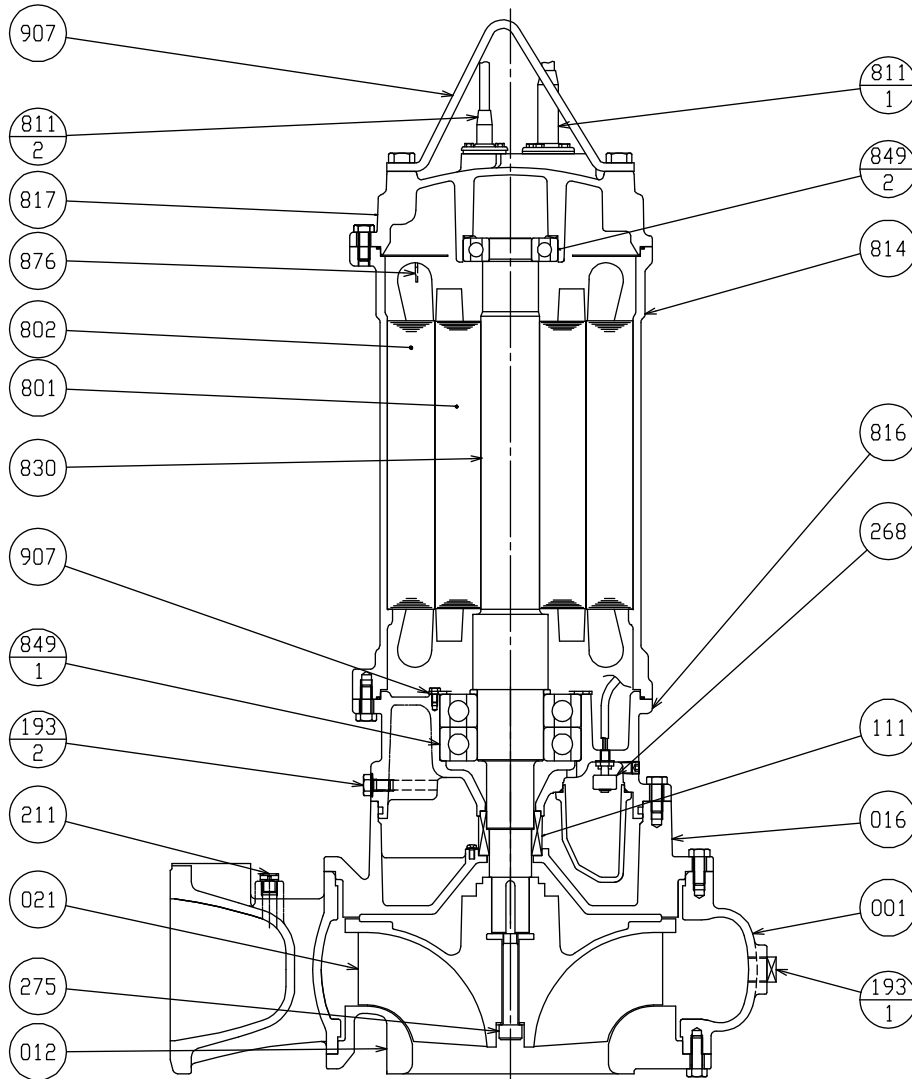
Item Number	Part Name	Material	Qty per unit
001	Pump Casing	FC200 Cast iron	1
012	Suction Cover	FC200 Cast iron	1
016	Mechanical Seal Cover	FC200 Cast iron	1
021	Impeller	FC200 Cast iron	1
111	Mechanical Seal		1
174	Discharge Bend	FC200 Cast iron	1
193	Oil Plug	NBR / SUS304	1 set
268	Leakage Detector		1
275	Impeller Bolt	SUS304 Stainless Steel	1
801	Rotor		1
802	Stator		1

Item Number	Part Name	Material	Qty per unit
811-1	Submersible Cable (Power)		1
811-2	Submersible Cable (Signal)		1
814	Motor Frame	FC200 Cast iron	1
816	Power Side Bracket	FC200 Cast iron	1
817	Opposite Side Bracket	FC200 Cast iron	1
830	Shaft	SUS403 Stainless Steel	1
849-1	Ball Bearing		1
849-2	Ball Bearing		1
876	Thermal Protector		2
904	Lifting Hanger	SS Steel	1
907	Bearing Cover	SPCC Steel	1



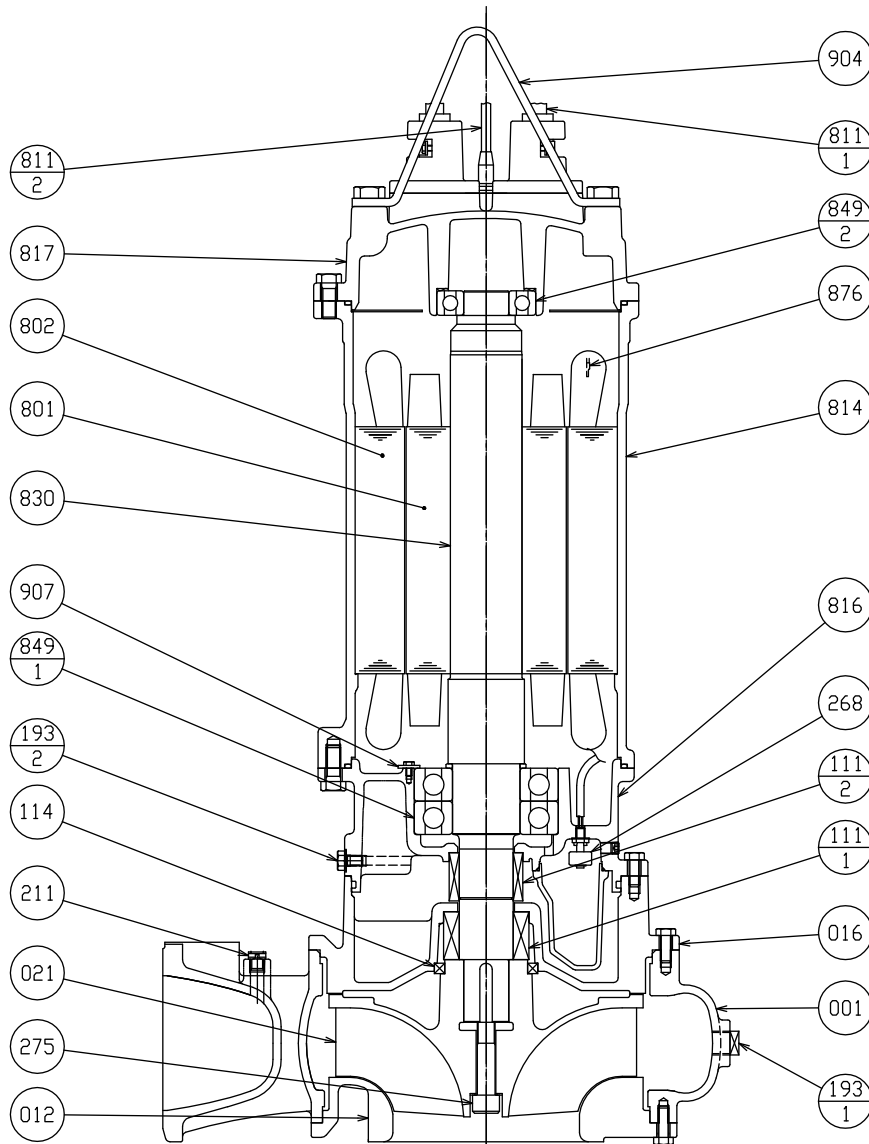
Item Number	Part Name	Material		Qty per unit
001	Pump Casing	FC200	Cast iron	1
012	Suction Cover	FC200	Cast iron	1
016	Mechanical Seal Cover	FC200	Cast iron	1
021	Impeller	FC200	Cast iron	1
111	Mechanical Seal			1
174	Discharge Bend	FC200	Cast iron	1
193	Oil Plug	NBR / SUS304		1 set
268	Leakage Detector			1
275	Impeller Bolt	SUS304	Stainless Steel	1
801	Rotor			1
802	Stator			1

Item Number	Part Name	Material		Qty per unit
811-1	Submersible Cable (Power)			2
811-2	Submersible Cable (Signal)			1
814	Motor Frame	FC200	Cast iron	1
816	Power Side Braket	FC200	Cast iron	1
817	Opposite Side Braket	FC200	Cast iron	1
830	Shaft	SUS403	Stainless Steel	1
849-1	Ball Bearing			1
849-2	Ball Bearing			1
876	Thermal Protector			2
904	Lifting Hanger	SS	Steel	1
907	Bearing Cover	SPCC	Steel	1



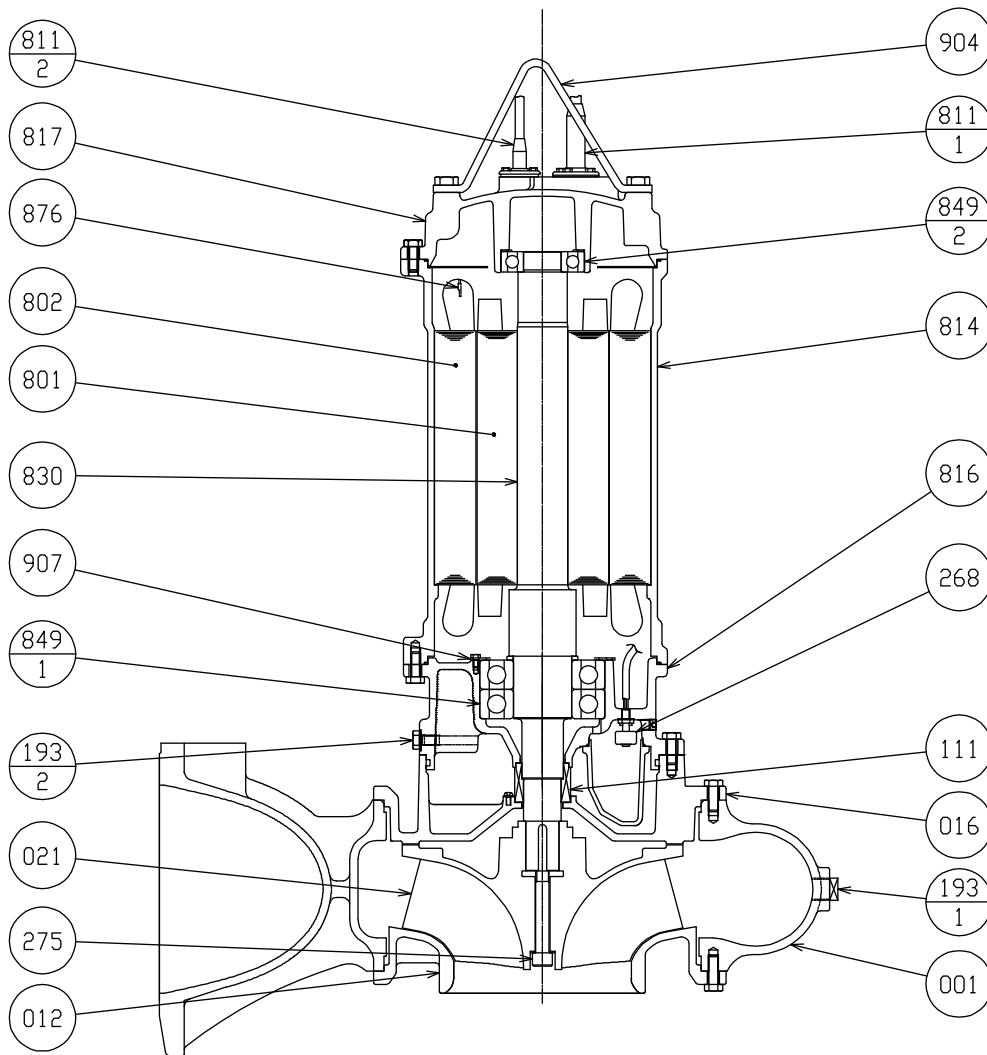
Item Number	Part Name	Material	Qty per unit
001	Pump Casing	FC200 Cast iron	1
012	Suction Cover	FC200 Cast iron	1
016	Mechanical Seal Cover	FC200 Cast iron	1
021	Impeller	FCD400 Cast iron	1
111	Mechanical Seal		1
193-1	Plug	SUS304	2
193-2	Oil Plug	NBR / SUS304	2 set
211	Air Vent Valve	C3604 Brass	1
268	Leakage Detector		1
275	Impeller Bolt	SUS304 Stainless Steel	1
801	Rotor		1

Item Number	Part Name	Material	Qty per unit
802	Stator		1
811-1	Submersible Cable (Power)		2
811-2	Submersible Cable (Signal)		1
814	Motor Frame	FC200 Cast iron	1
816	Power Side Braket	FC200 Cast iron	1
817	Opposite Side Braket	FC200 Cast iron	1
830	Shaft	SUS403 Stainless Steel	1
849-1	Ball Bearing		1
849-2	Ball Bearing		1
876	Thermal Protector		2
904	Lifting Hanger	SS Steel	1
907	Bearing Cover	SPCC Steel	1



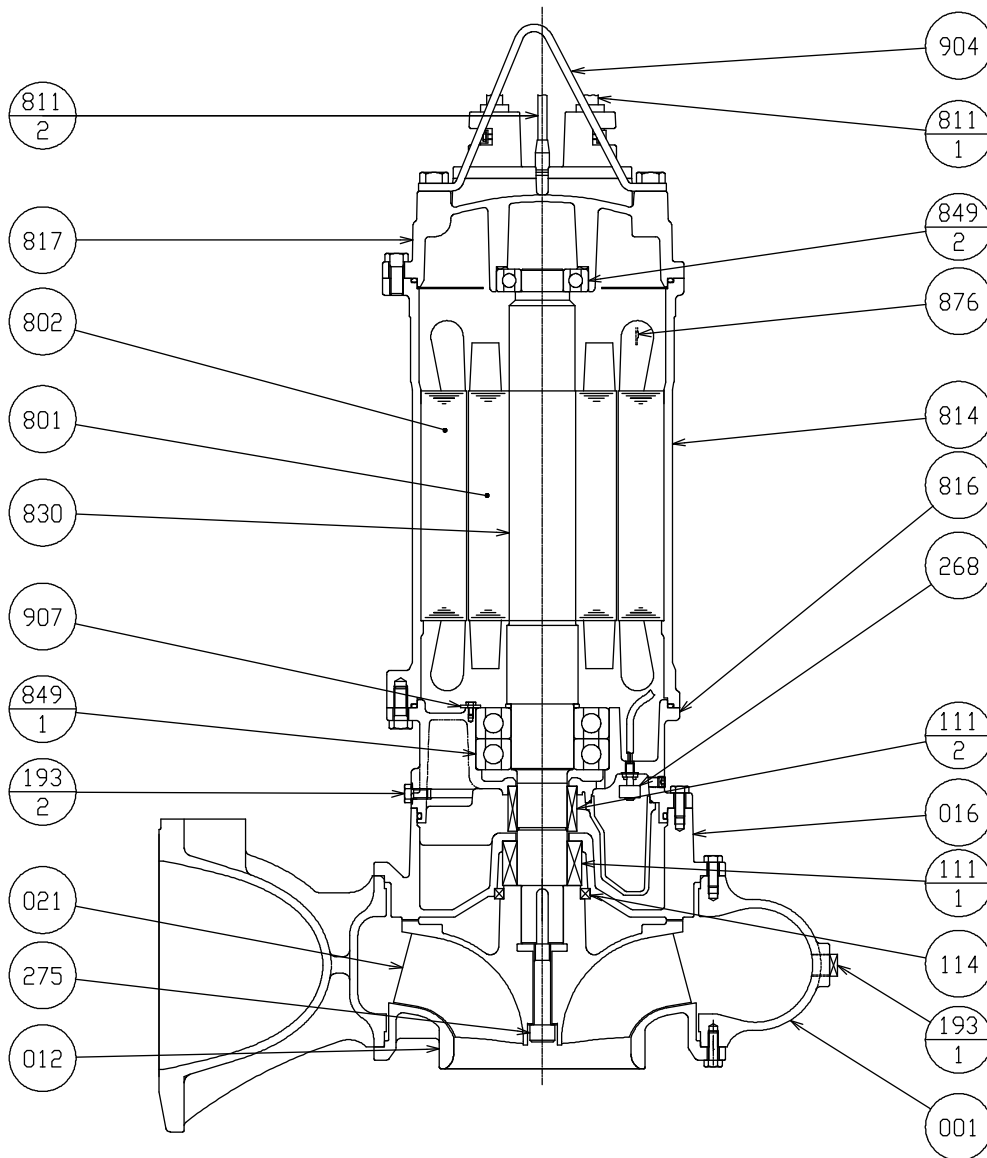
Item Number	Part Name	Material	Qty per unit
001	Pump Casing	FC200 Cast iron	1
012	Suction Cover	FC200 Cast iron	1
016	Mechanical Seal Cover	FC200 Cast iron	1
021	Impeller	FCD400 Cast iron	1
111	Mechanical Seal		1
193-1	Plug	SUS304	2
193-2	Oil Plug	NBR / SUS304	2 set
211	Air Vent Valve	C3604 Brass	1
268	Leakage Detector		1
275	Impeller Bolt	SUS304 Stainless Steel	1
801	Rotor		1

Item Number	Part Name	Material	Qty per unit
802	Stator		1
811-1	Submersible Cable (Power)		2
811-2	Submersible Cable (Signal)		1
814	Motor Frame	FC200 Cast iron	1
816	Power Side Braket	FC200 Cast iron	1
817	Opposite Side Braket	FC200 Cast iron	1
830	Shaft	SUS403 Stainless Steel	1
849-1	Ball Bearing		1
849-2	Ball Bearing		1
876	Thermal Protector		2
904	Lifting Hanger	SS Steel	1
907	Bearing Cover	SPCC Steel	1



Item Number	Part Name	Material	Qty per unit
001	Pump Casing	FC200 Cast iron	1
012	Suction Cover	FC200 Cast iron	1
016	Mechanical Seal Cover	FC200 Cast iron	1
021	Impeller	FCD400 Cast iron	1
111	Mechanical Seal		1
193-1	Plug	SUS304	2
193-2	Oil Plug	NBR / SUS304	2 set
268	Leakage Detector		1
275	Impeller Bolt	SUS304 Stainless Steel	1
801	Rotor		1
802	Stator		1

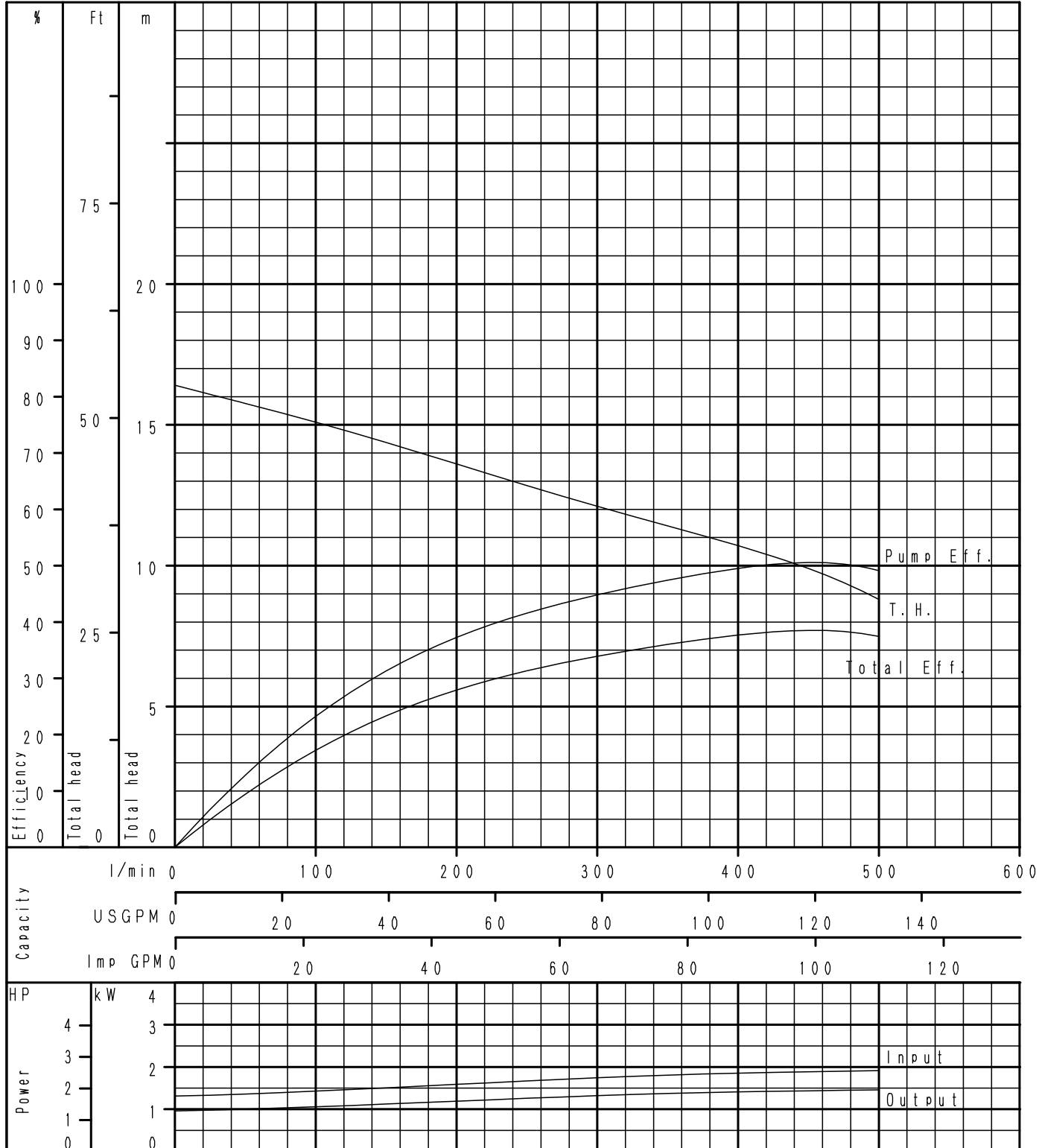
Item Number	Part Name	Material	Qty per unit
811-1	Submersible Cable (Power)		2
811-2	Submersible Cable (Signal)		1
814	Motor Frame	FC200 Cast iron	1
816	Power Side Braket	FC200 Cast iron	1
817	Opposite Side Braket	FC200 Cast iron	1
830	Shaft	SUS403 Stainless Steel	1
849-1	Ball Bearing		1
849-2	Ball Bearing		1
876	Thermal Protector		2
904	Lifting Hanger	SS Steel	1
907	Bearing Cover	SPCC Steel	1



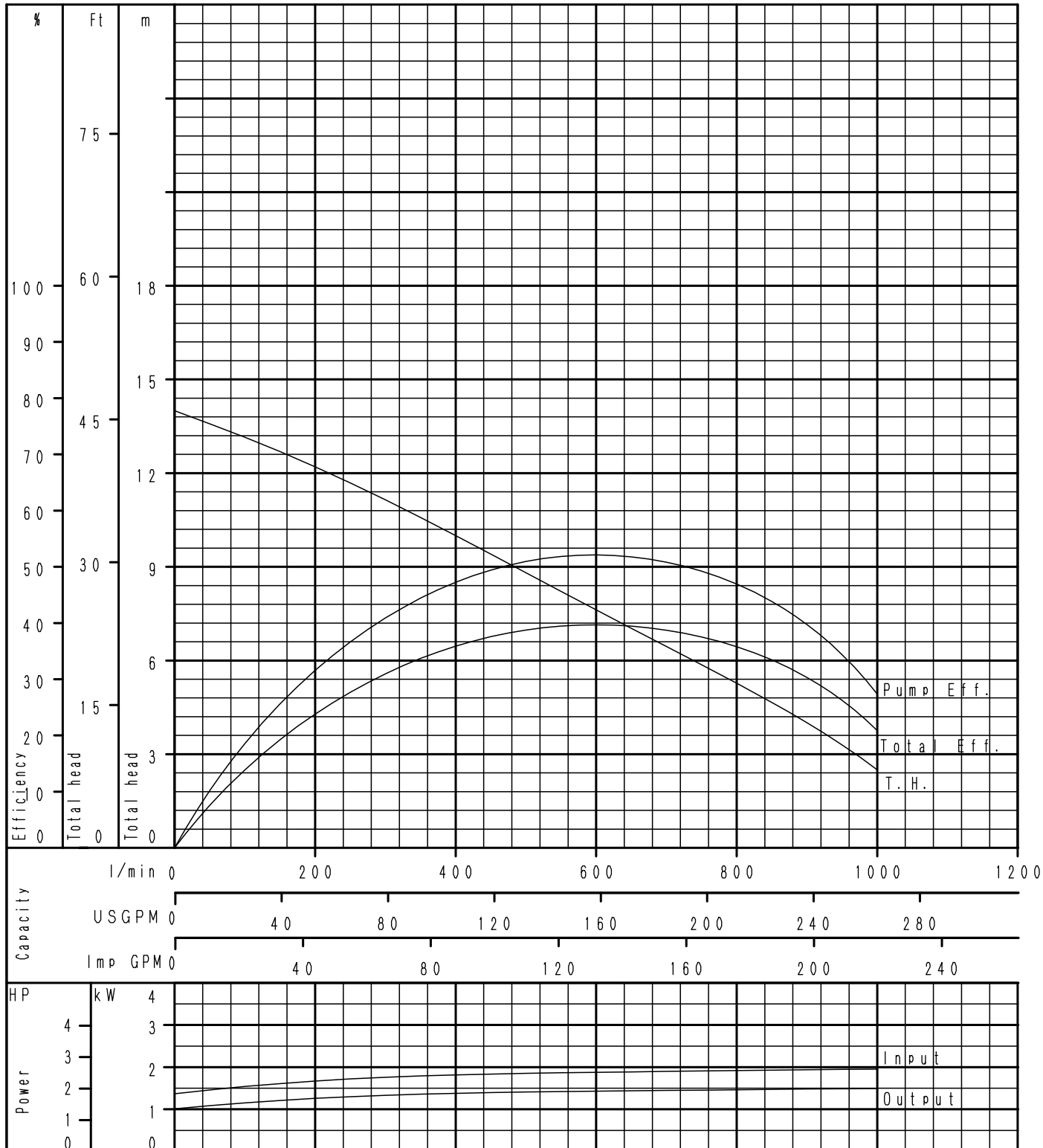
Item Number	Part Name	Material	Qty per unit
001	Pump Casing	FC200 Cast iron	1
012	Suction Cover	FC200 Cast iron	1
016	Mechanical Seal Cover	FC200 Cast iron	1
021	Impeller	FCD400 Cast iron	1
111-1	Mechanical Seal		1
111-2	Mechanical Seal		1
114	Oil Seal	NBR	1
193-1	Plug	SUS304	2
193-2	Oil Plug	NBR / SUS304	2 set
268	Leakage Detector		1
275	Impeller Bolt	SUS304 Stainless Steel	1
801	Rotor		1

Item Number	Part Name	Material	Qty per unit
802	Stator		1
811-1	Submersible Cable (Power)		2
811-2	Submersible Cable (Signal)		1
814	Motor Frame	FC200 Cast iron	1
816	Power Side Braket	FC200 Cast iron	1
817	Opposite Side Braket	FC200 Cast iron	1
830	Shaft	SUS403 Stainless Steel	1
849-1	Ball Bearing		1
849-2	Ball Bearing		1
876	Thermal Protector		2
904	Lifting Hanger	SS Steel	1
907	Bearing Cover	SPCC Steel	1

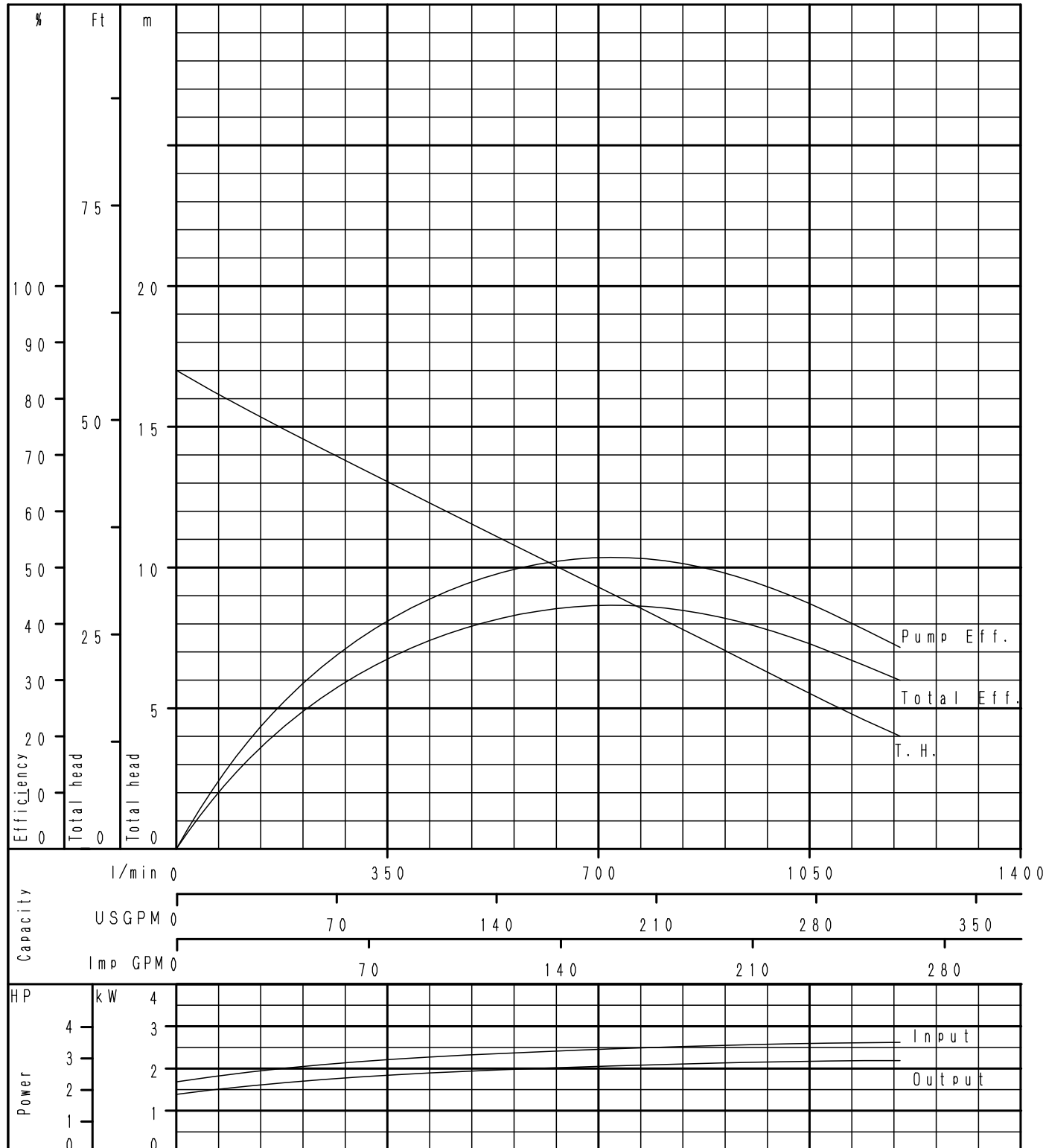
65DL351.5	According to ISO testing code 9906 Grade 3B
50 Hz (Synchronous Speed 1500 min ⁻¹)	Density=1kg/dm ³ Viscosity=1mm ² /s



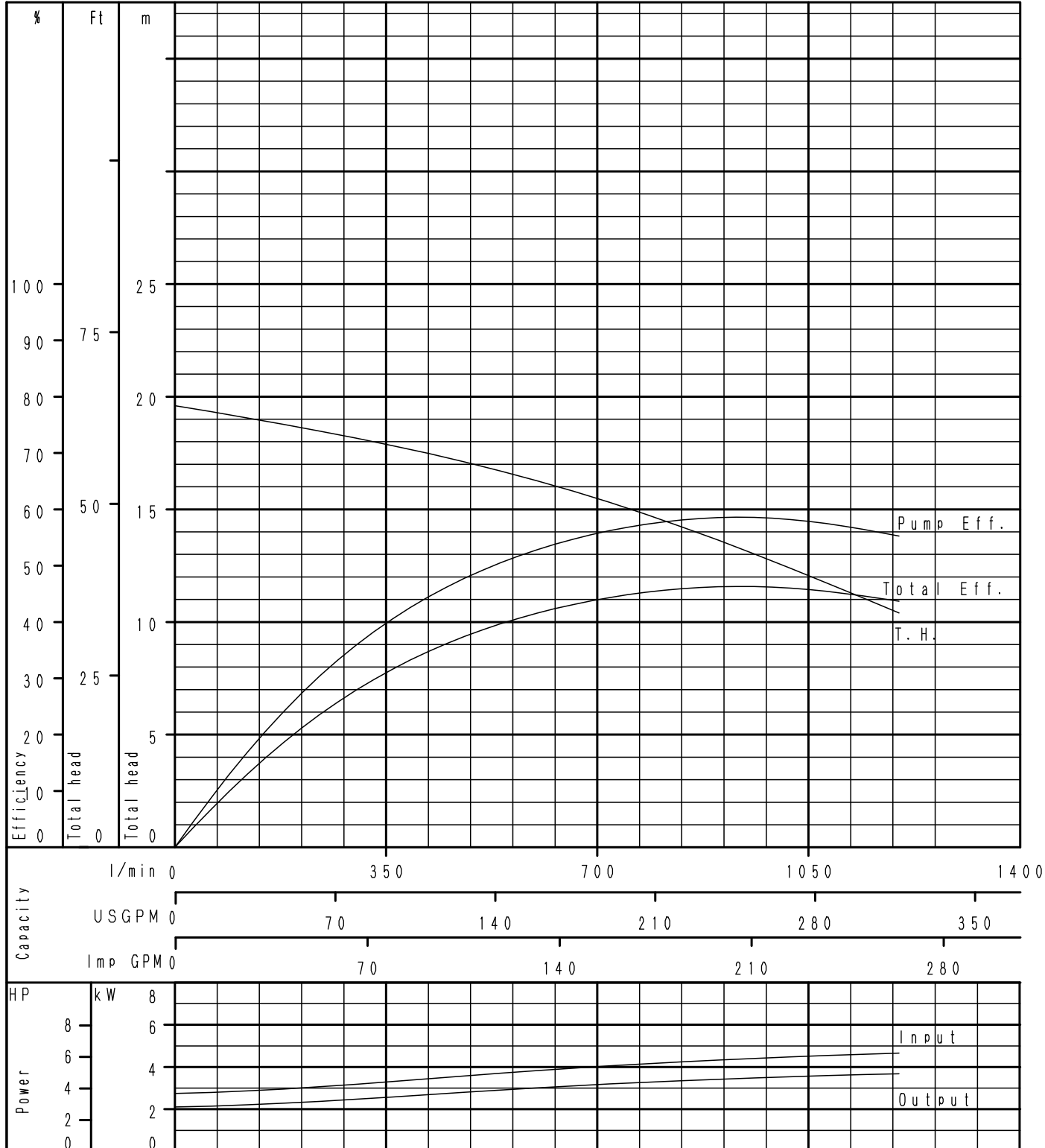
80DL351.5	According to ISO testing code 9906 Grade 3B
50 Hz (Synchronous Speed 1500 min ⁻¹)	Density=1kg/dm ³ Viscosity=1mm ² /s



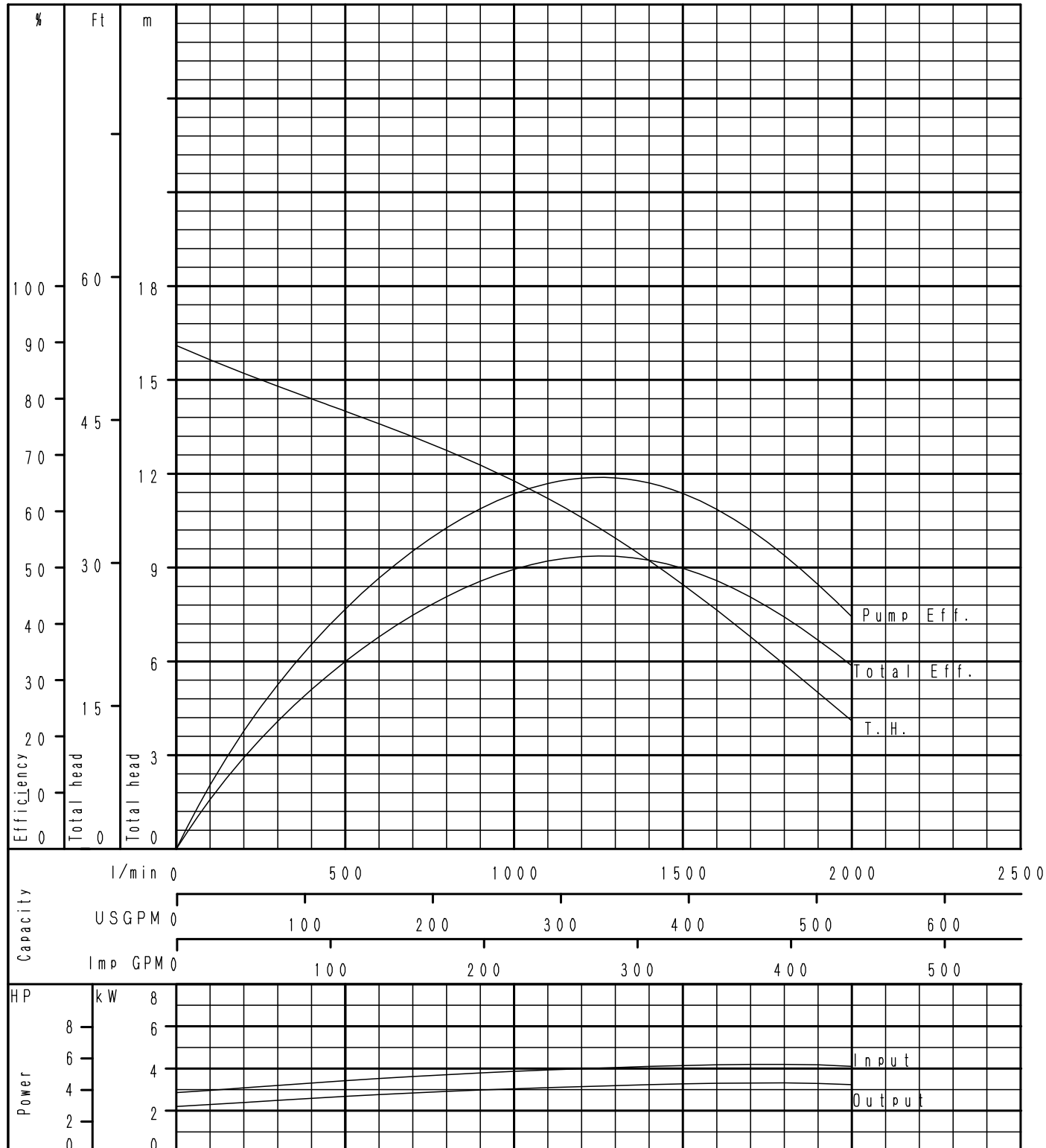
80DL352.2	According to ISO testing code 9906 Grade 3B
50 Hz (Synchronous Speed 1500 min ⁻¹)	Density=1kg/dm ³ Viscosity=1mm ² /s



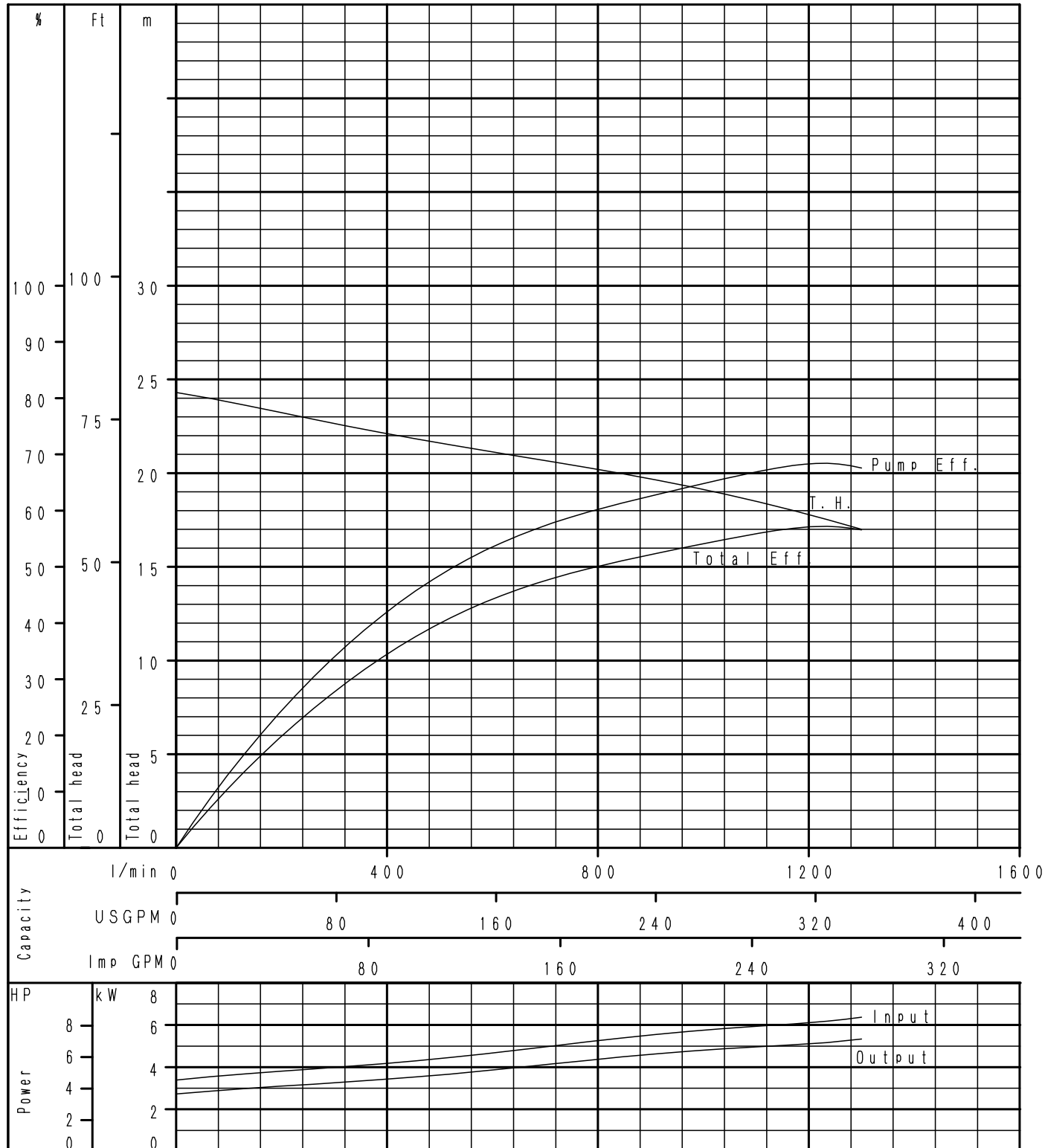
80DL353.7	According to ISO testing code 9906 Grade 3B
50 Hz (Synchronous Speed 1500 min ⁻¹)	Density=1kg/dm ³ Viscosity=1mm ² /s



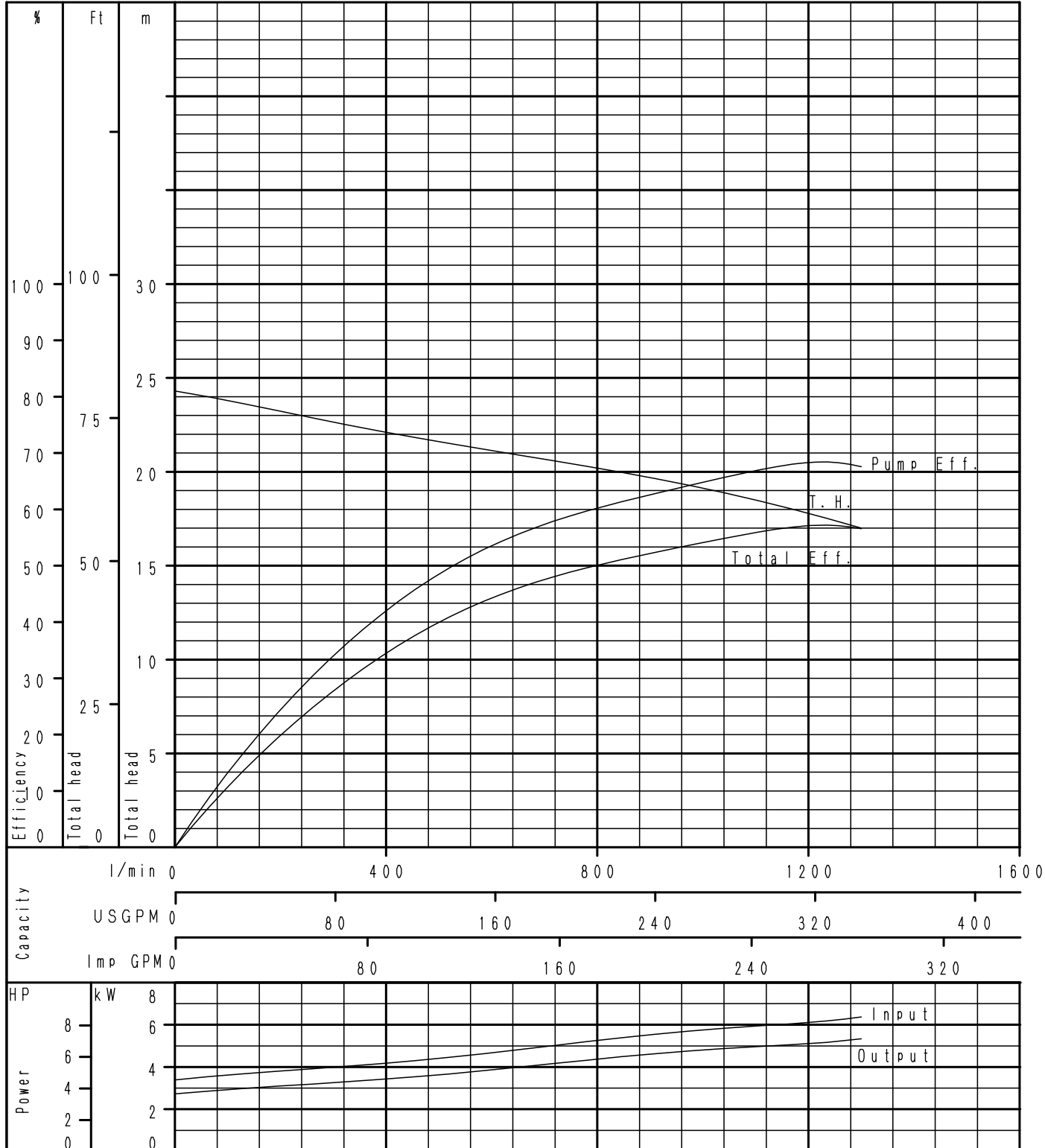
100DL353.7	According to ISO testing code 9906 Grade 3B
50 Hz (Synchronous Speed 1500 min ⁻¹)	Density=1kg/dm ³ Viscosity=1mm ² /s



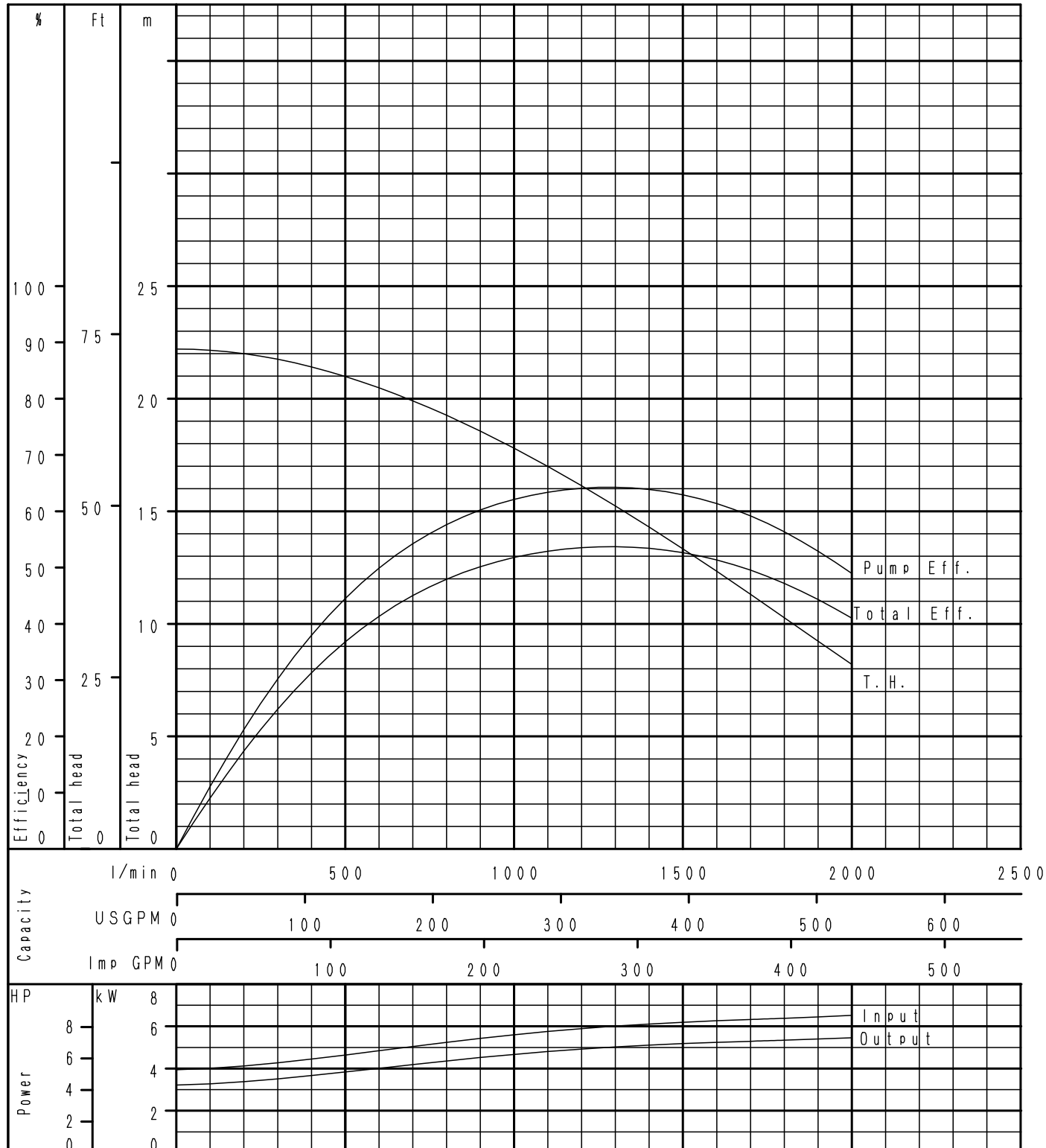
65DLD355.5A	According to ISO testing code 9906 Grade 3B
50 Hz (Synchronous Speed 1500 min ⁻¹)	Density=1kg/dm ³ Viscosity=1mm ² /s



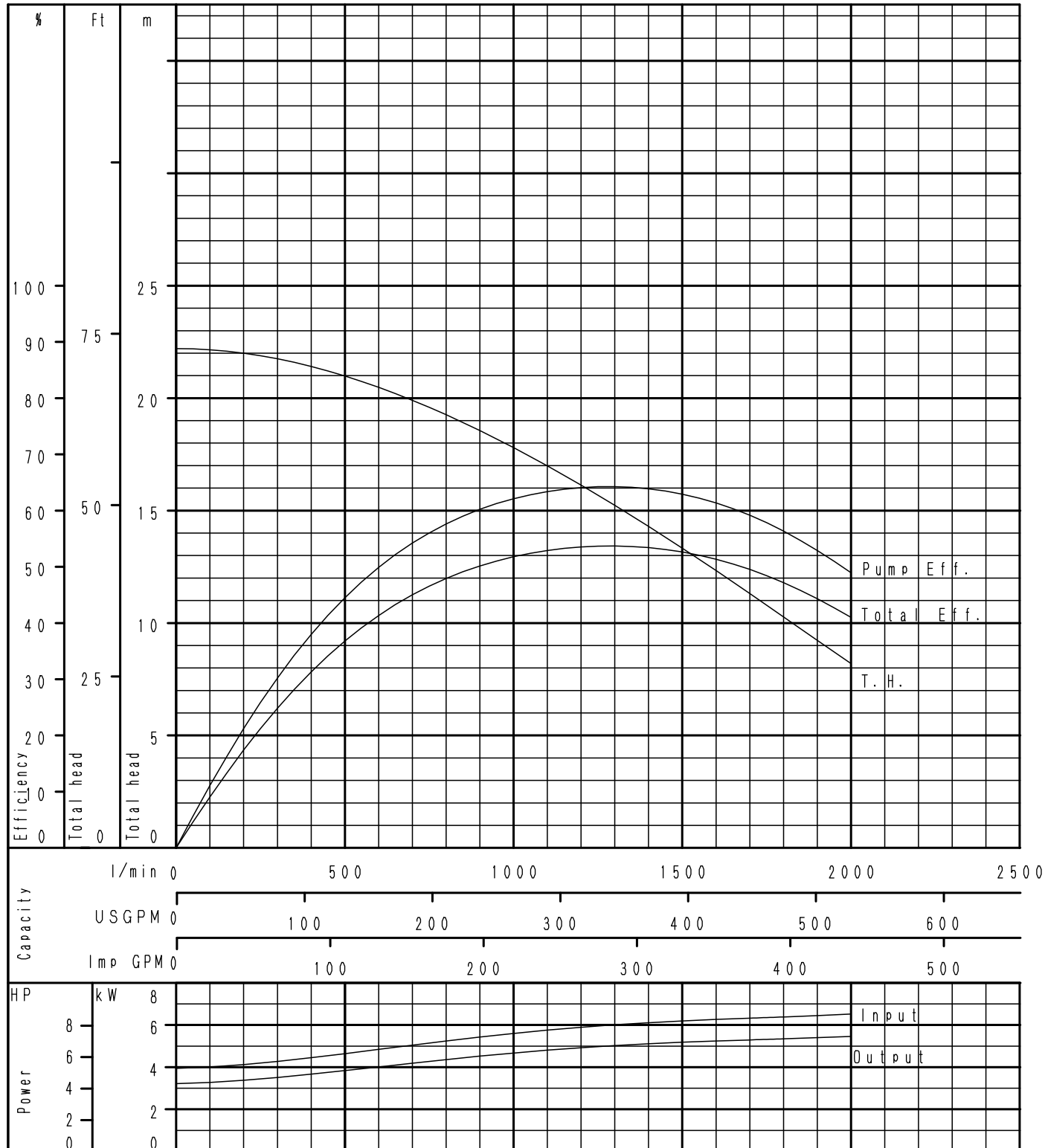
80DL355.5A	According to ISO testing code 9906 Grade 3B
50 Hz (Synchronous Speed 1500 min ⁻¹)	Density=1kg/dm ³ Viscosity=1mm ² /s



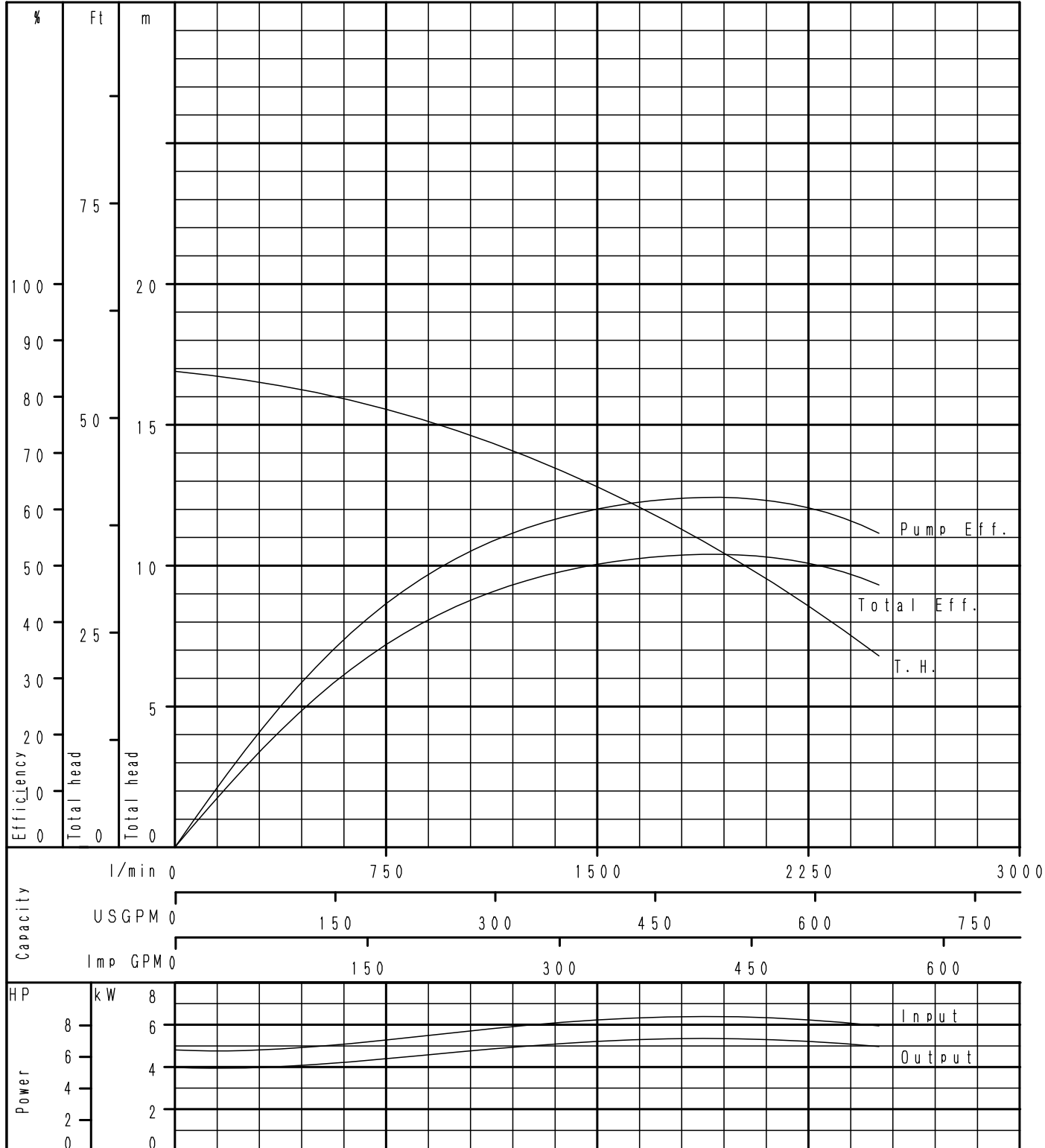
80DLC355.5	According to ISO testing code 9906 Grade 3B
50 Hz (Synchronous Speed 1500 min ⁻¹)	Density=1kg/dm ³ Viscosity=1mm ² /s



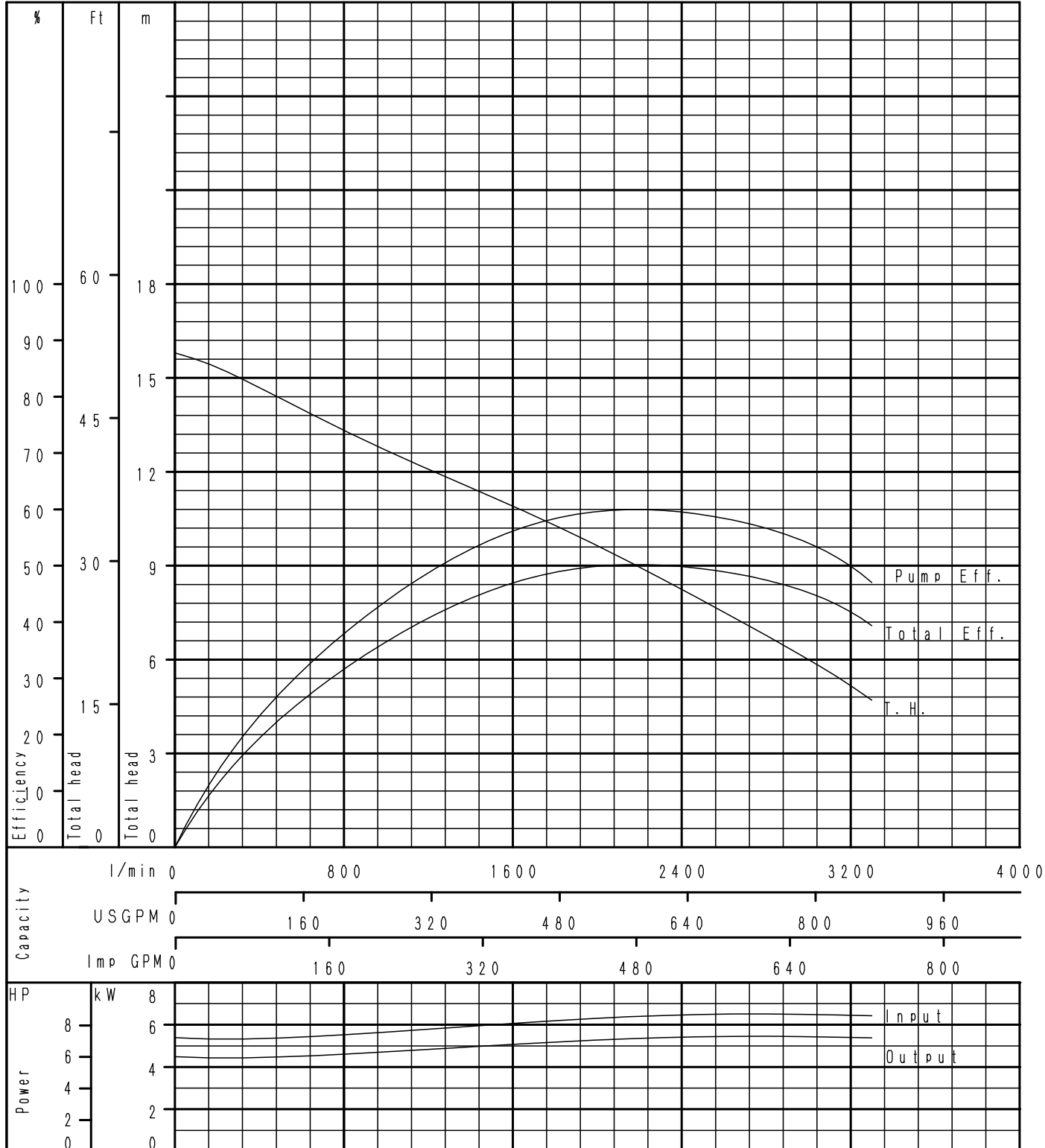
100DLC355.5	According to ISO testing code 9906 Grade 3B
50 Hz (Synchronous Speed 1500 min ⁻¹)	Density=1kg/dm ³ Viscosity=1mm ² /s



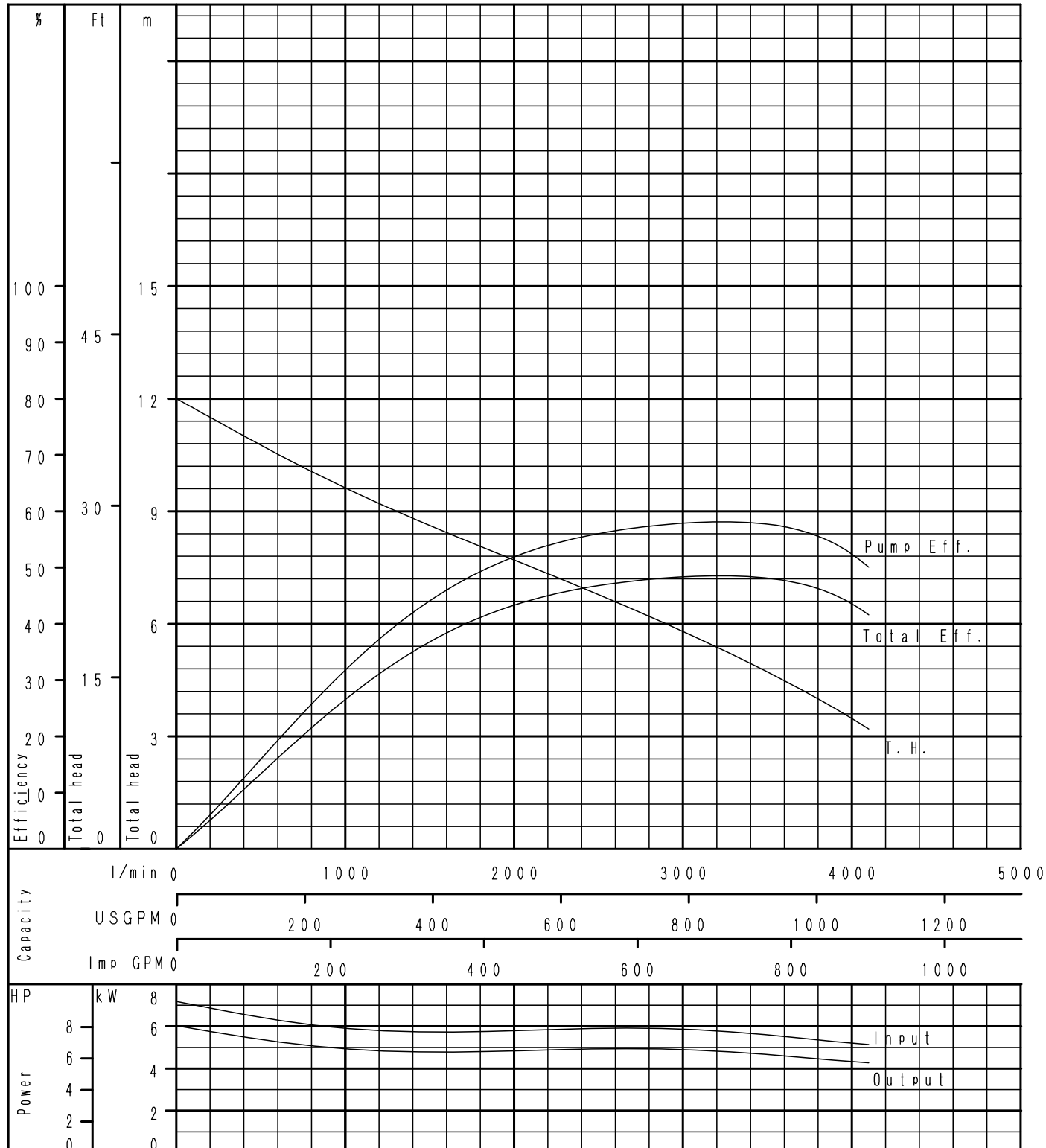
100DLB355.5	According to ISO testing code 9906 Grade 3B
50 Hz (Synchronous Speed 1500 min ⁻¹)	Density=1kg/dm ³ Viscosity=1mm ² /s



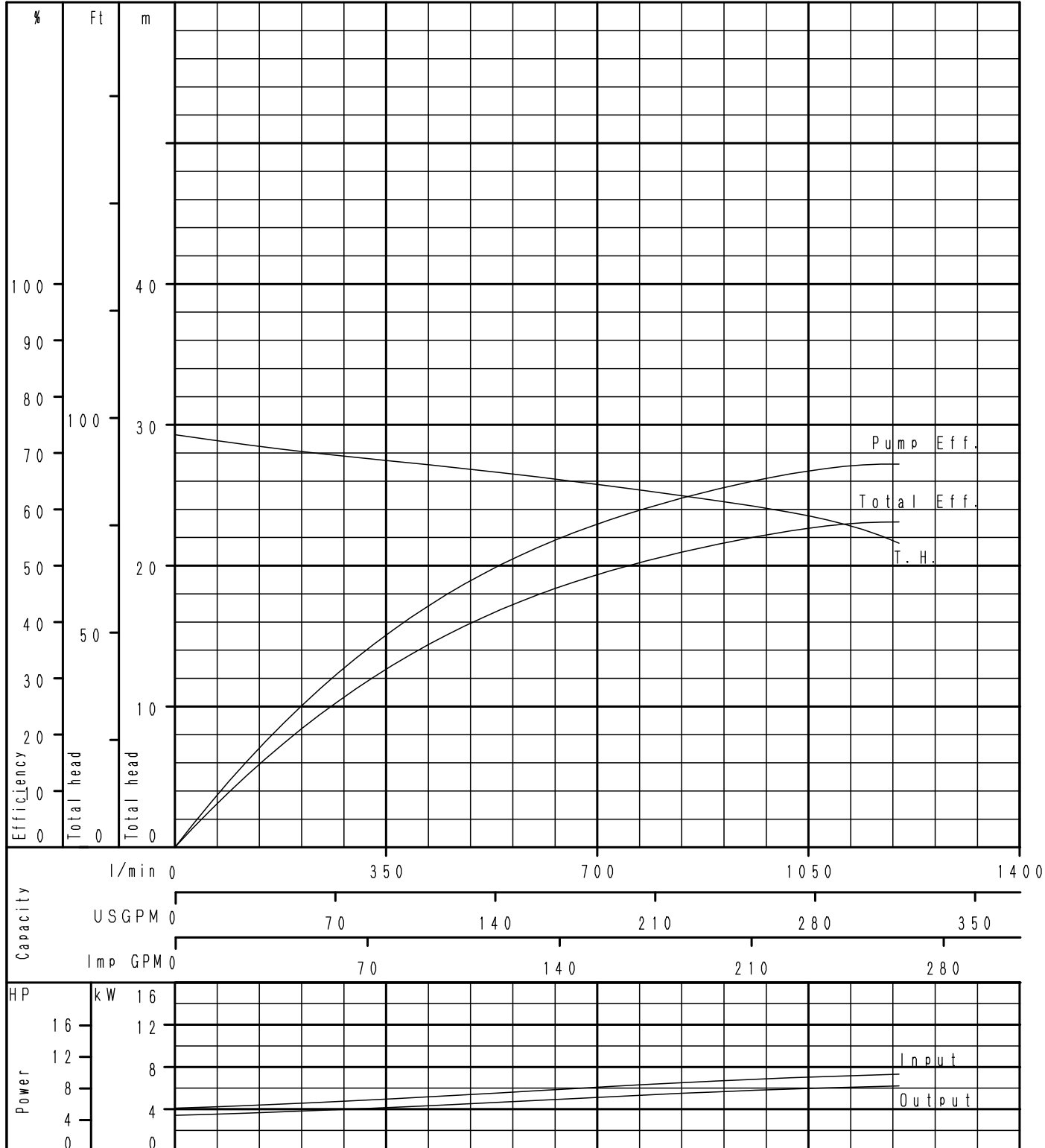
150DL355.5	According to ISO testing code 9906 Grade 3B
50 Hz (Synchronous Speed 1500 min ⁻¹)	Density=1kg/dm ³ Viscosity=1mm ² /s



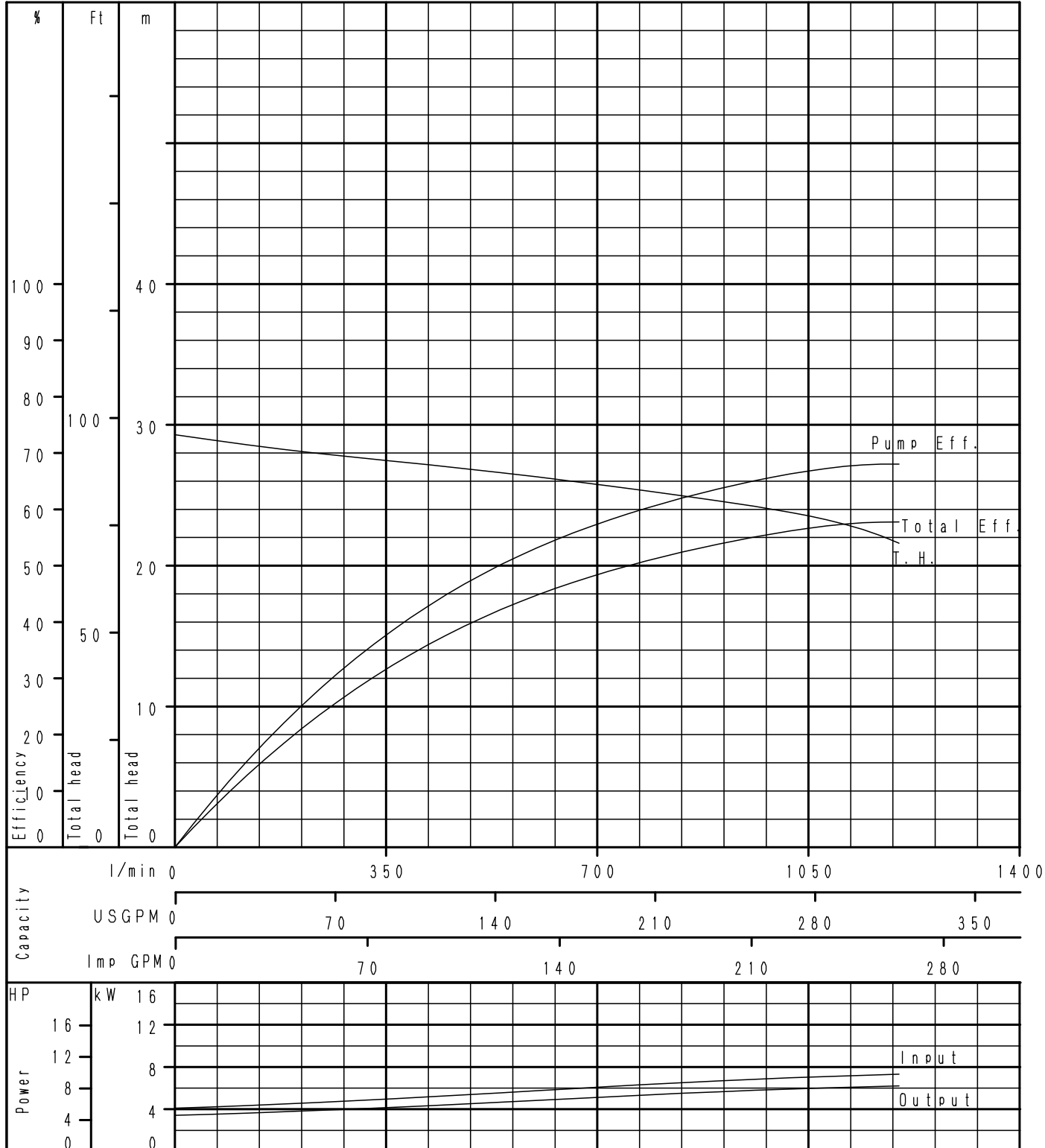
200DL355.5	According to ISO testing code 9906 Grade 3B
50 Hz (Synchronous Speed 1500 min ⁻¹)	Density=1kg/dm ³ Viscosity=1mm ² /s



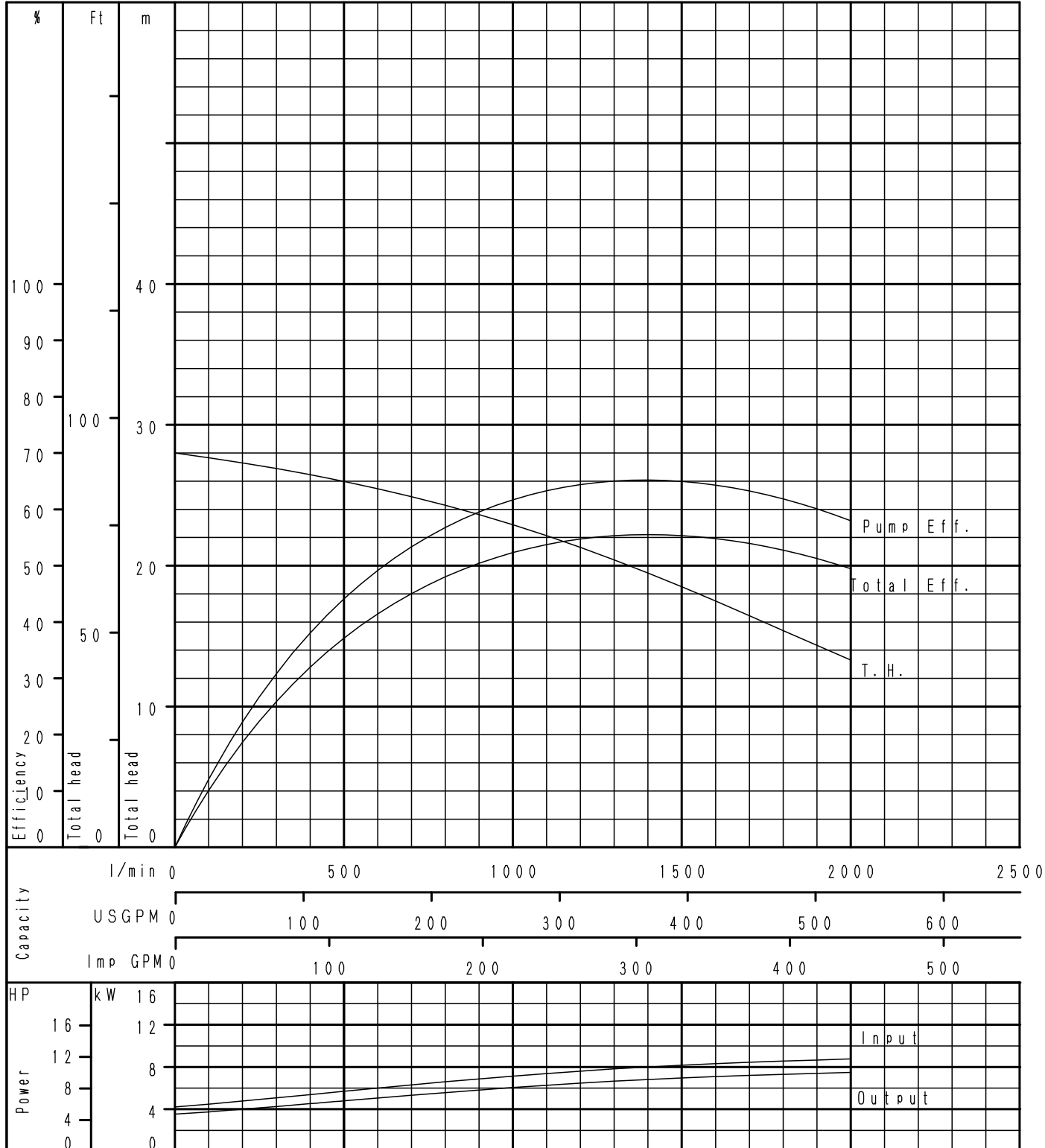
65DLD357.5A	According to ISO testing code 9906 Grade 3B
50 Hz (Synchronous Speed 1500 min ⁻¹)	Density=1kg/dm ³ Viscosity=1mm ² /s



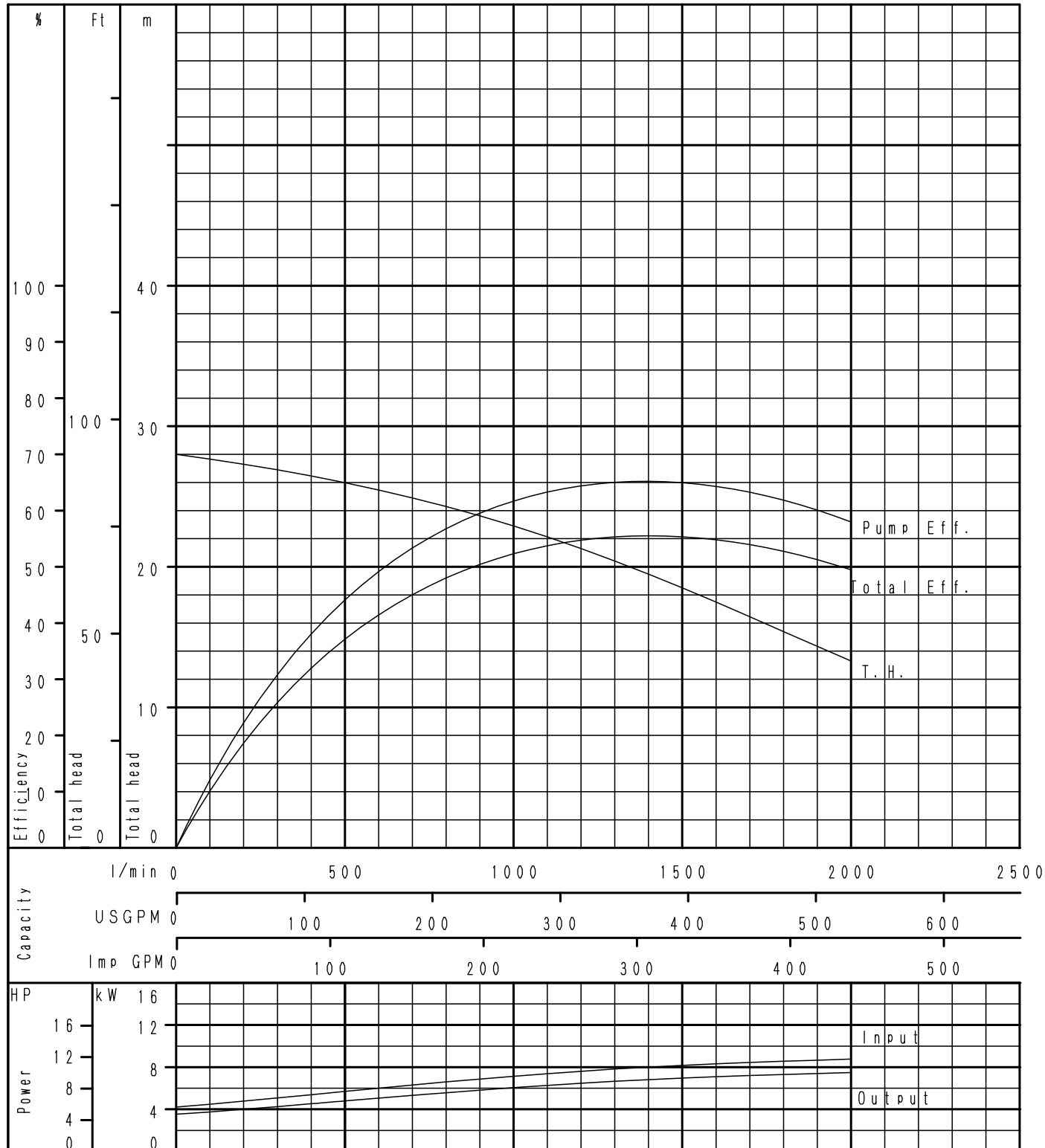
80DL357.5A	According to ISO testing code 9906 Grade 3B
50 Hz (Synchronous Speed 1500 min ⁻¹)	Density=1kg/dm ³ Viscosity=1mm ² /s



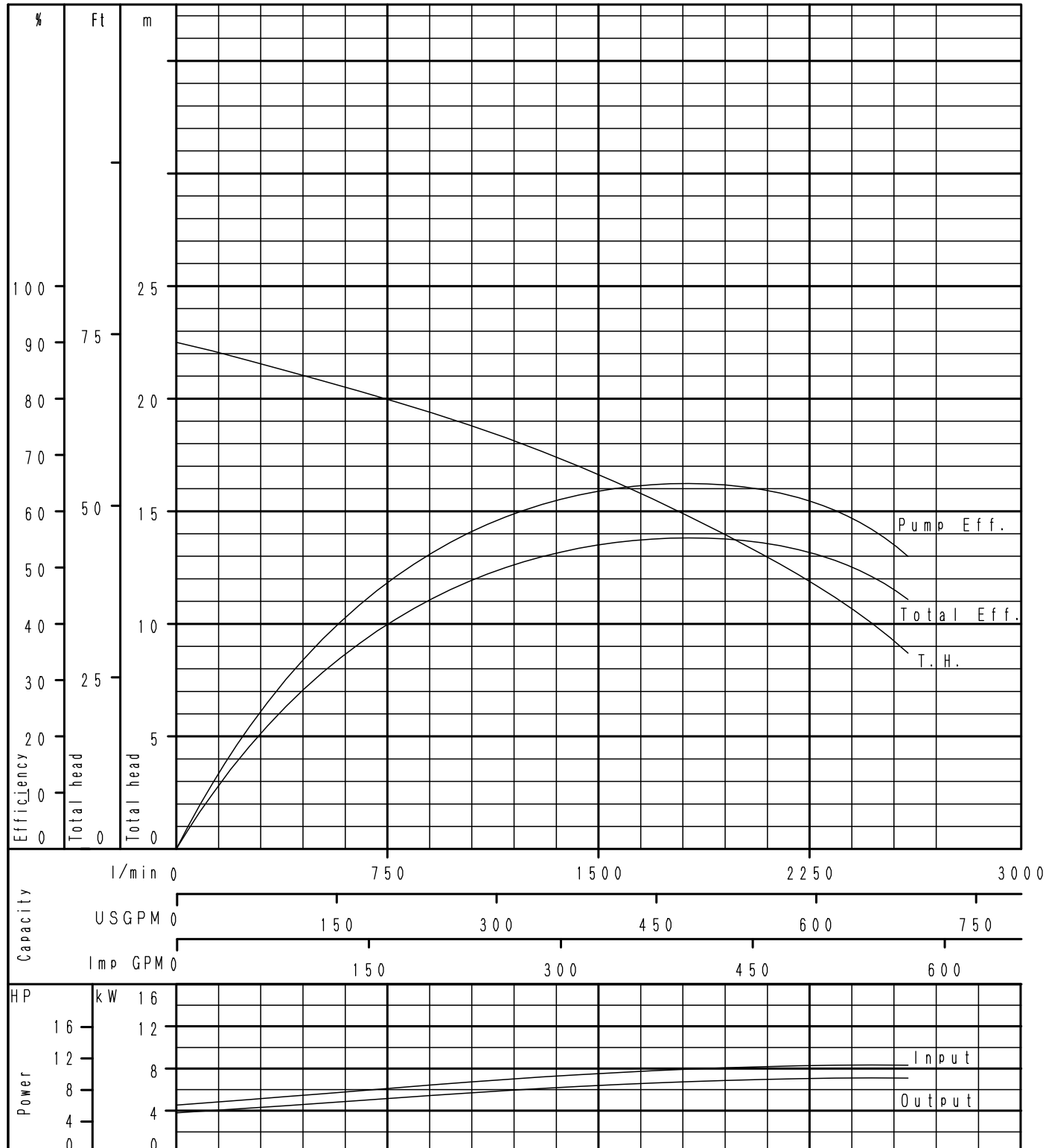
80DLC357.5	According to ISO testing code 9906 Grade 3B
50 Hz (Synchronous Speed 1500 min ⁻¹)	Density=1kg/dm ³ Viscosity=1mm ² /s



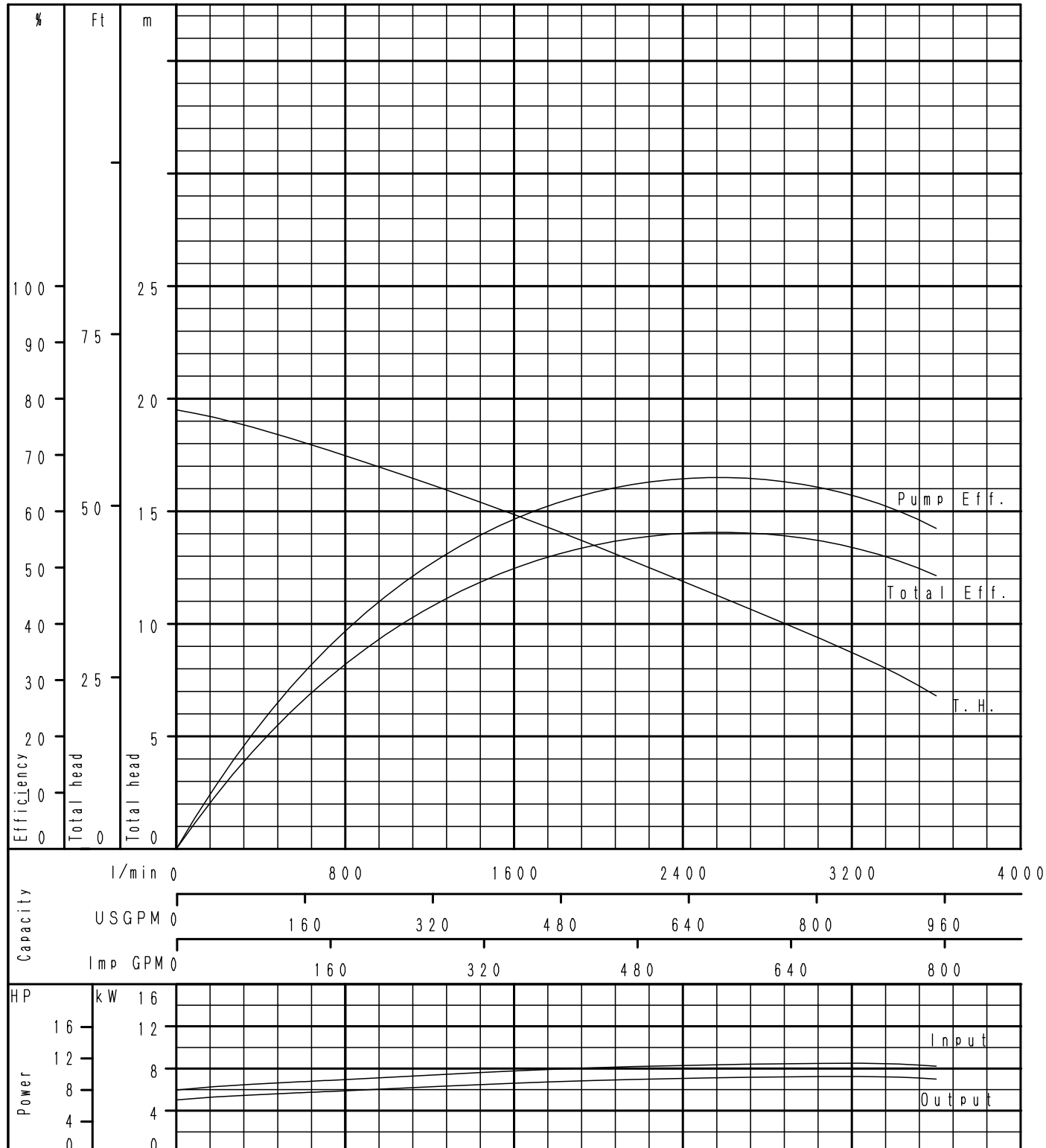
100DLC357.5	According to ISO testing code 9906 Grade 3B
50 Hz (Synchronous Speed 1500 min ⁻¹)	Density=1kg/dm ³ Viscosity=1mm ² /s



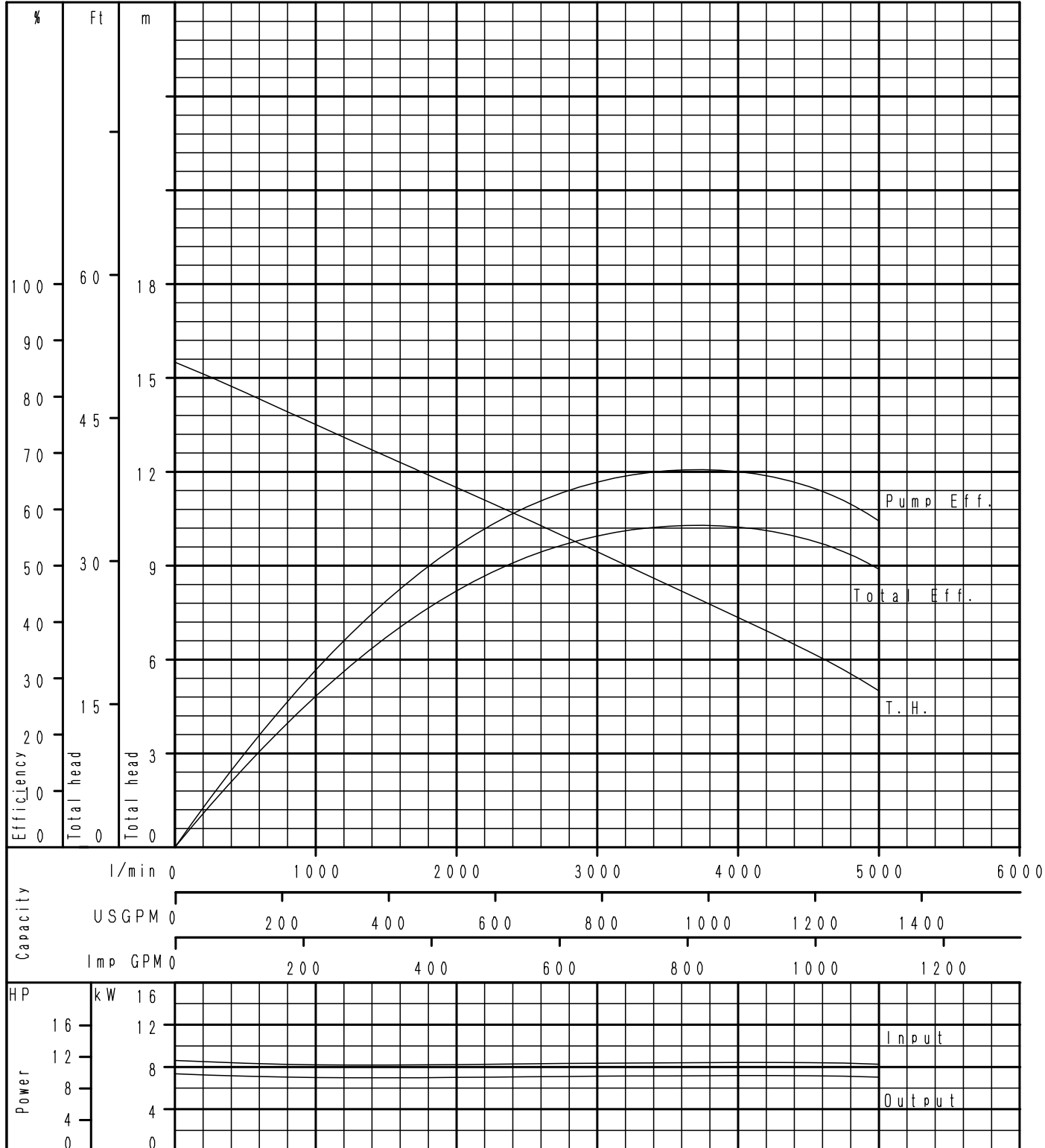
100DLB357.5	According to ISO testing code 9906 Grade 3B
50 Hz (Synchronous Speed 1500 min ⁻¹)	Density=1kg/dm ³ Viscosity=1mm ² /s



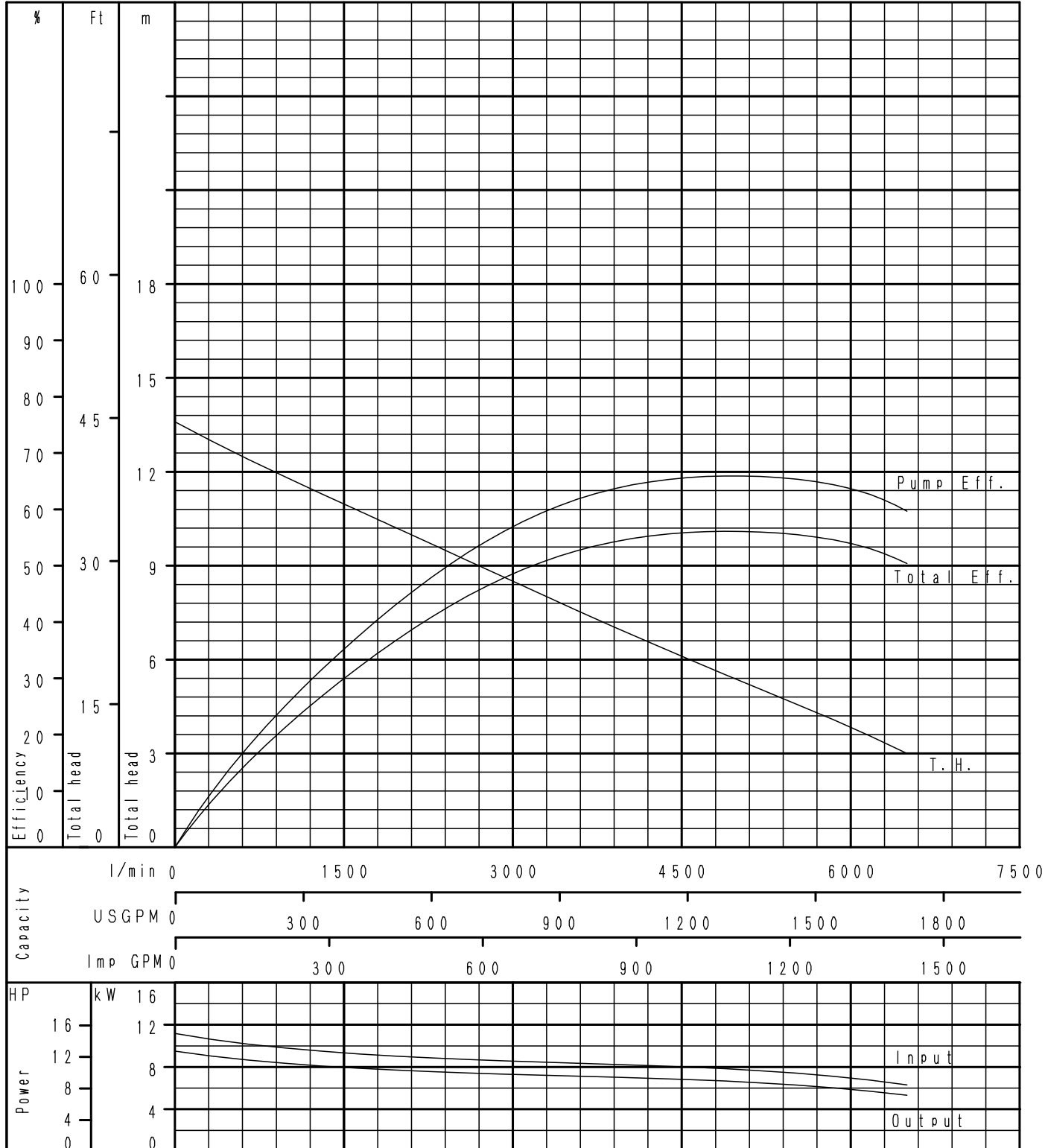
150DL357.5	According to ISO testing code 9906 Grade 3B
50 Hz (Synchronous Speed 1500 min ⁻¹)	Density=1kg/dm ³ Viscosity=1mm ² /s



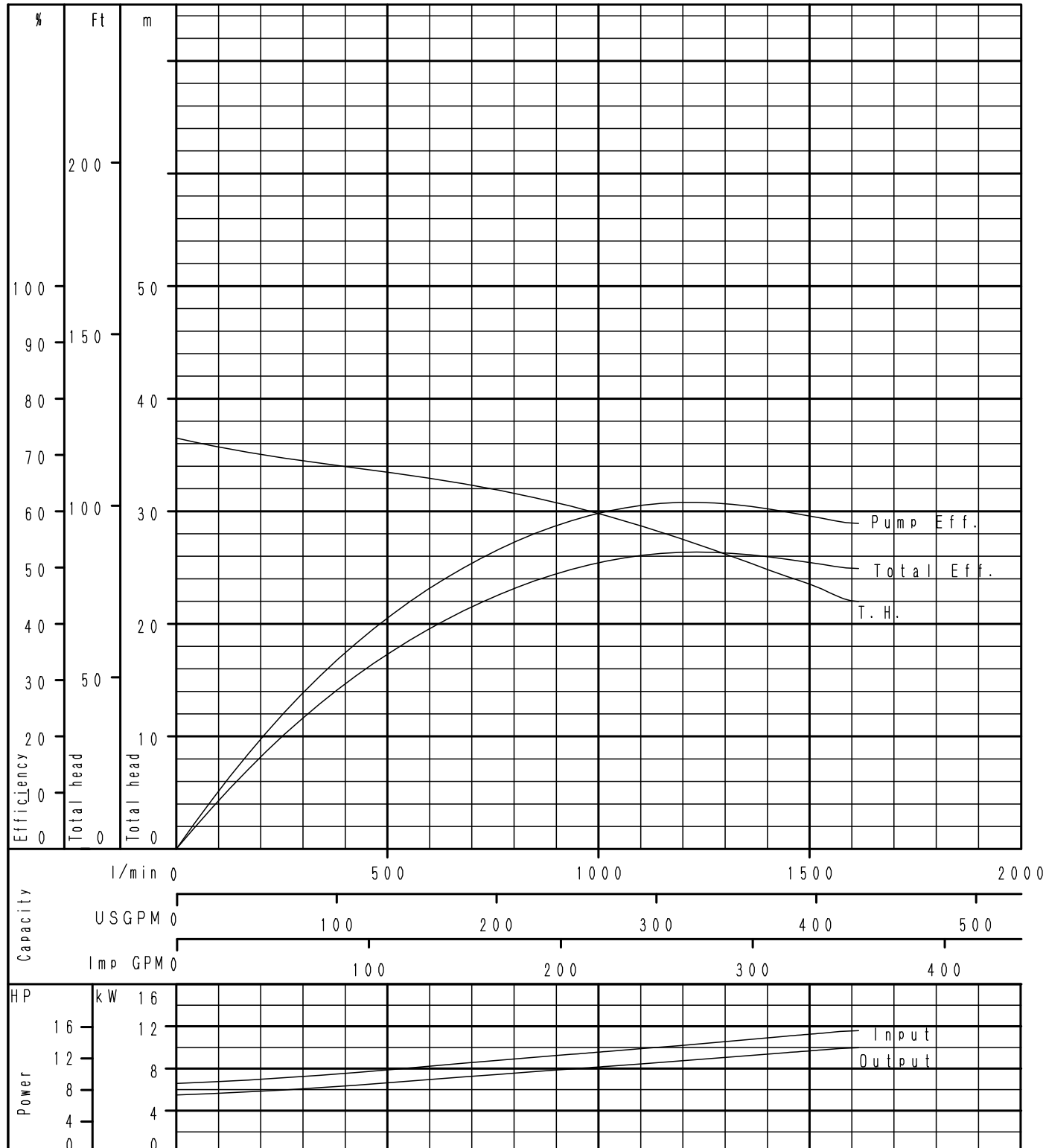
200DL357.5	According to ISO testing code 9906 Grade 3B
50 Hz (Synchronous Speed 1500 min ⁻¹)	Density=1kg/dm ³ Viscosity=1mm ² /s



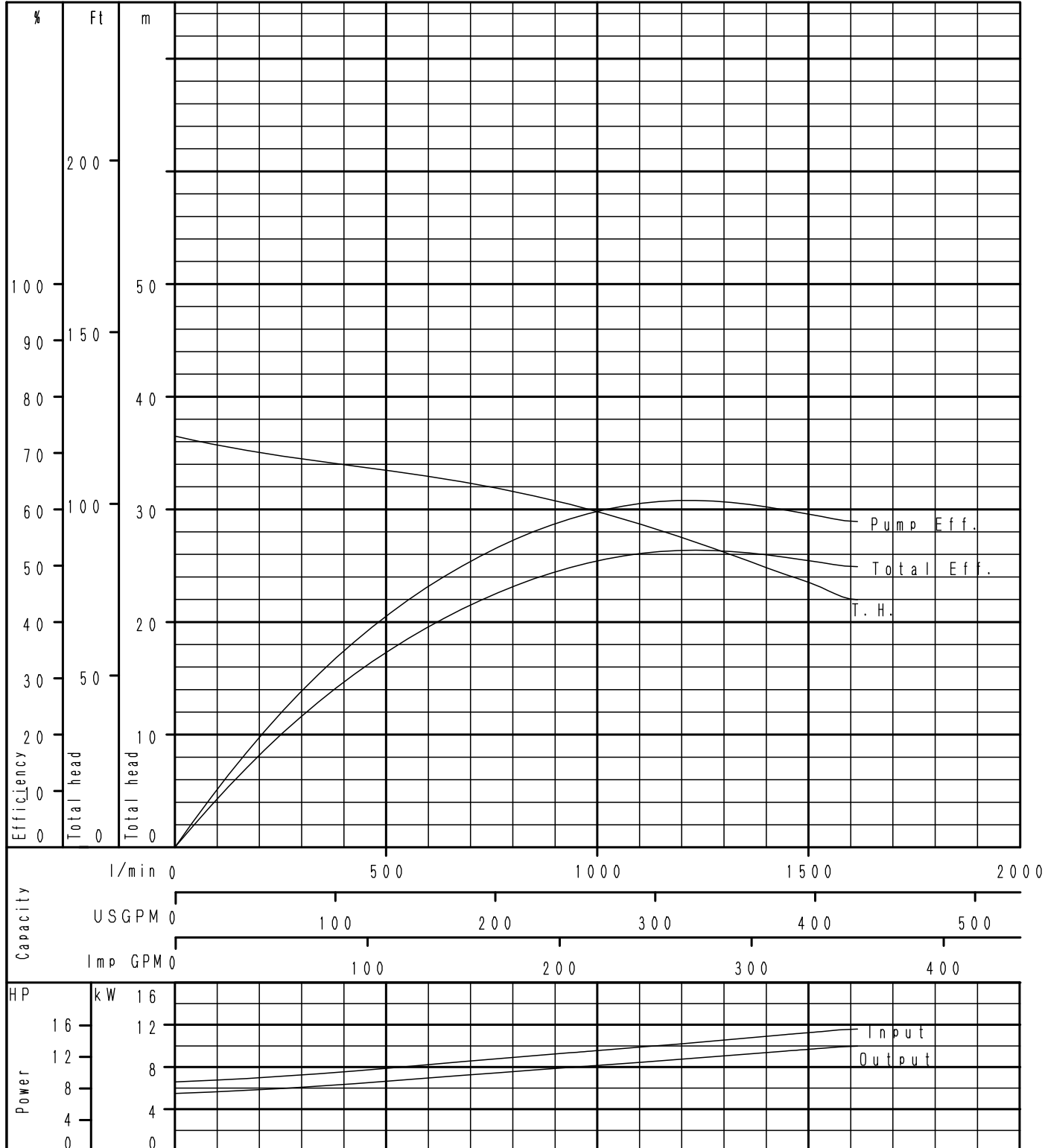
250DL357.5	According to ISO testing code 9906 Grade 3B
50 Hz (Synchronous Speed 1500 min ⁻¹)	Density=1kg/dm ³ Viscosity=1mm ² /s



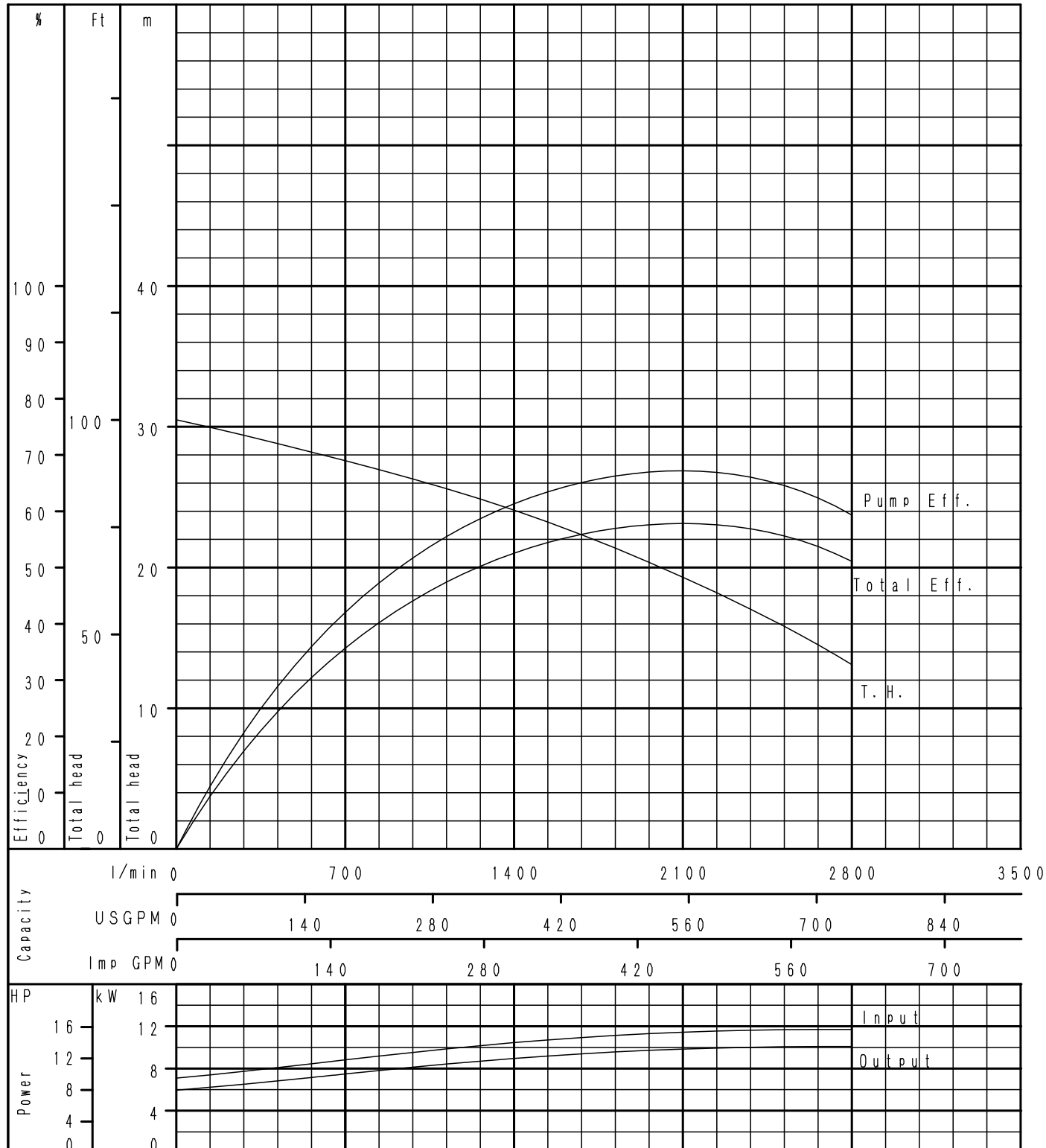
65DL3511A	According to ISO testing code 9906 Grade 3B
50 Hz (Synchronous Speed 1500 min ⁻¹)	Density=1kg/dm ³ Viscosity=1mm ² /s



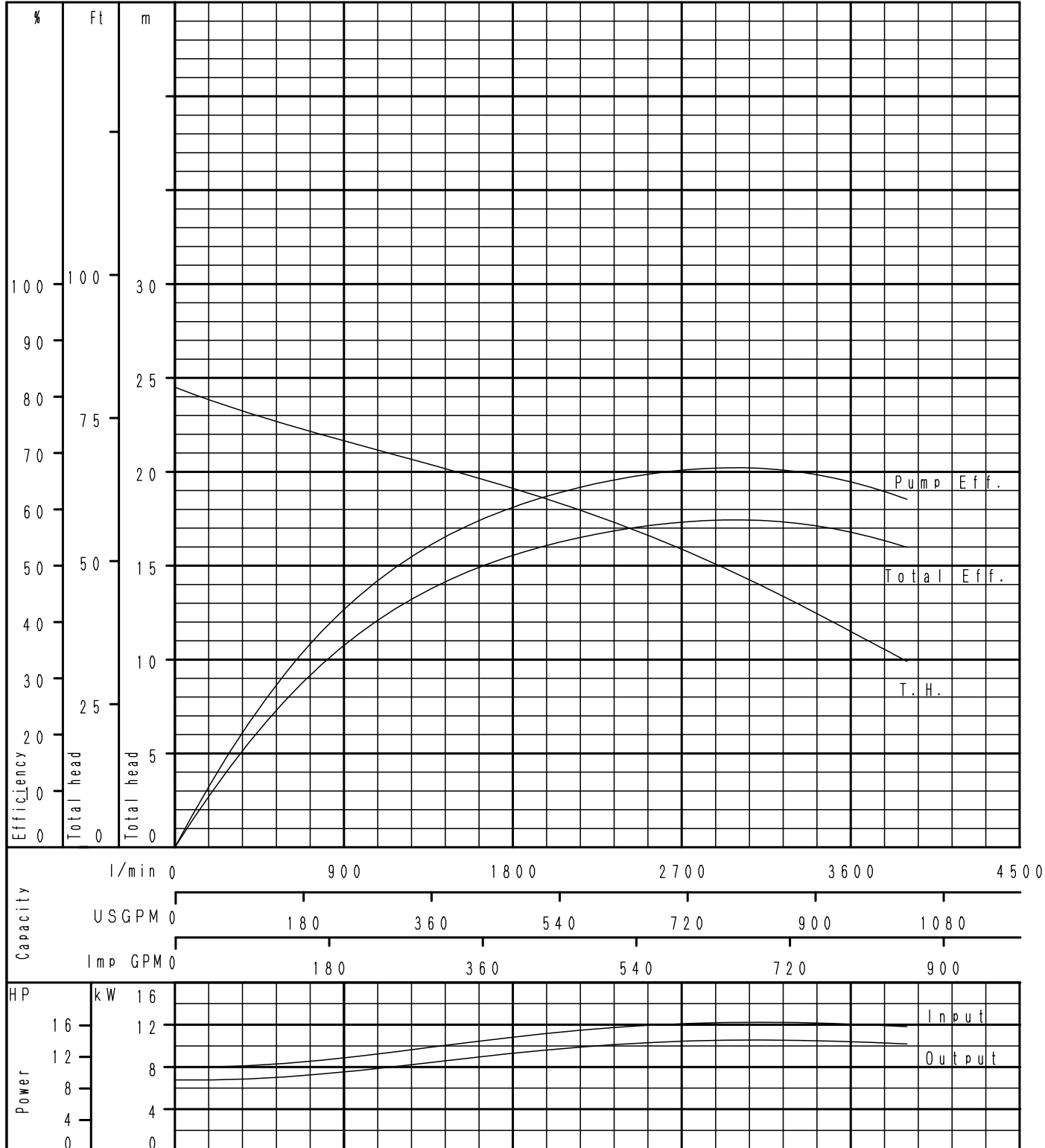
80DL3511A	According to ISO testing code 9906 Grade 3B
50 Hz (Synchronous Speed 1500 min ⁻¹)	Density=1kg/dm ³ Viscosity=1mm ² /s



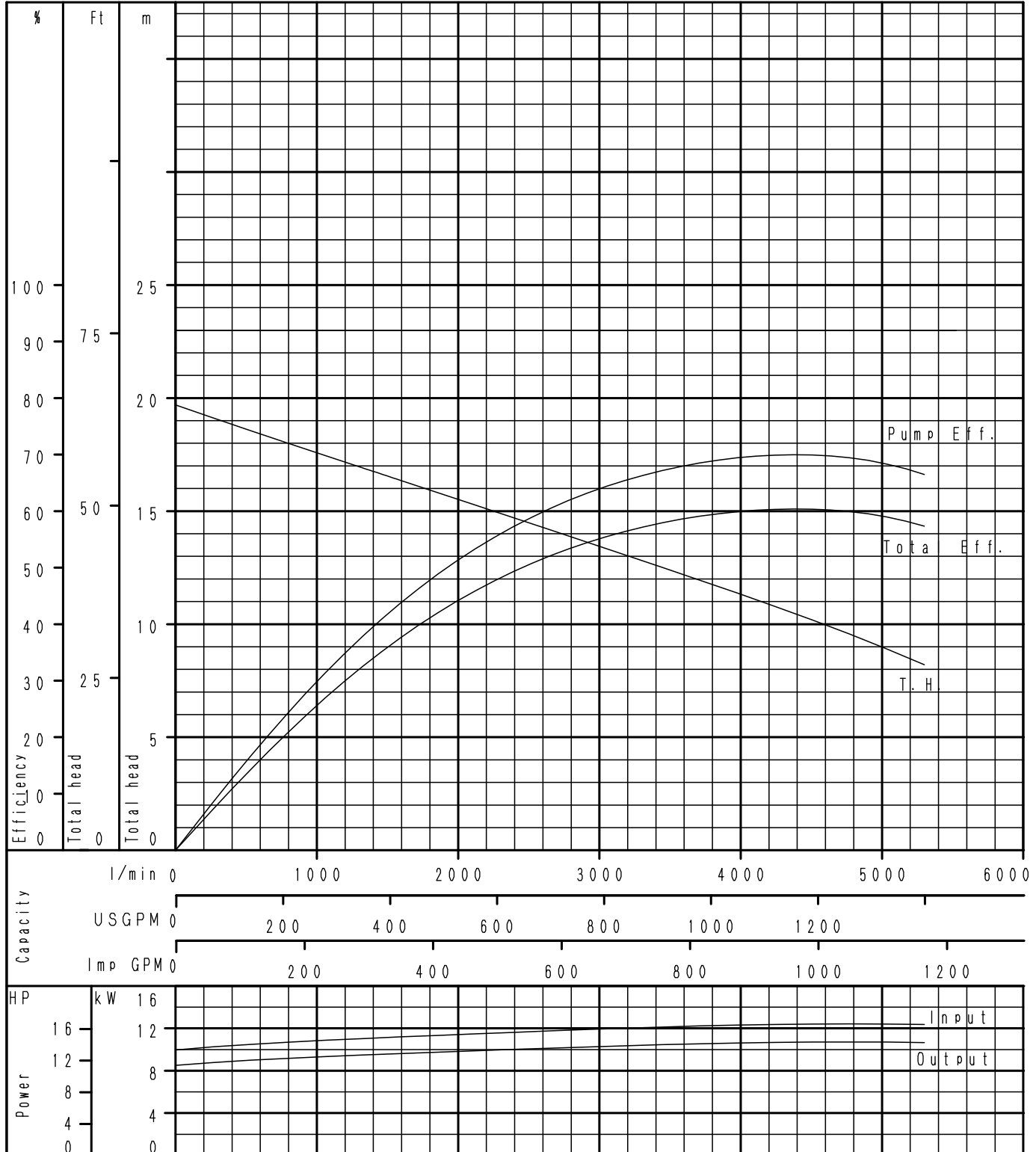
100DL3511	According to ISO testing code 9906 Grade 3B
50 Hz (Synchronous Speed 1500 min ⁻¹)	Density=1kg/dm ³ Viscosity=1mm ² /s



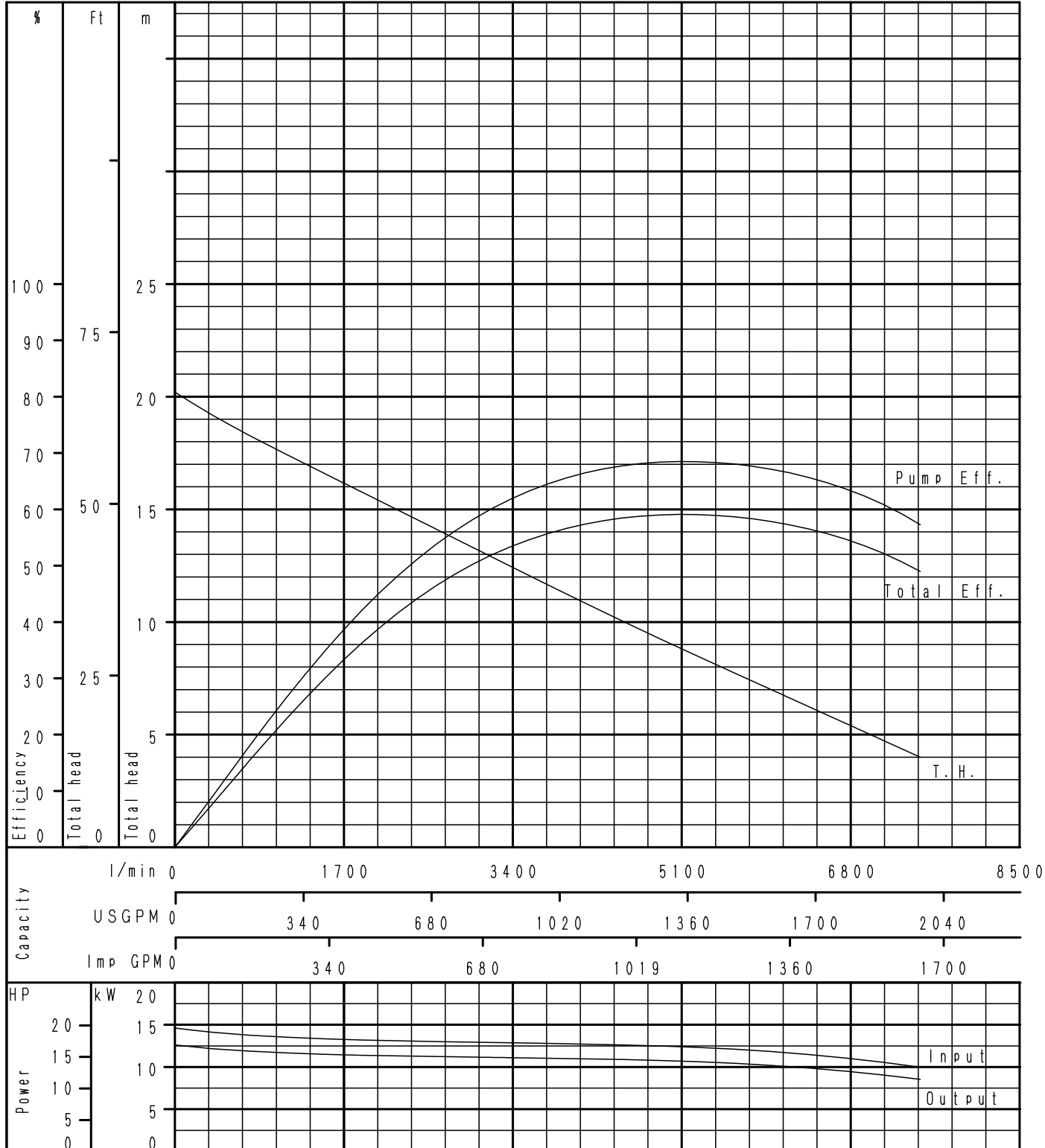
150DL3511	According to ISO testing code 9906 Grade 3B
50 Hz (Synchronous Speed 1500 min ⁻¹)	Density=1kg/dm ³ Viscosity=1mm ² /s



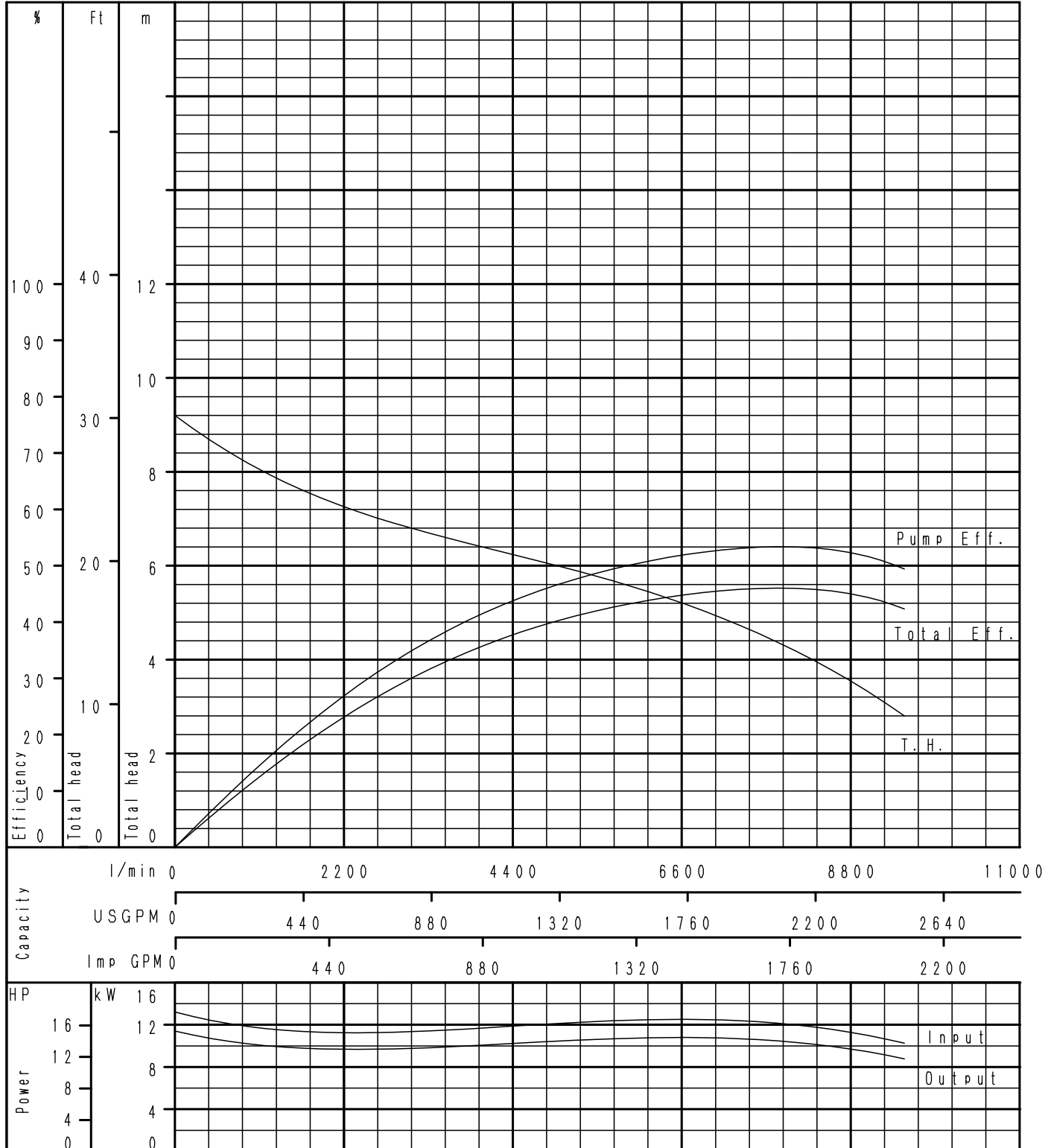
200DL3511	According to ISO testing code 9906 Grade 3B
50 Hz (Synchronous Speed 1500 min ⁻¹)	Density=1kg/dm ³ Viscosity=1mm ² /s



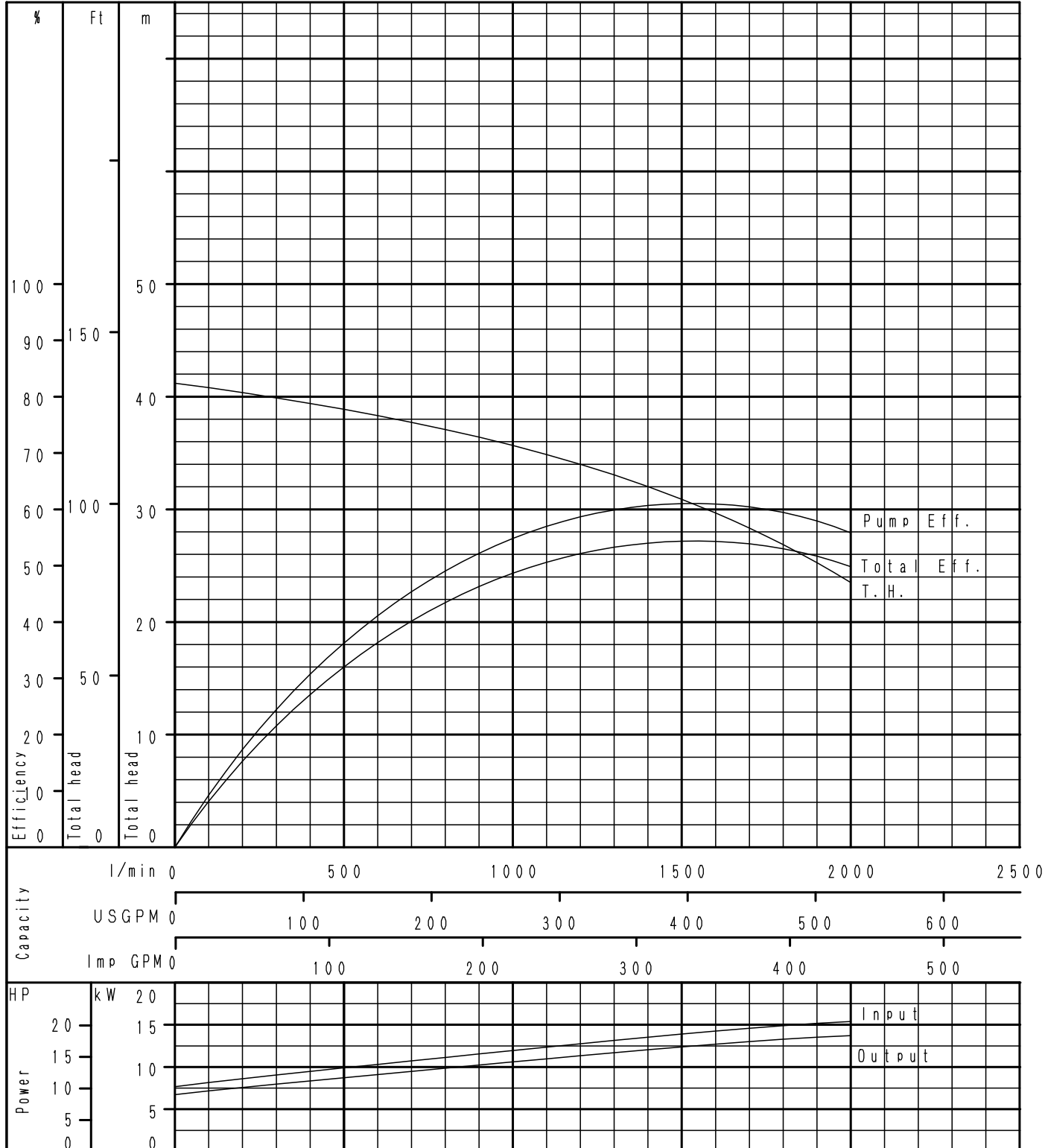
250DL3511	According to ISO testing code 9906 Grade 3B
50 Hz (Synchronous Speed 1500 min ⁻¹)	Density=1kg/dm ³ Viscosity=1mm ² /s



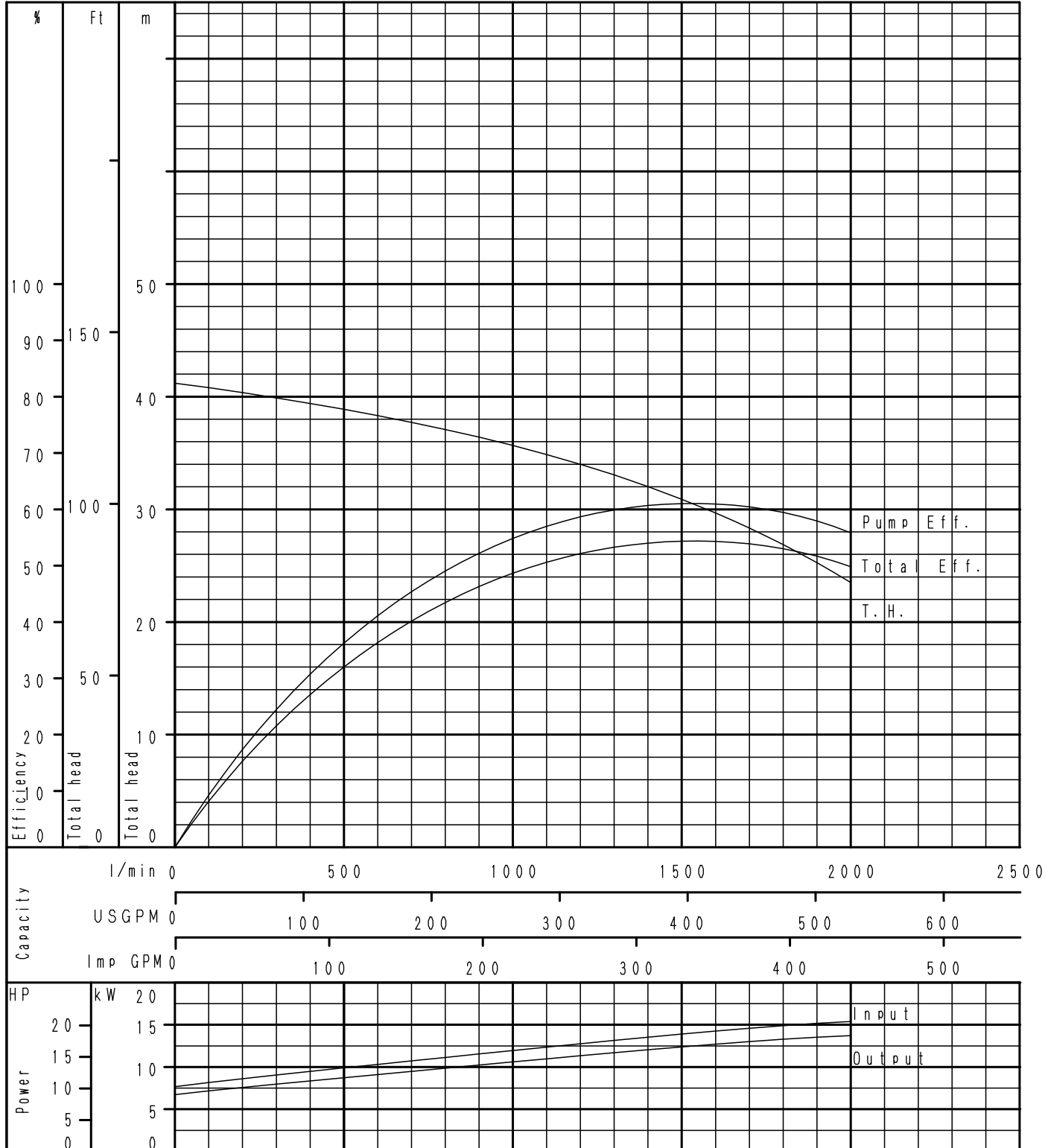
300DL3511	According to ISO testing code 9906 Grade 3B
50 Hz (Synchronous Speed 1500 min ⁻¹)	Density=1kg/dm ³ Viscosity=1mm ² /s



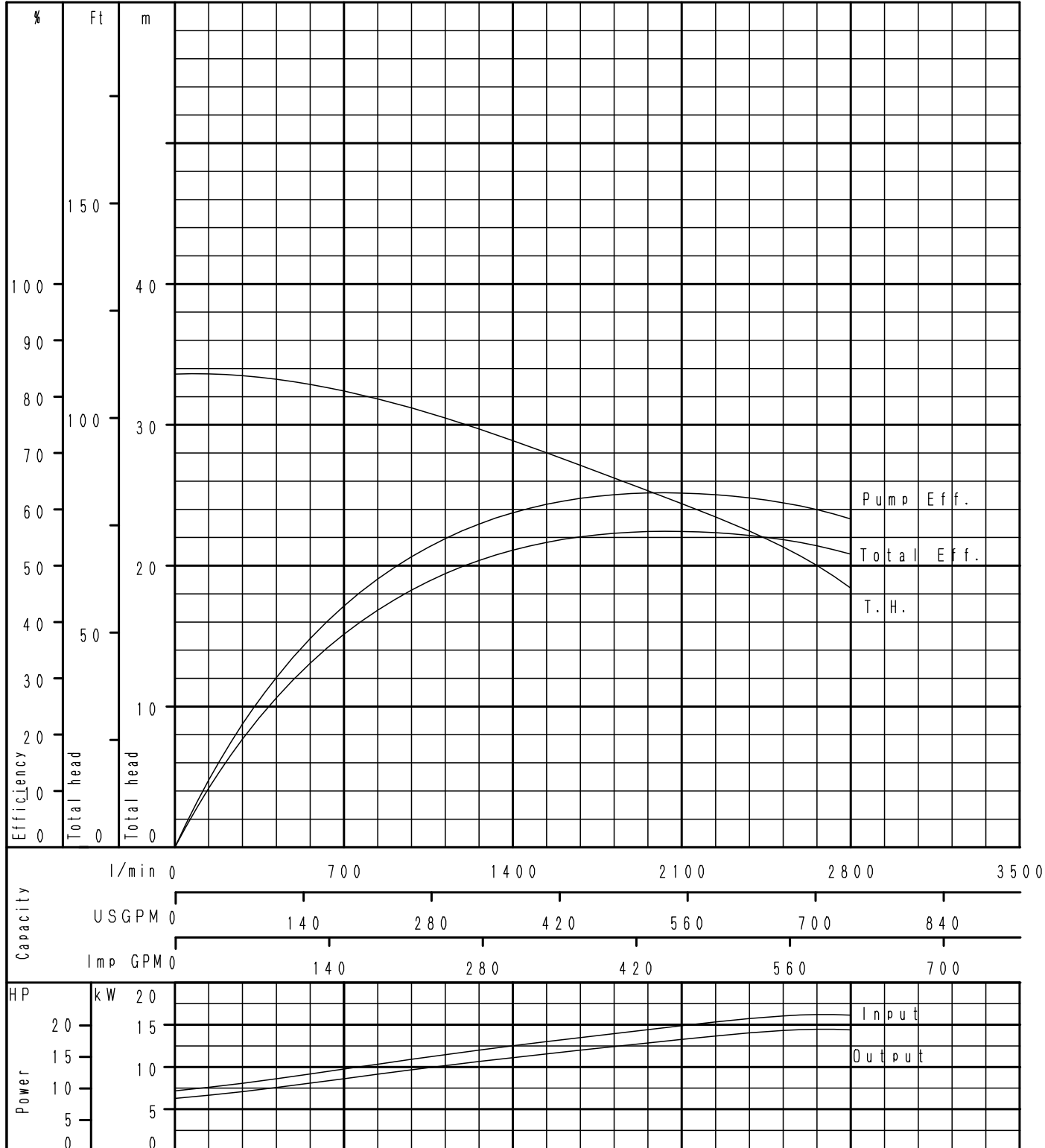
65DL3515A	According to ISO testing code 9906 Grade 3B
50 Hz (Synchronous Speed 1500 min ⁻¹)	Density=1kg/dm ³ Viscosity=1mm ² /s



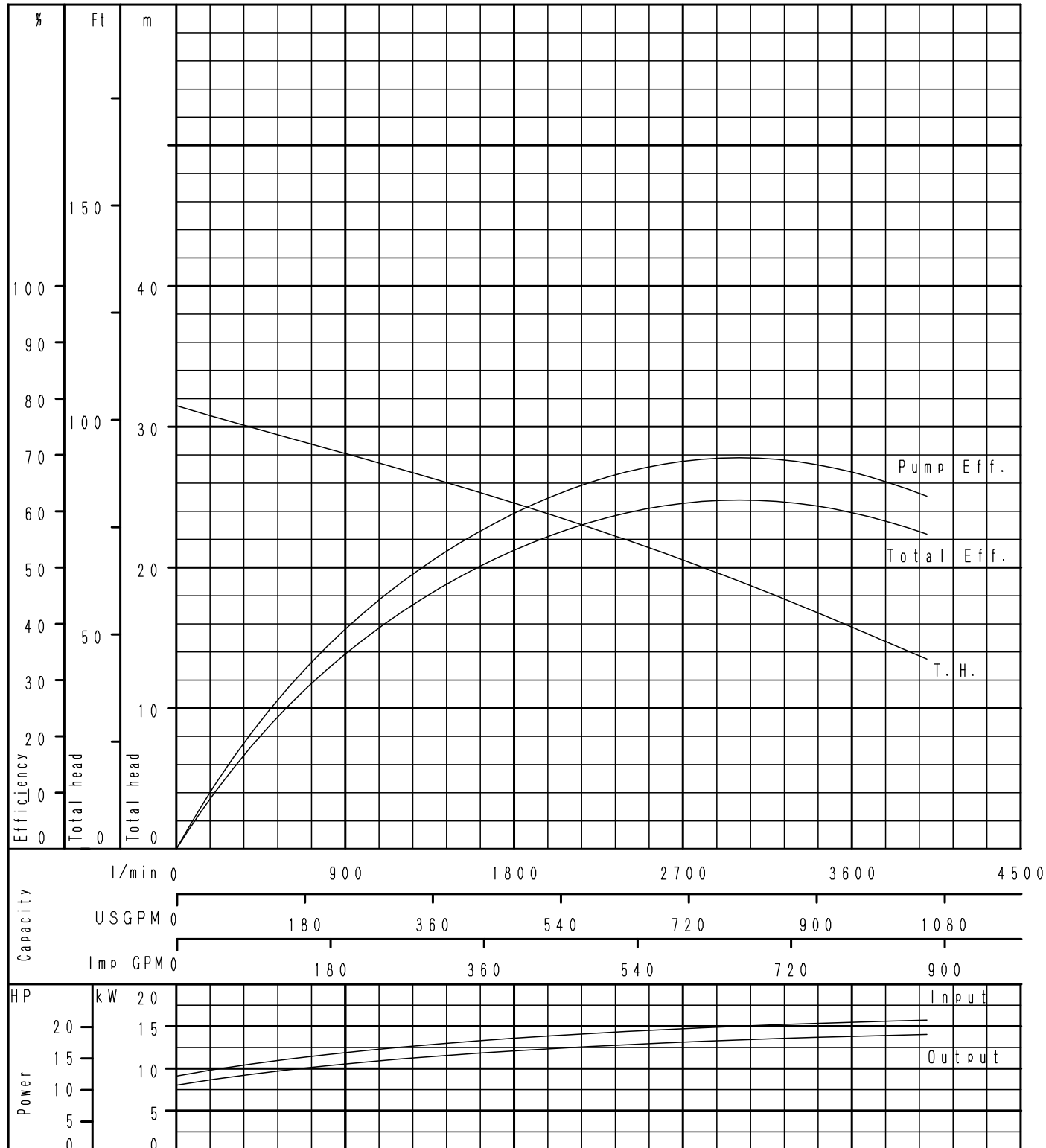
80DL3515A	According to ISO testing code 9906 Grade 3B
50 Hz (Synchronous Speed 1500 min ⁻¹)	Density=1kg/dm ³ Viscosity=1mm ² /s



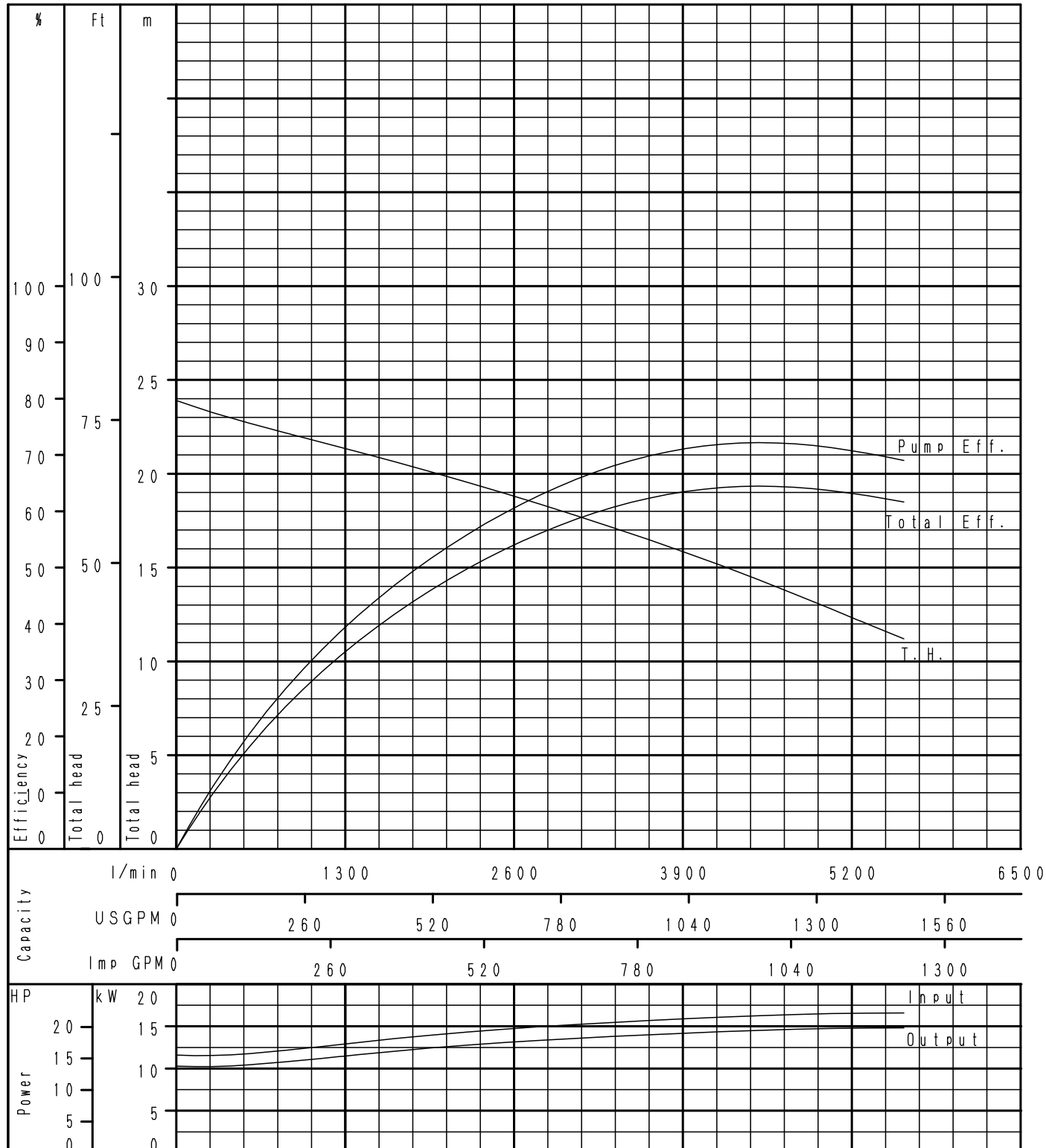
100DL3515	According to ISO testing code 9906 Grade 3B
50 Hz (Synchronous Speed 1500 min ⁻¹)	Density=1kg/dm ³ Viscosity=1mm ² /s



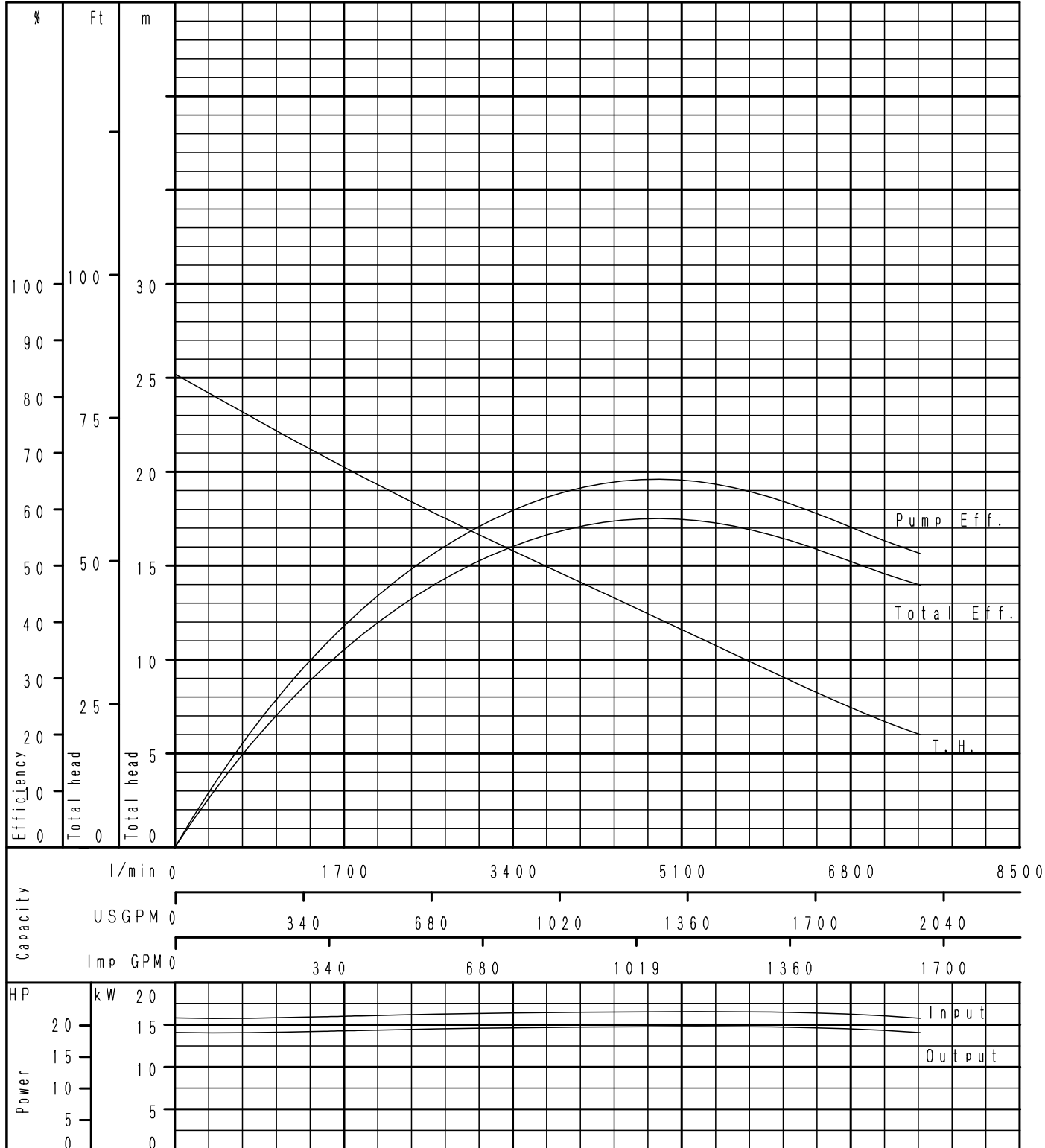
150DL3515	According to ISO testing code 9906 Grade 3B
50 Hz (Synchronous Speed 1500 min ⁻¹)	Density=1kg/dm ³ Viscosity=1mm ² /s



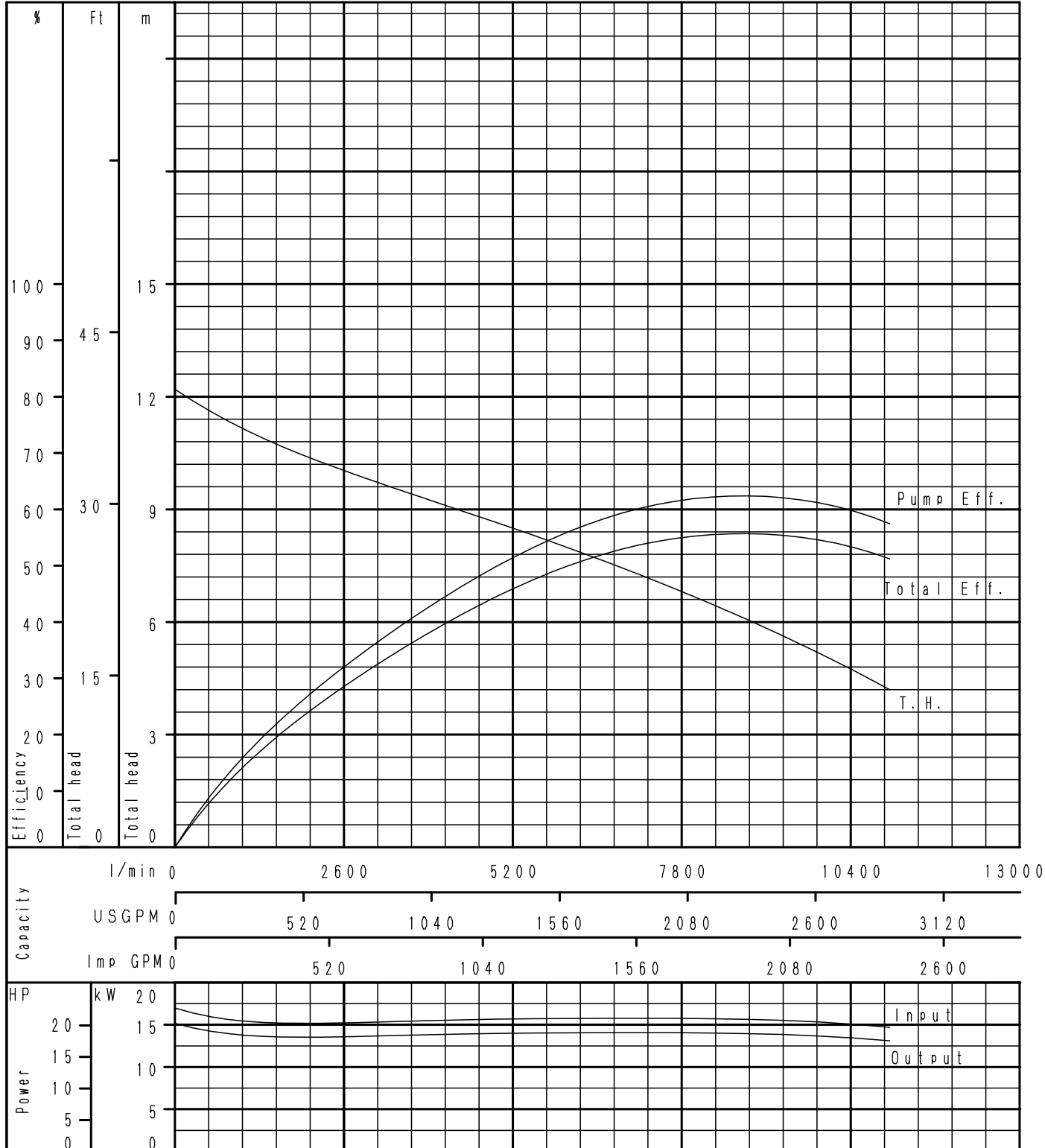
200DL3515	According to ISO testing code 9906 Grade 3B
50 Hz (Synchronous Speed 1500 min ⁻¹)	Density=1kg/dm ³ Viscosity=1mm ² /s



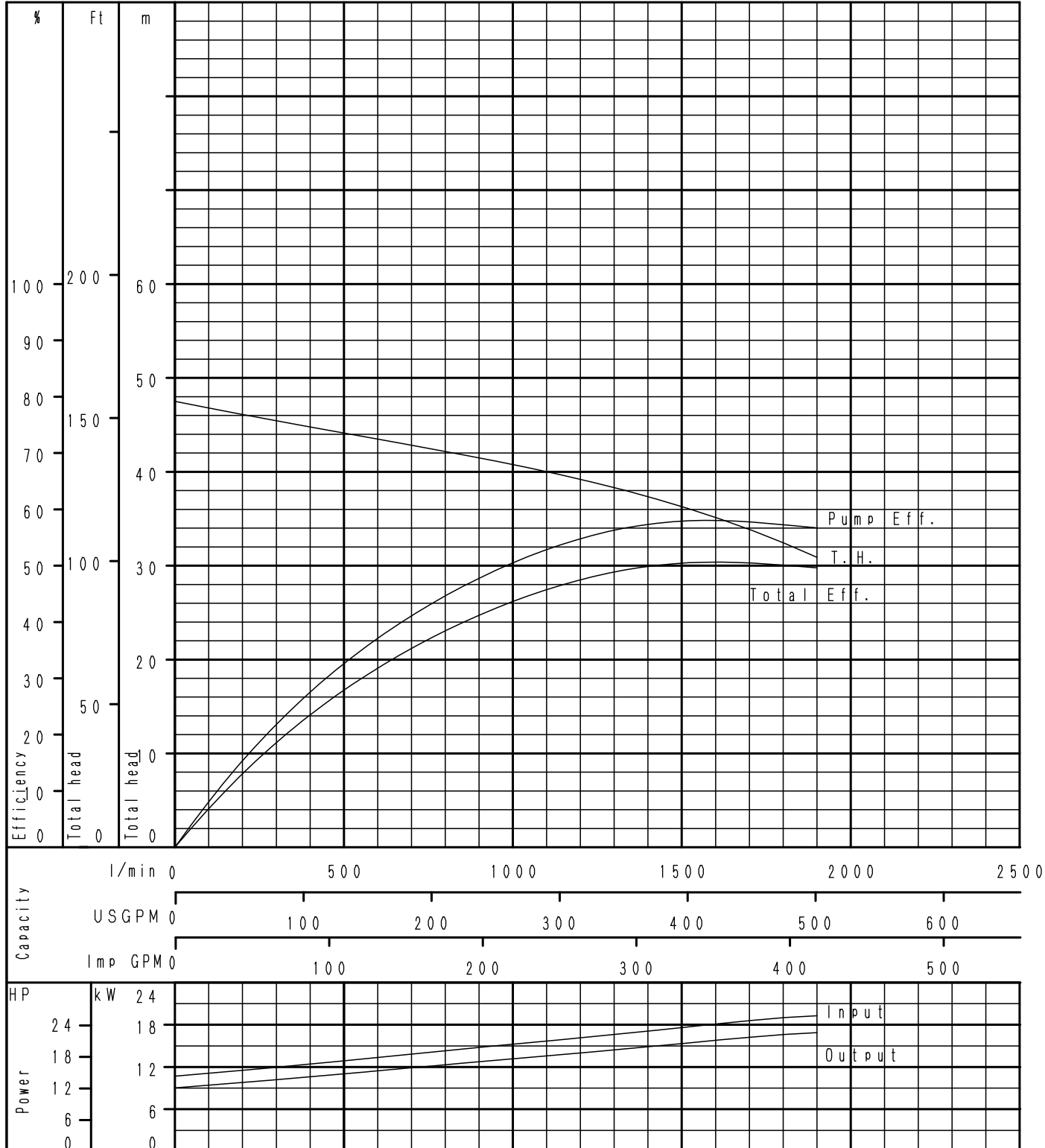
250DL3515	According to ISO testing code 9906 Grade 3B
50 Hz (Synchronous Speed 1500 min ⁻¹)	
Density=1kg/dm ³ Viscosity=1mm ² /s	



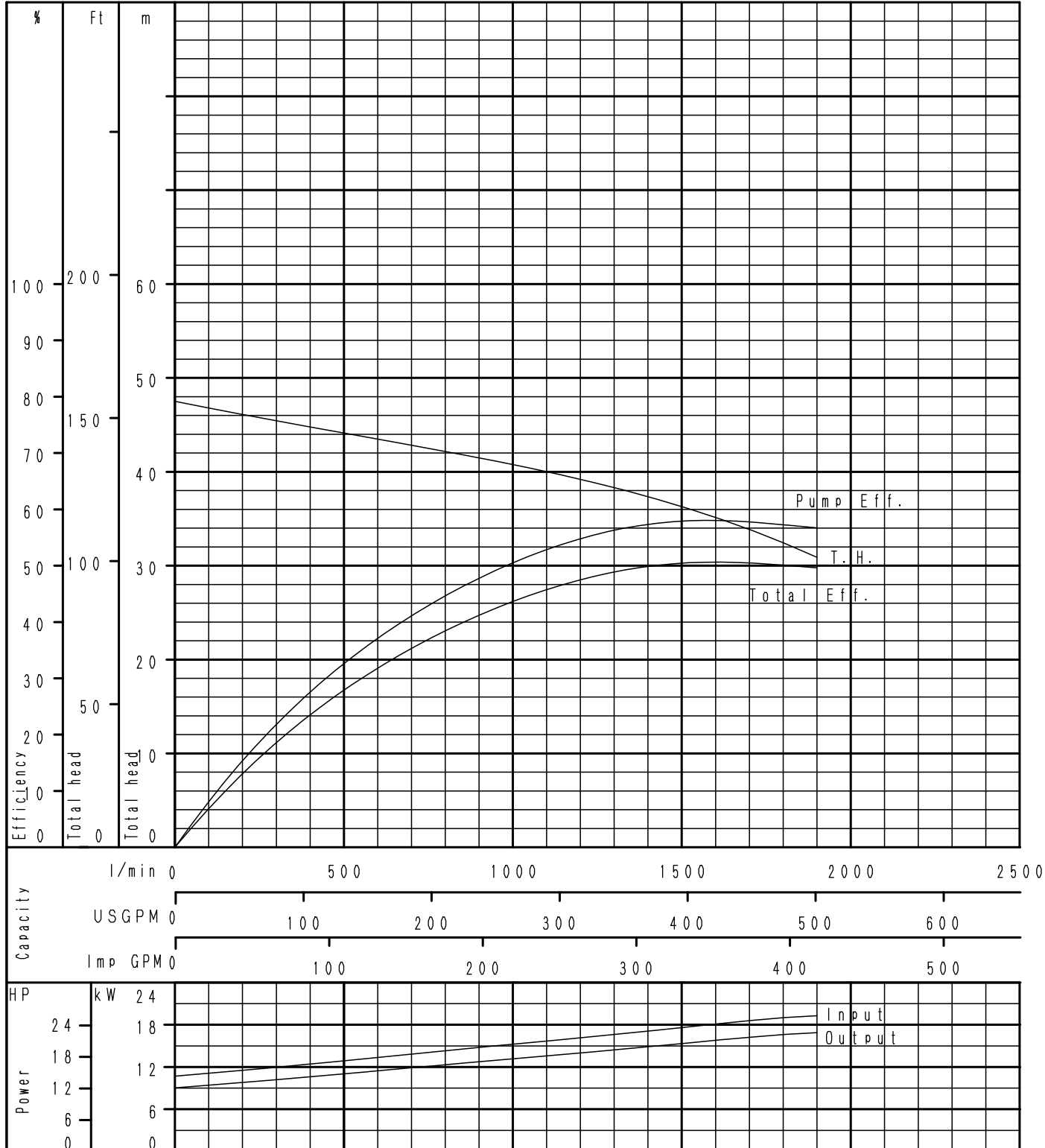
300DL3515	According to ISO testing code 9906 Grade 3B
50 Hz (Synchronous Speed 1500 min ⁻¹)	Density=1kg/dm ³ Viscosity=1mm ² /s



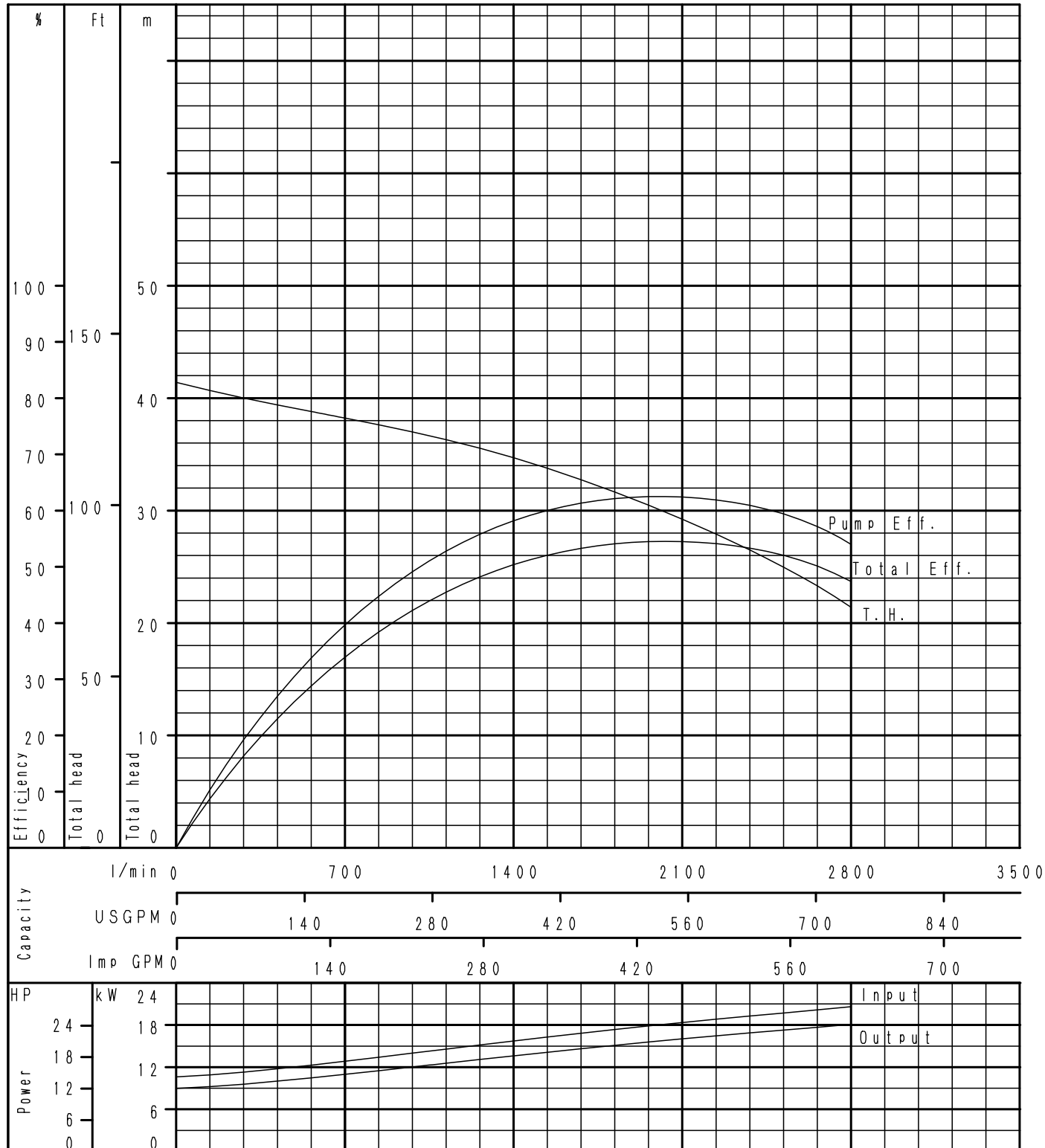
65DL3518A	According to ISO testing code 9906 Grade 3B
50 Hz (Synchronous Speed 1500 min ⁻¹)	Density=1kg/dm ³ Viscosity=1mm ² /s



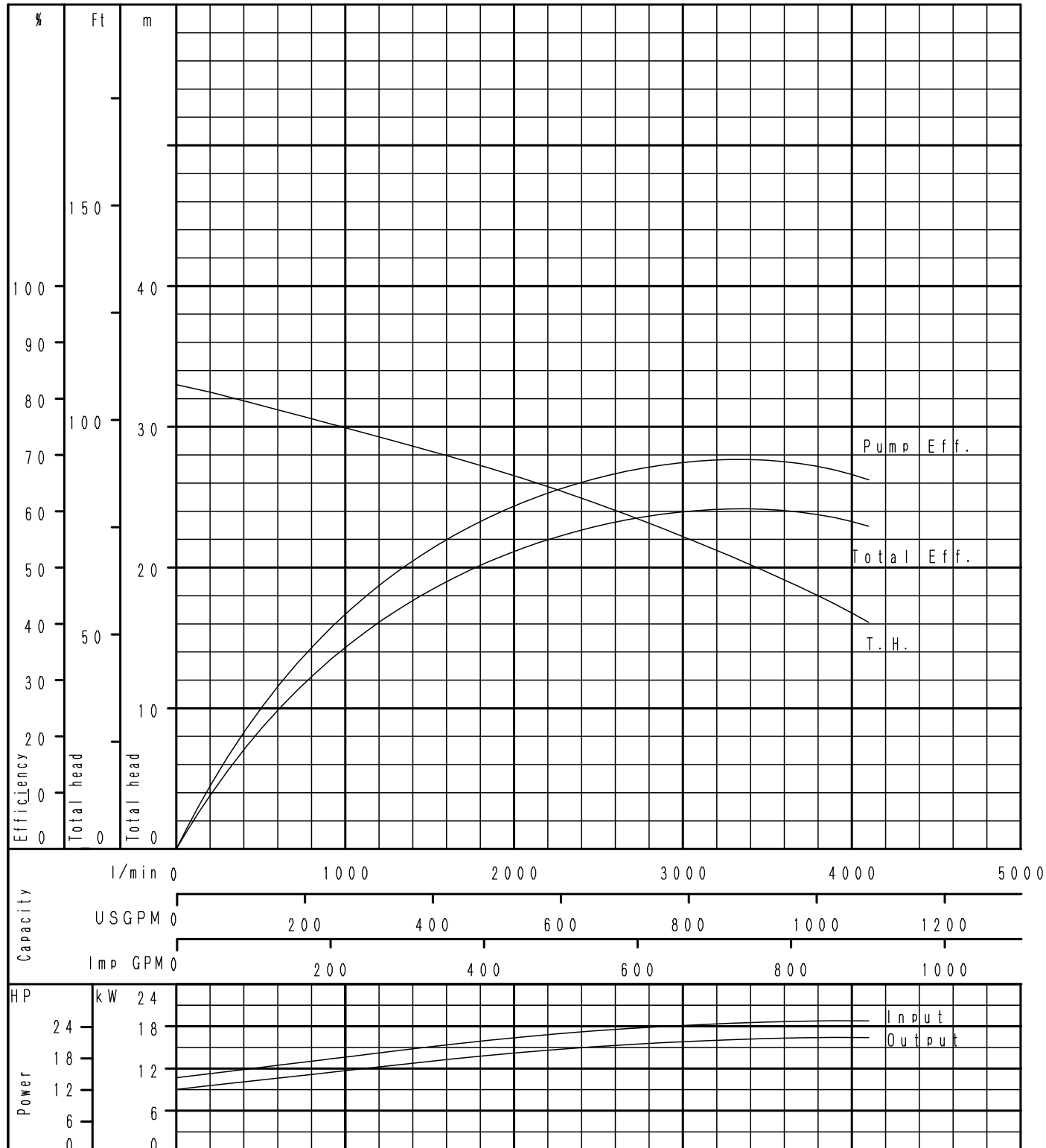
80DL3518A	According to ISO testing code 9906 Grade 3B
50 Hz (Synchronous Speed 1500 min ⁻¹)	Density=1kg/dm ³ Viscosity=1mm ² /s



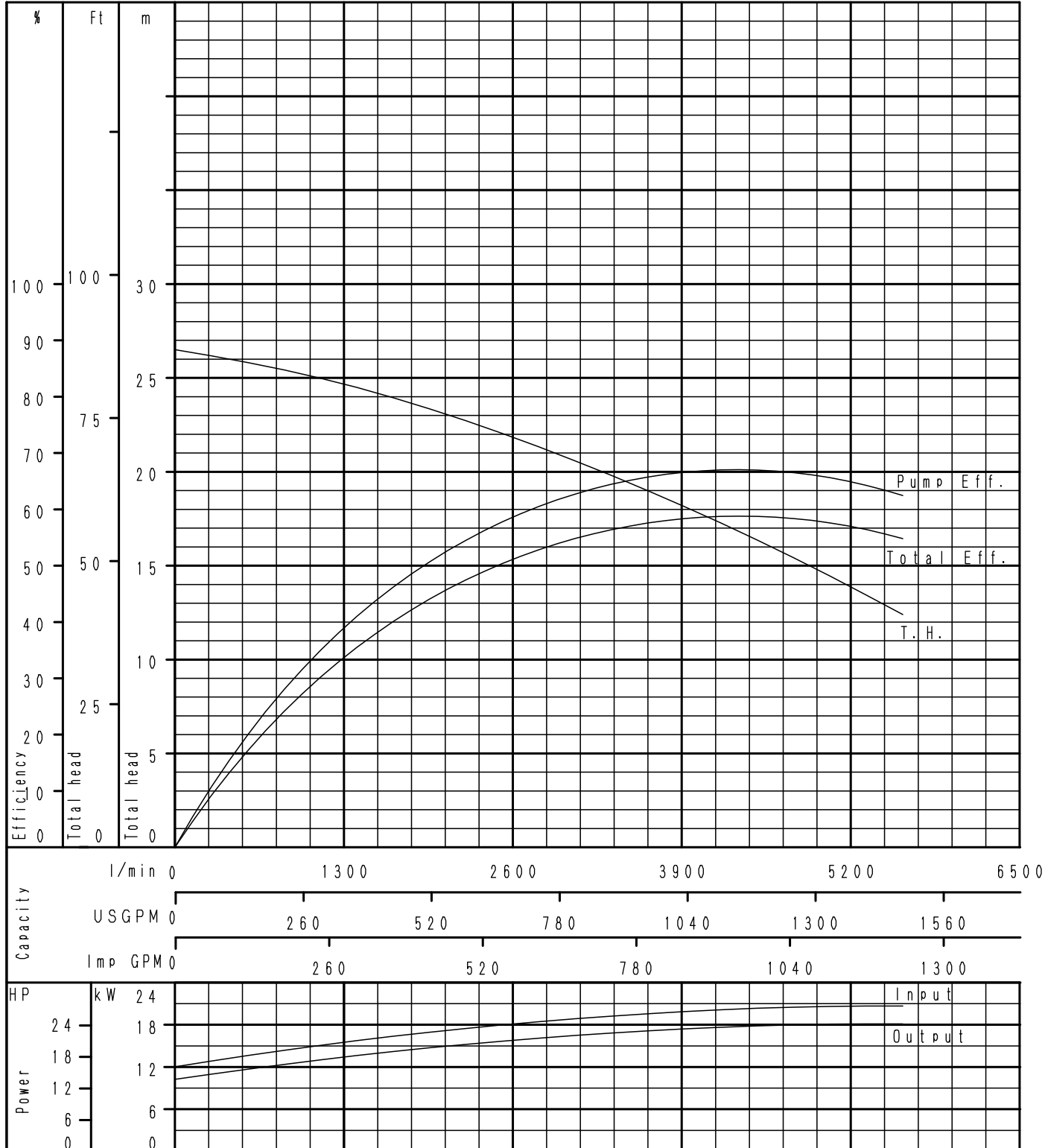
100DL3518	According to ISO testing code 9906 Grade 3B
50 Hz (Synchronous Speed 1500 min ⁻¹)	Density=1kg/dm ³ Viscosity=1mm ² /s



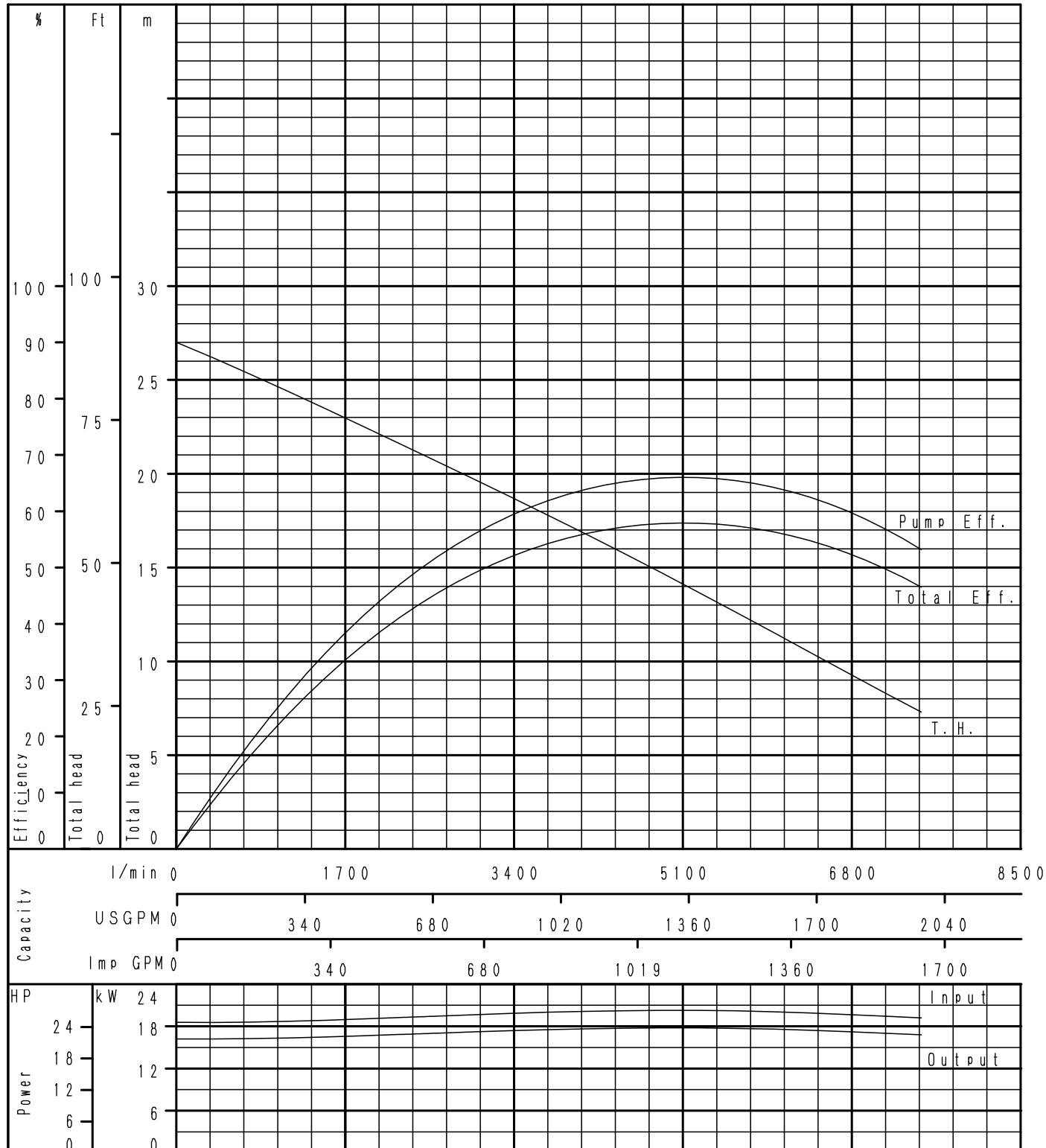
150DL3518	According to ISO testing code 9906 Grade 3B
50 Hz (Synchronous Speed 1500 min ⁻¹)	Density=1kg/dm ³ Viscosity=1mm ² /s



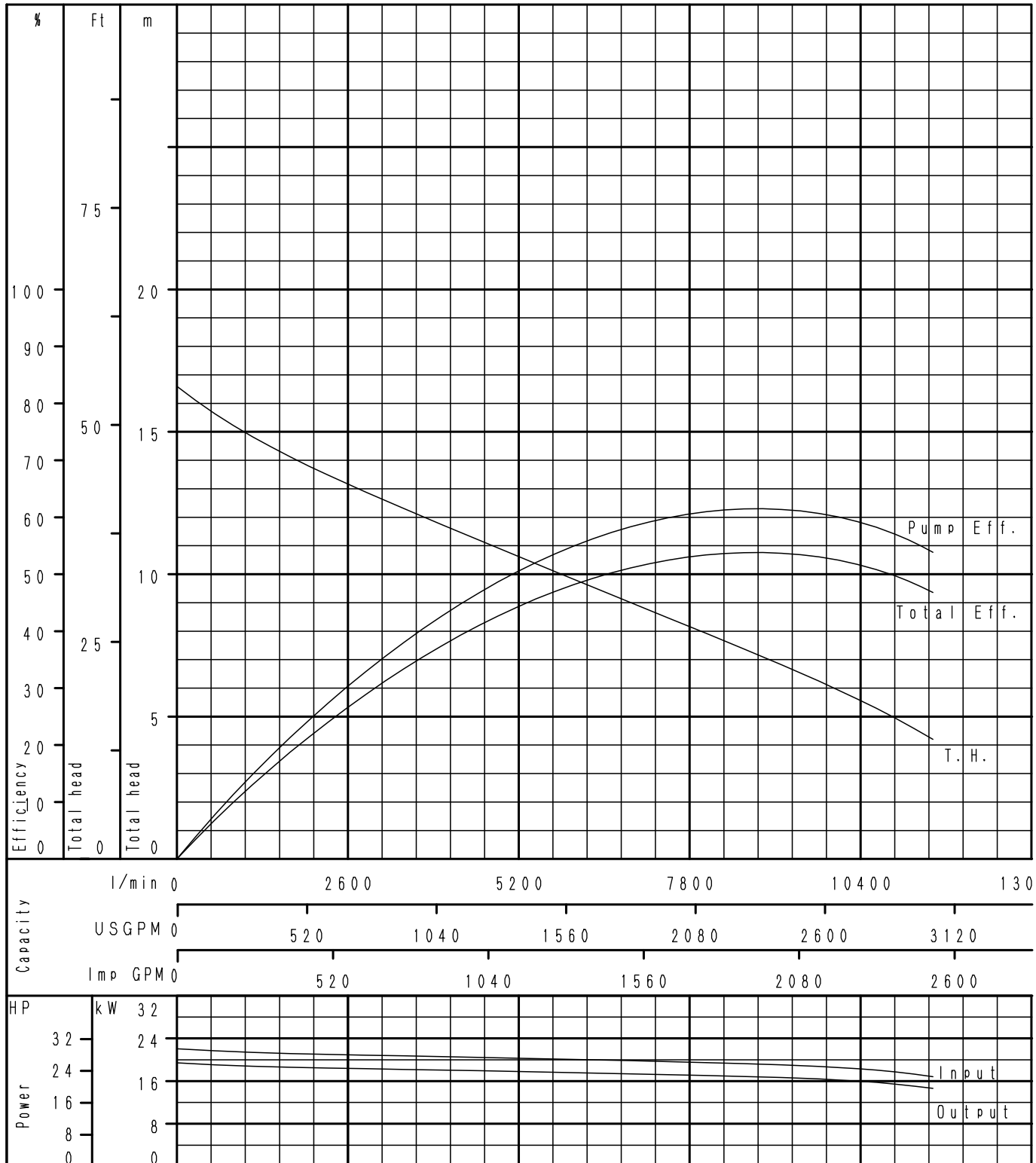
200DL3518	According to ISO testing code 9906 Grade 3B
50 Hz (Synchronous Speed 1500 min ⁻¹)	Density=1kg/dm ³ Viscosity=1mm ² /s



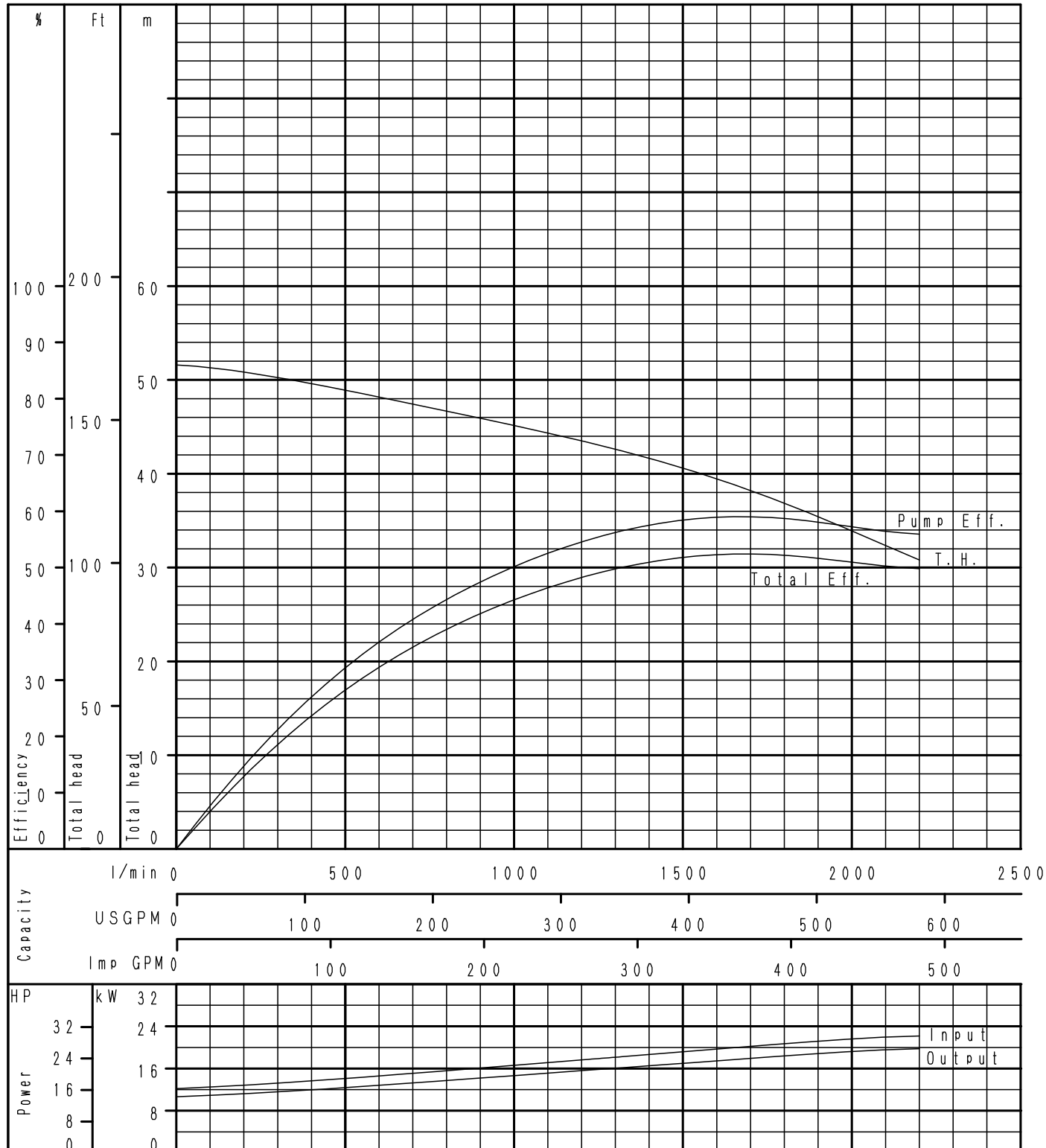
250DL3518	According to ISO testing code 9906 Grade 3B
50 Hz (Synchronous Speed 1500 min ⁻¹)	Density=1kg/dm ³ Viscosity=1mm ² /s



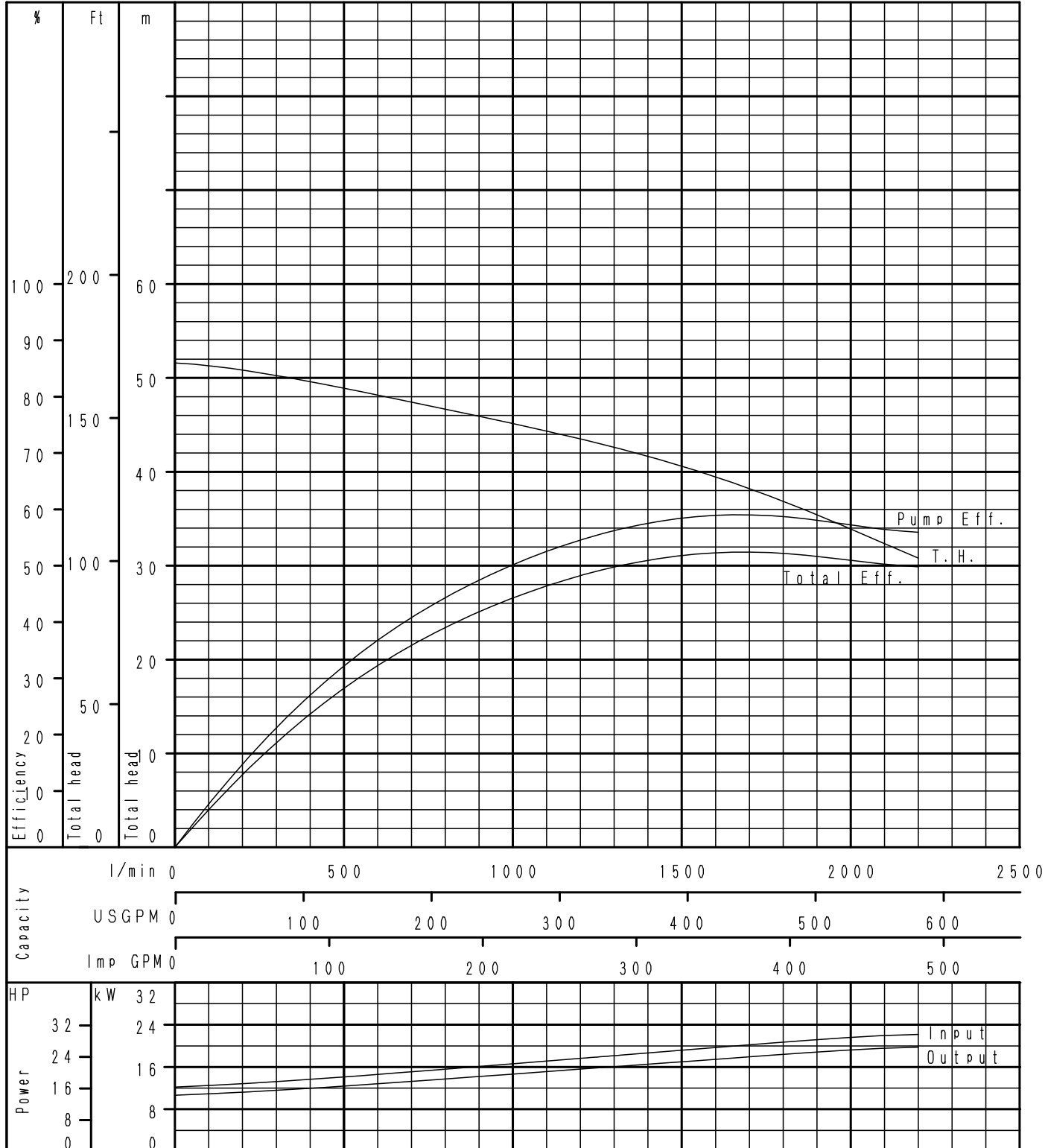
300DL3518	According to ISO testing code 9906 Grade 3B
50 Hz (Synchronous Speed 1500 min ⁻¹)	Density=1kg/dm ³ Viscosity=1mm ² /s



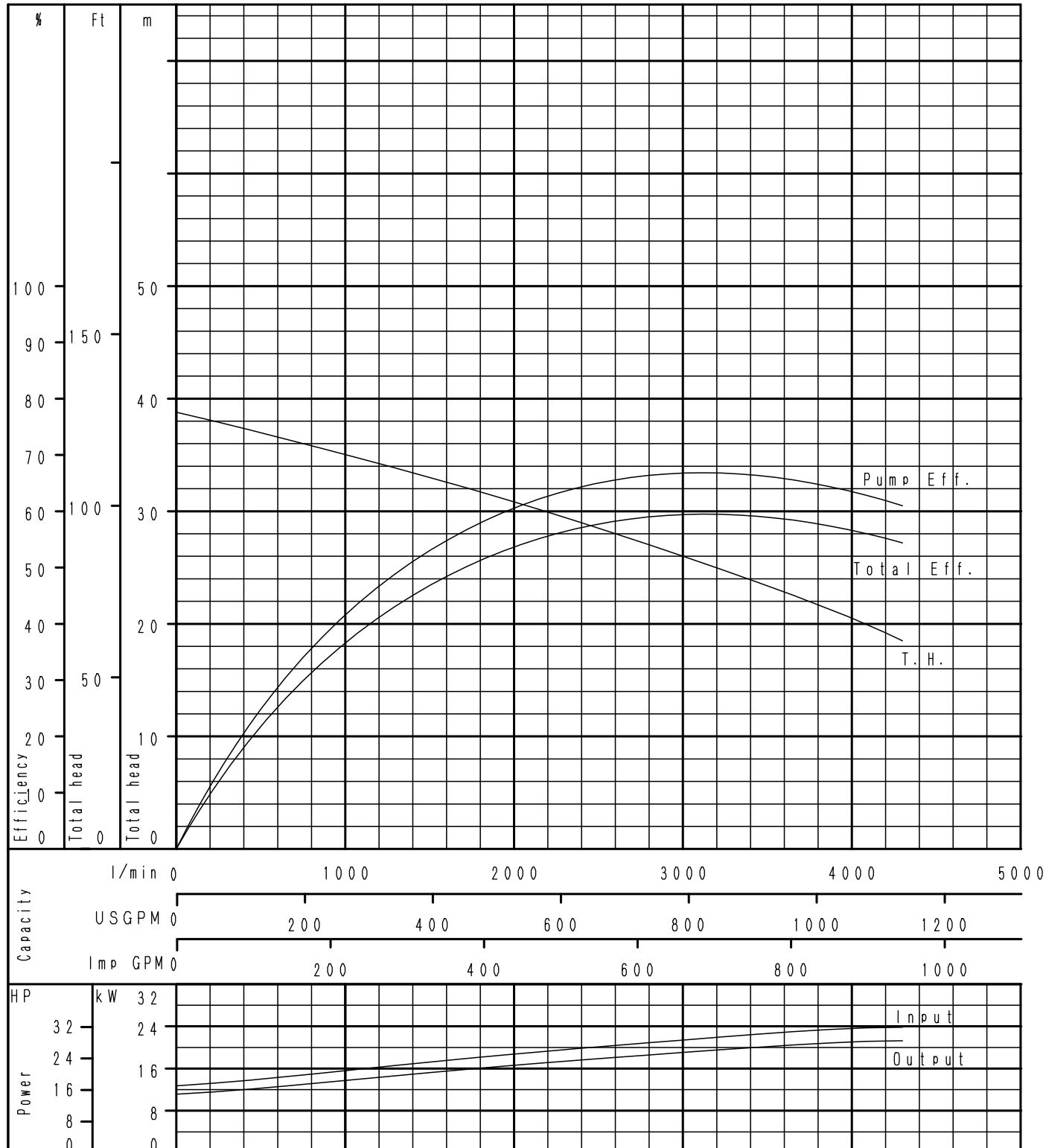
65DL3522A	According to ISO testing code 9906 Grade 3B
50 Hz (Synchronous Speed 1500 min ⁻¹)	Density=1kg/dm ³ Viscosity=1mm ² /s



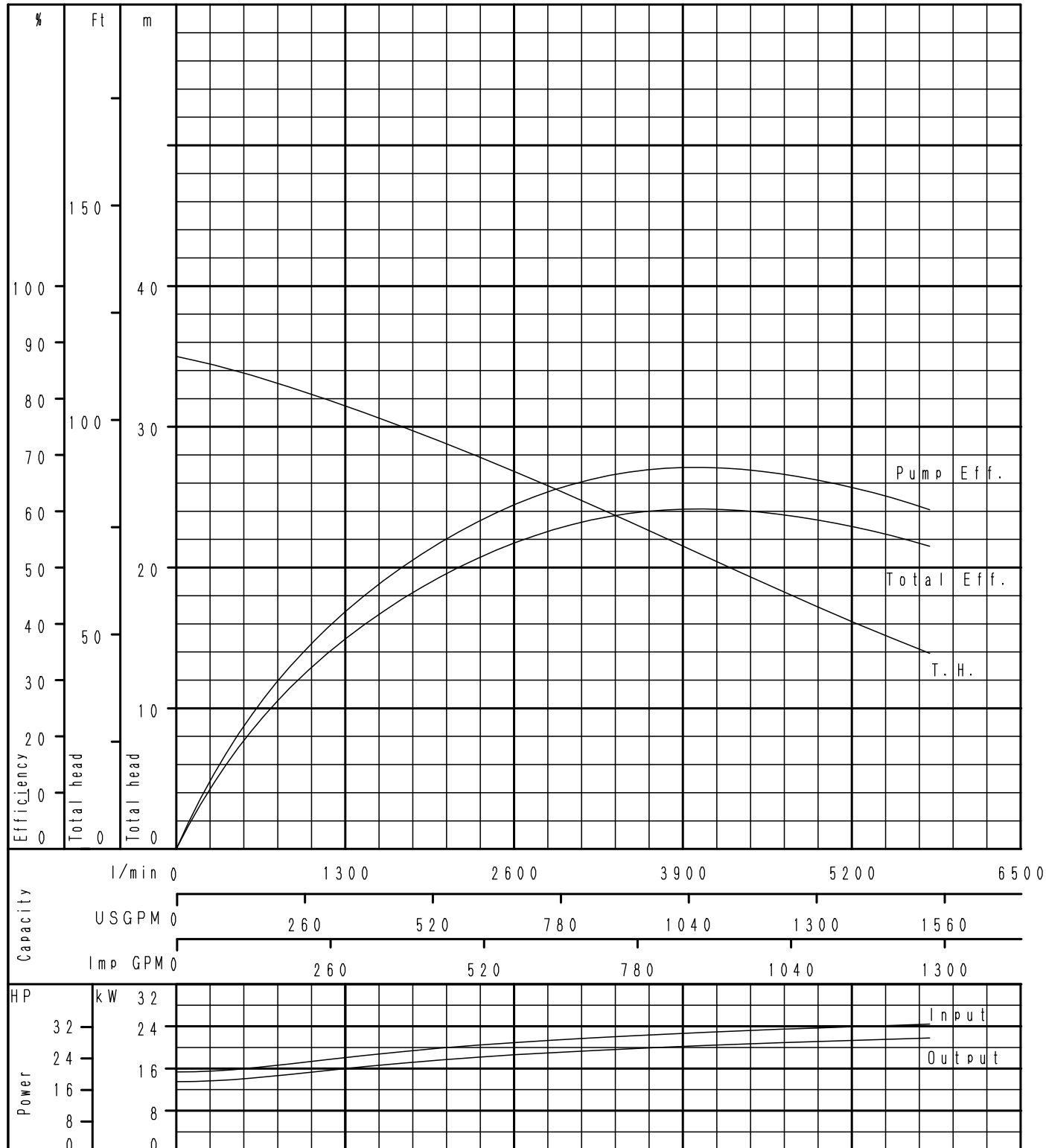
80DL3522A	According to ISO testing code 9906 Grade 3B
50 Hz (Synchronous Speed 1500 min ⁻¹)	Density=1kg/dm ³ Viscosity=1mm ² /s



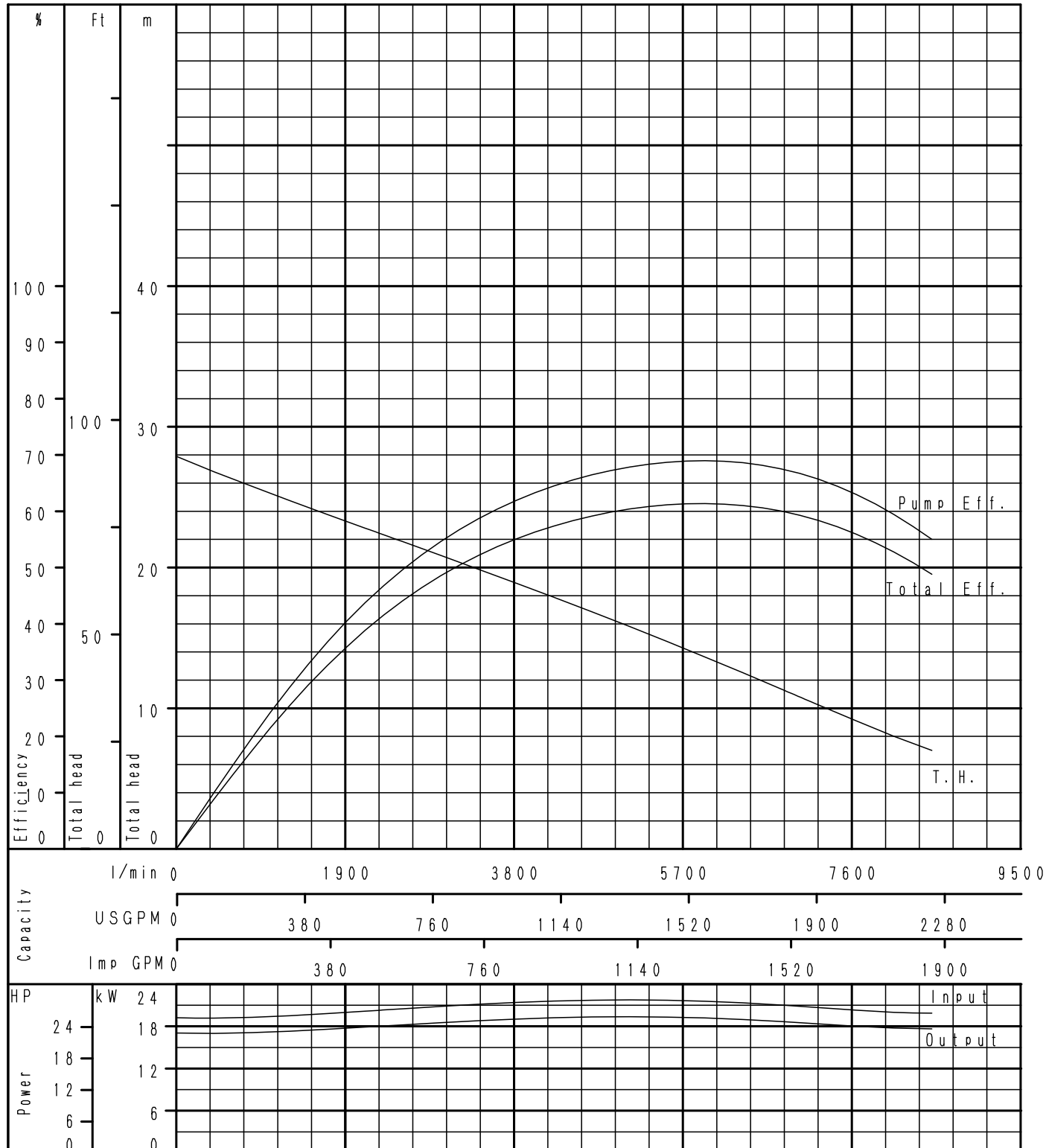
150DL3522	According to ISO testing code 9906 Grade 3B
50 Hz (Synchronous Speed 1500 min ⁻¹)	Density=1kg/dm ³ Viscosity=1mm ² /s



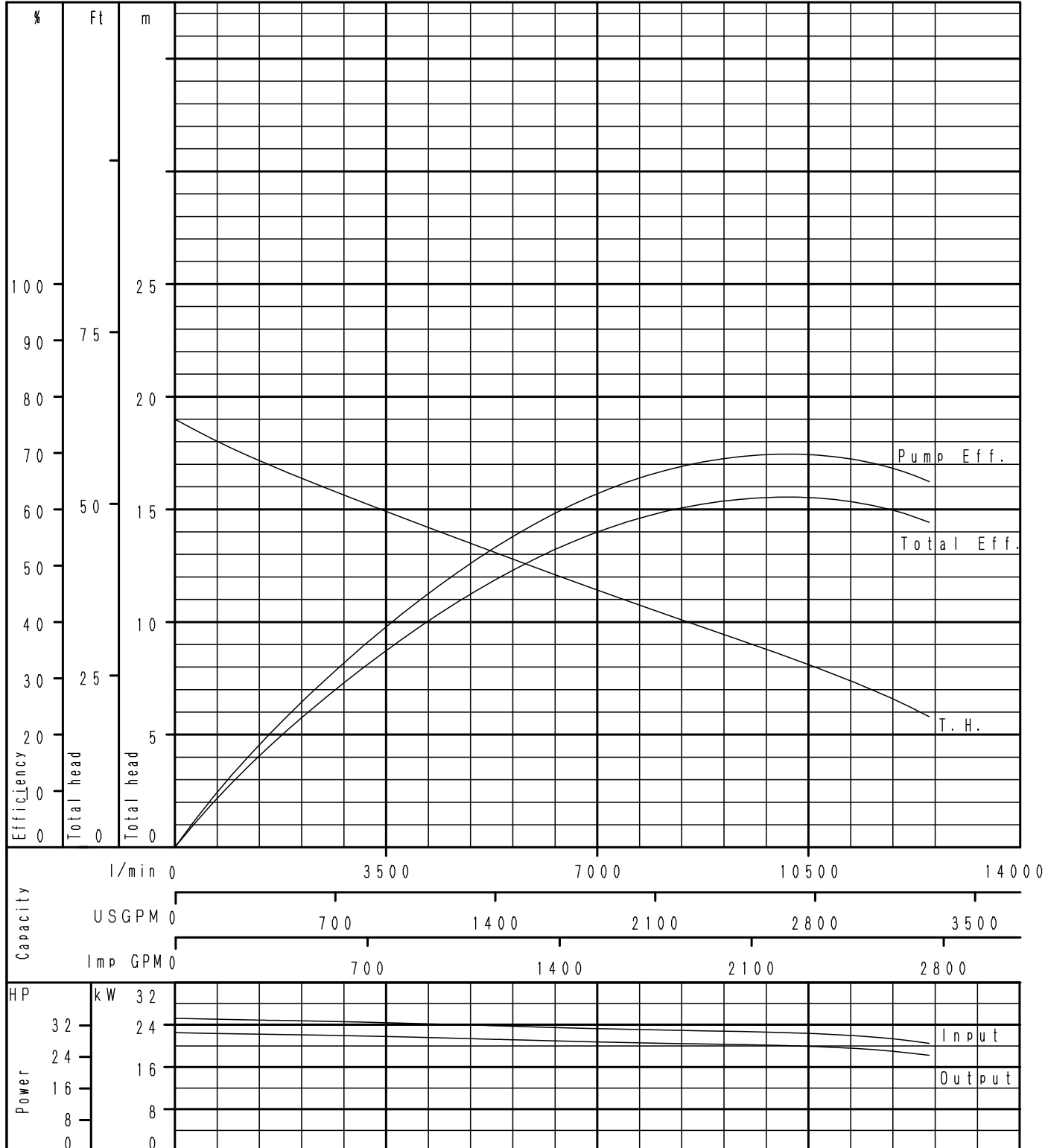
200DL3522	According to ISO testing code 9906 Grade 3B
50 Hz (Synchronous Speed 1500 min ⁻¹)	Density=1kg/dm ³ Viscosity=1mm ² /s



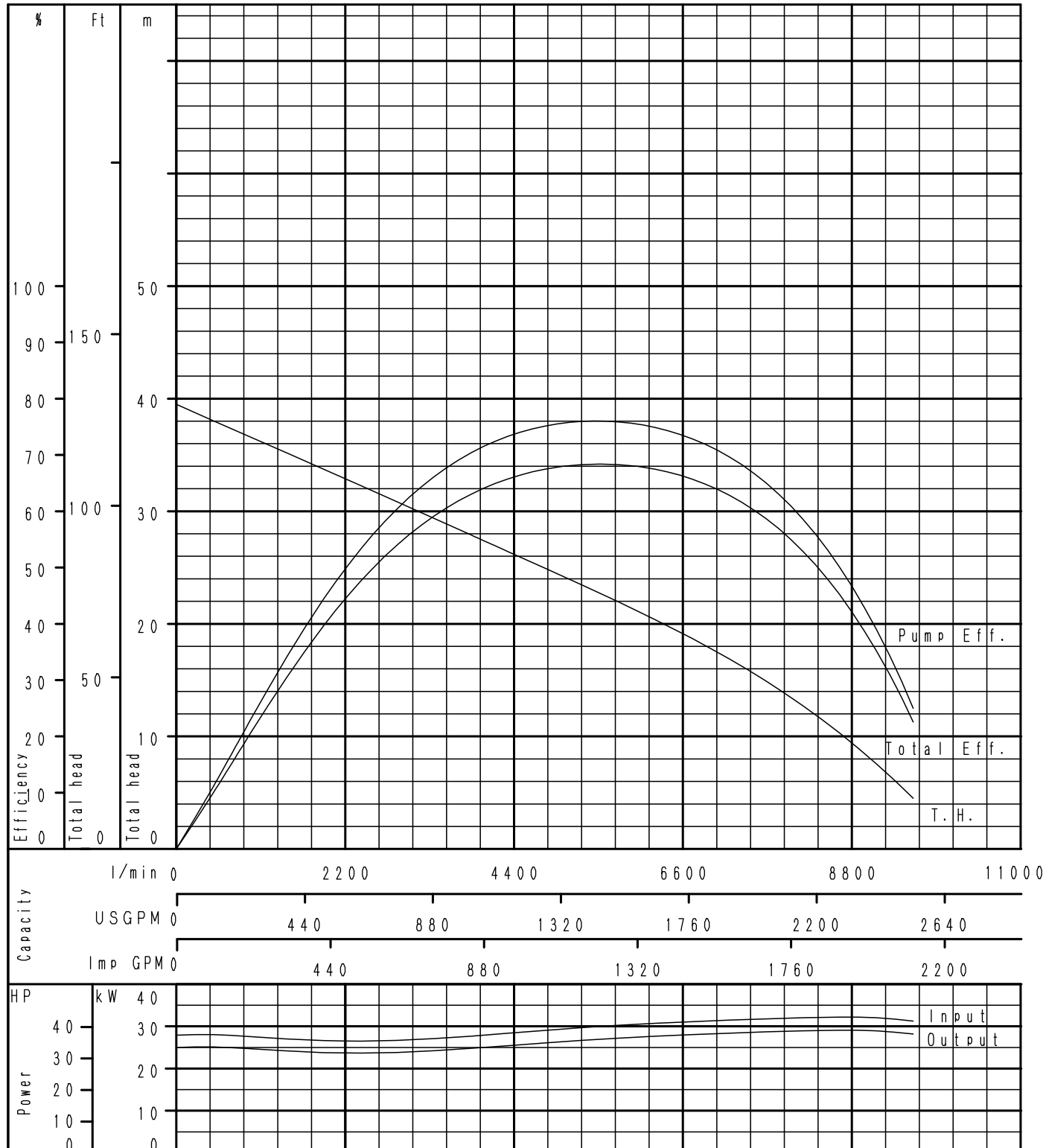
250DL3522	According to ISO testing code 9906 Grade 3B
50 Hz (Synchronous Speed 1500 min ⁻¹)	Density=1kg/dm ³ Viscosity=1mm ² /s



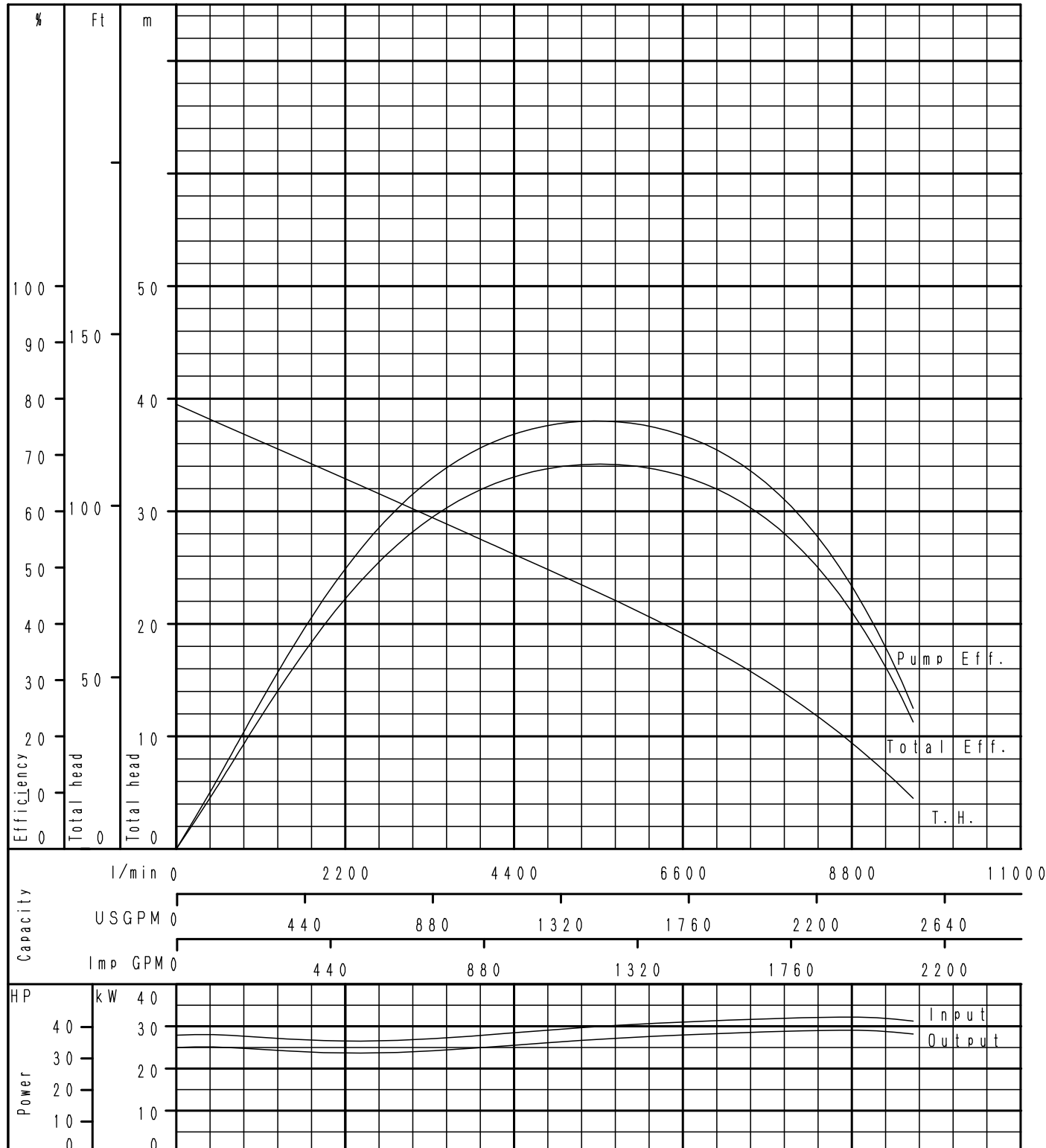
300DL3522	According to ISO testing code 9906 Grade 3B
50 Hz (Synchronous Speed 1500 min ⁻¹)	Density=1kg/dm ³ Viscosity=1mm ² /s



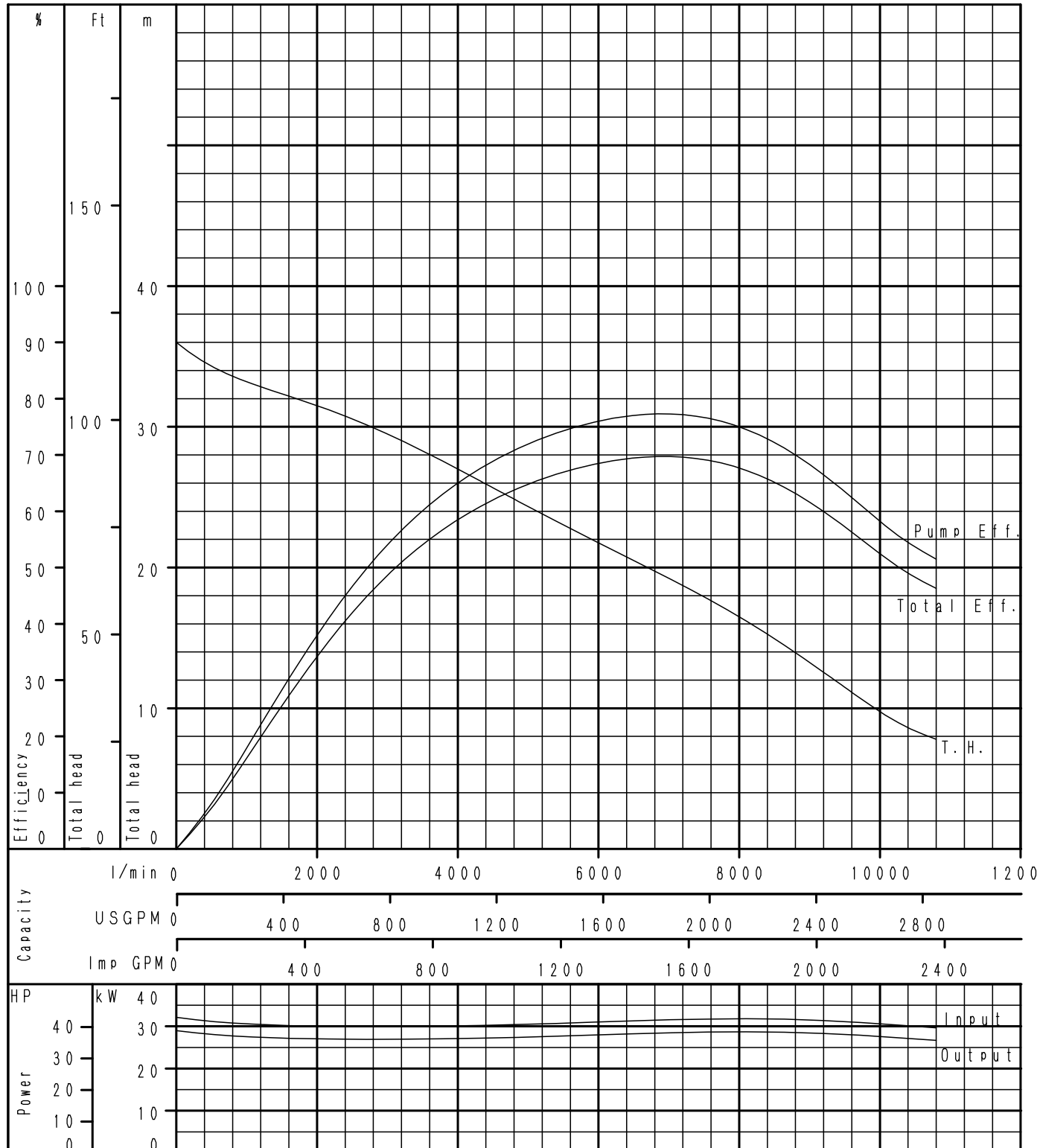
150DL3530	According to ISO testing code 9906 Grade 3B
50 Hz (Synchronous Speed 1500 min ⁻¹)	Density=1kg/dm ³ Viscosity=1mm ² /s



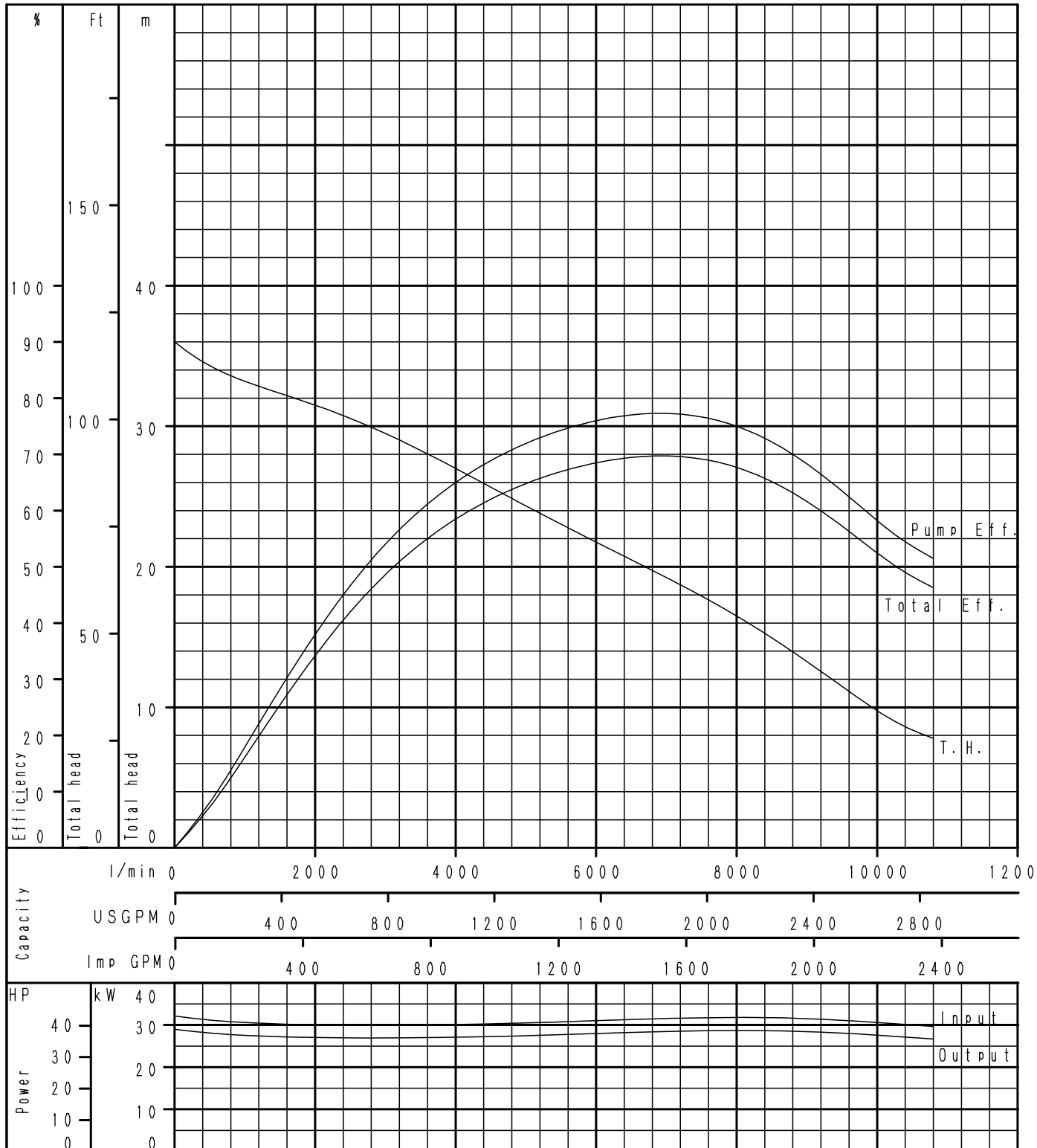
200DL3530	According to ISO testing code 9906 Grade 3B
50 Hz (Synchronous Speed 1500 min ⁻¹)	Density=1kg/dm ³ Viscosity=1mm ² /s



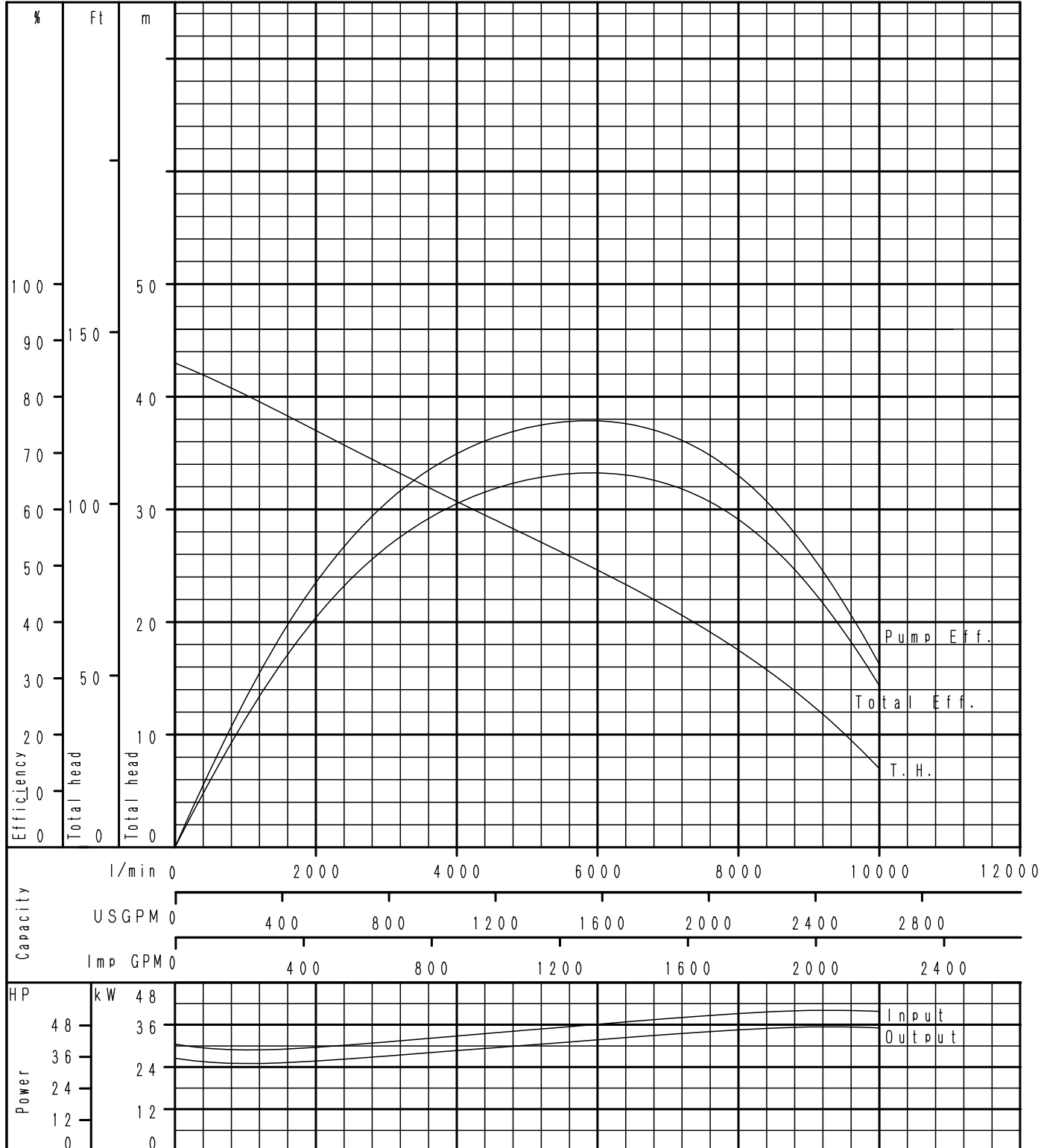
250DL3530	According to ISO testing code 9906 Grade 3B
50 Hz (Synchronous Speed 1500 min ⁻¹)	Density=1kg/dm ³ Viscosity=1mm ² /s



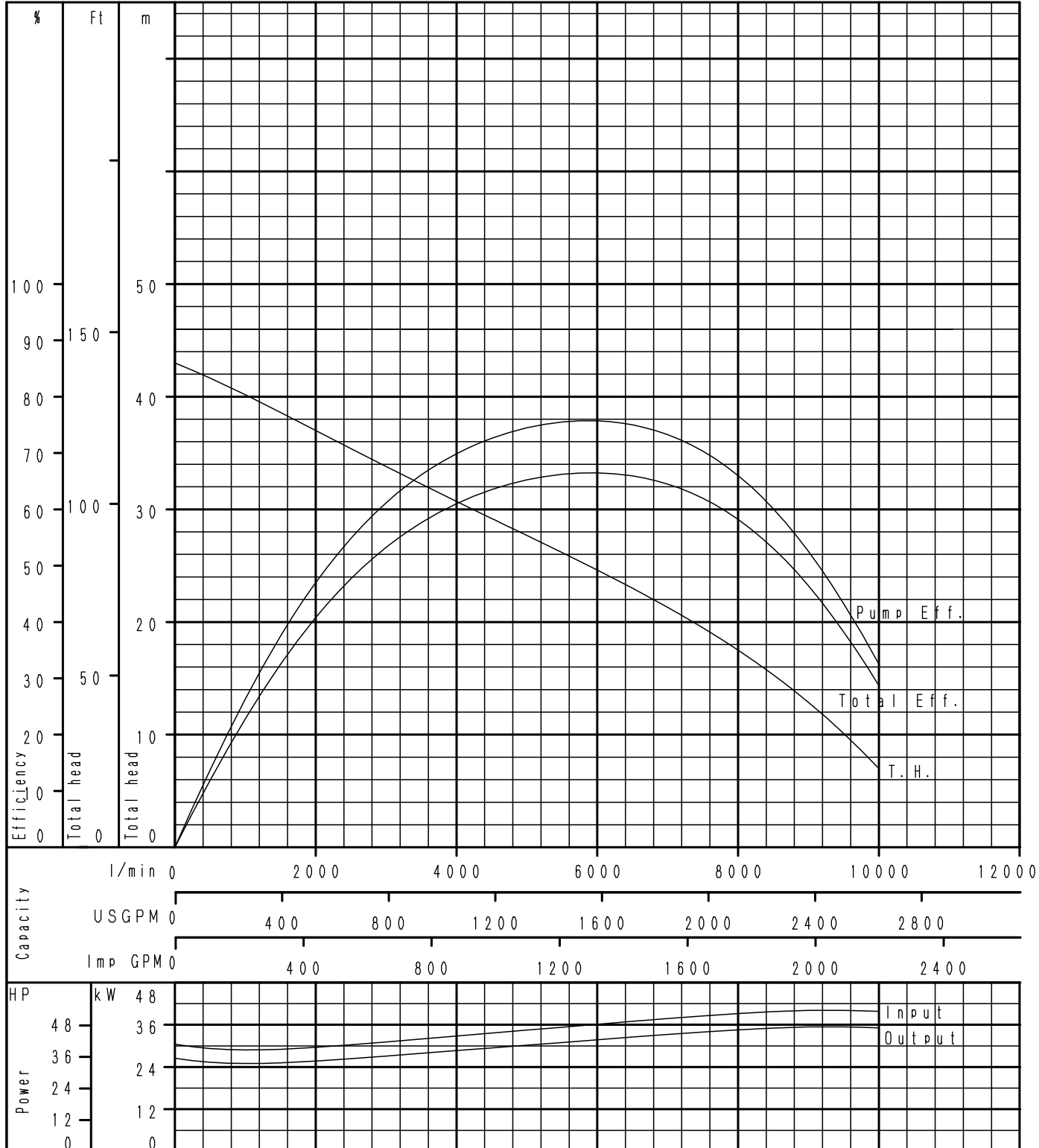
300DL3530	According to ISO testing code 9906 Grade 3B
50 Hz (Synchronous Speed 1500 min ⁻¹)	Density=1kg/dm ³ Viscosity=1mm ² /s



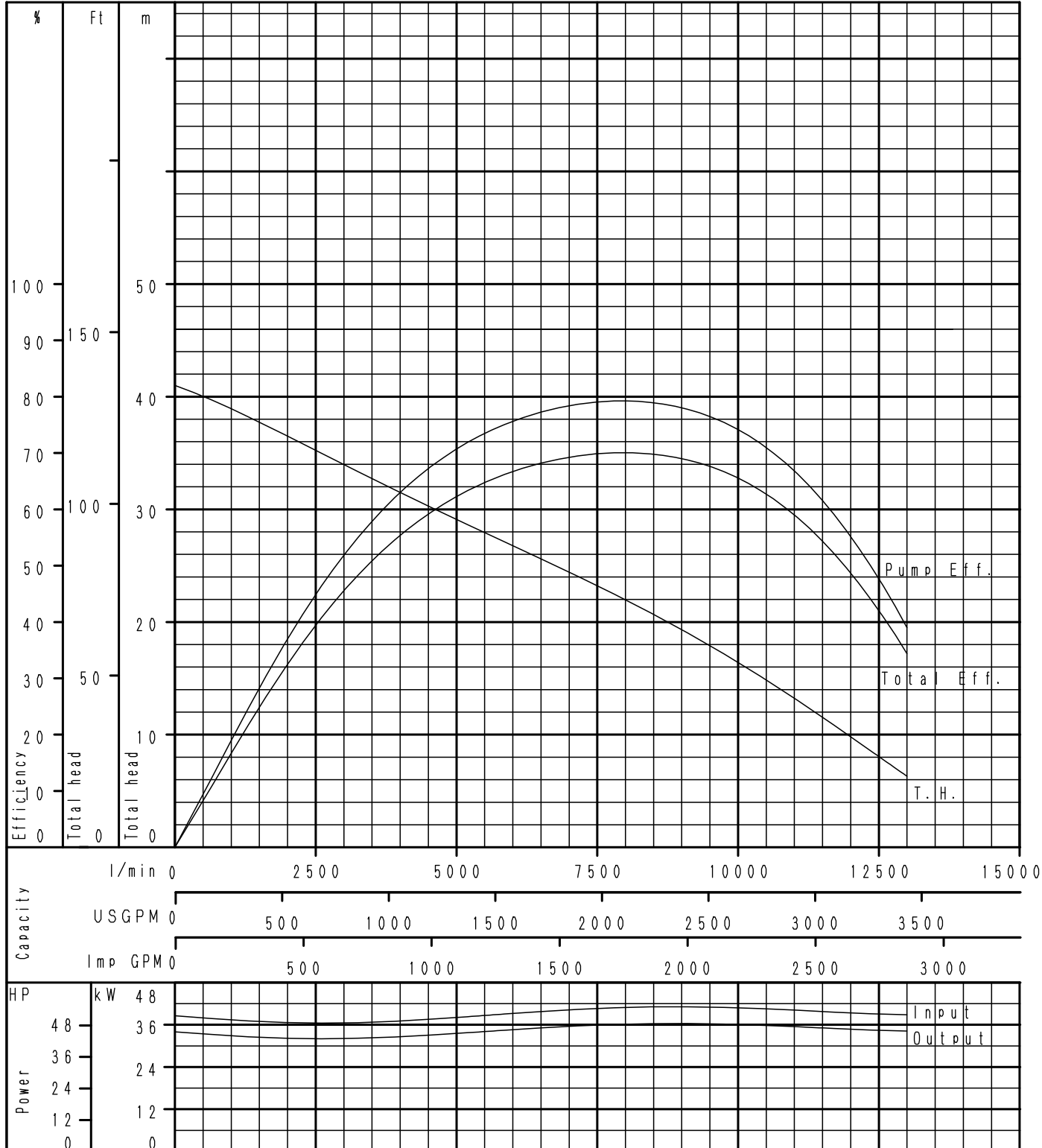
150DL3537	According to ISO testing code 9906 Grade 3B
50 Hz (Synchronous Speed 1500 min ⁻¹)	Density=1kg/dm ³ Viscosity=1mm ² /s



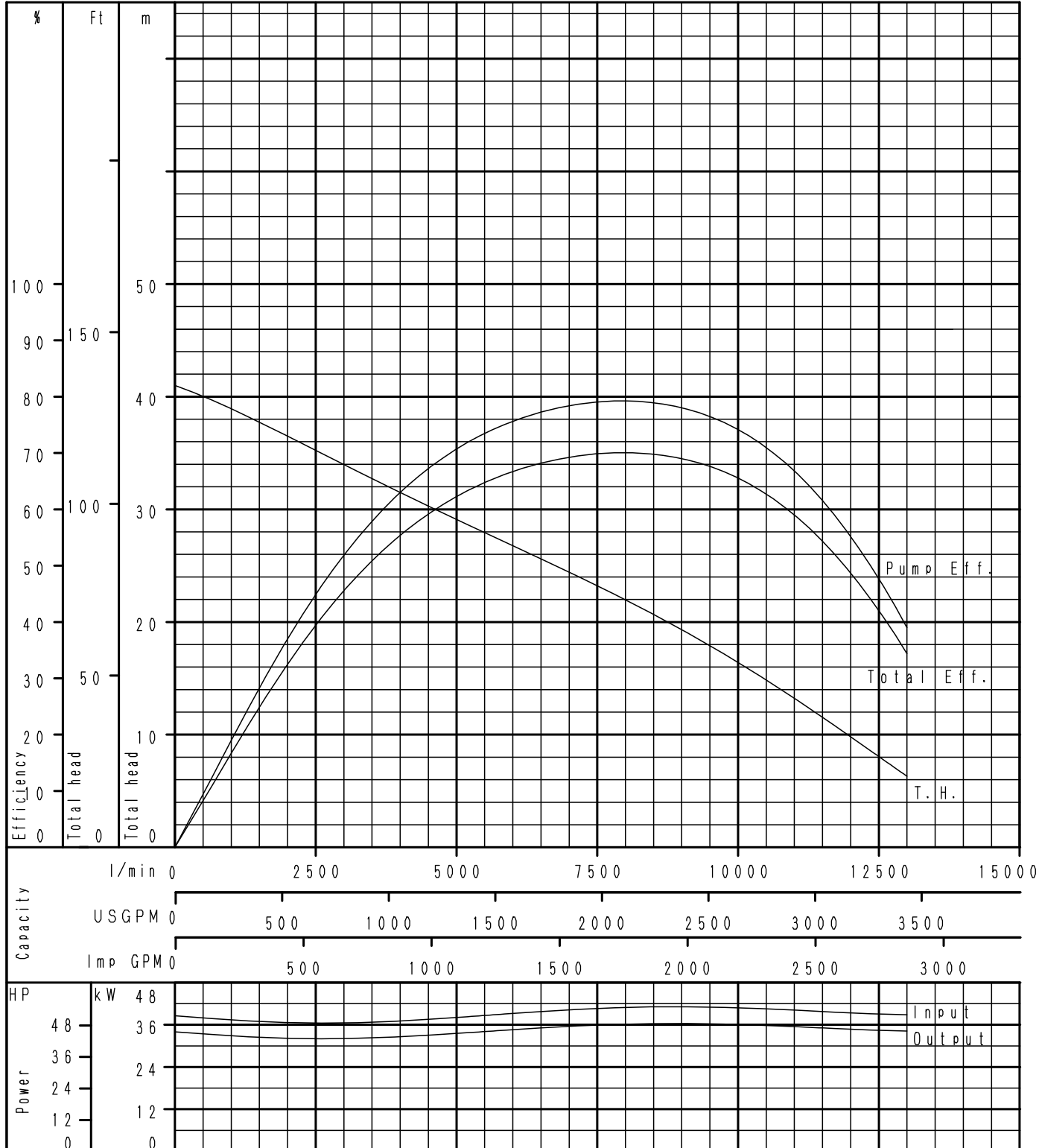
200DL3537	According to ISO testing code 9906 Grade 3B
50 Hz (Synchronous Speed 1500 min ⁻¹)	Density=1kg/dm ³ Viscosity=1mm ² /s



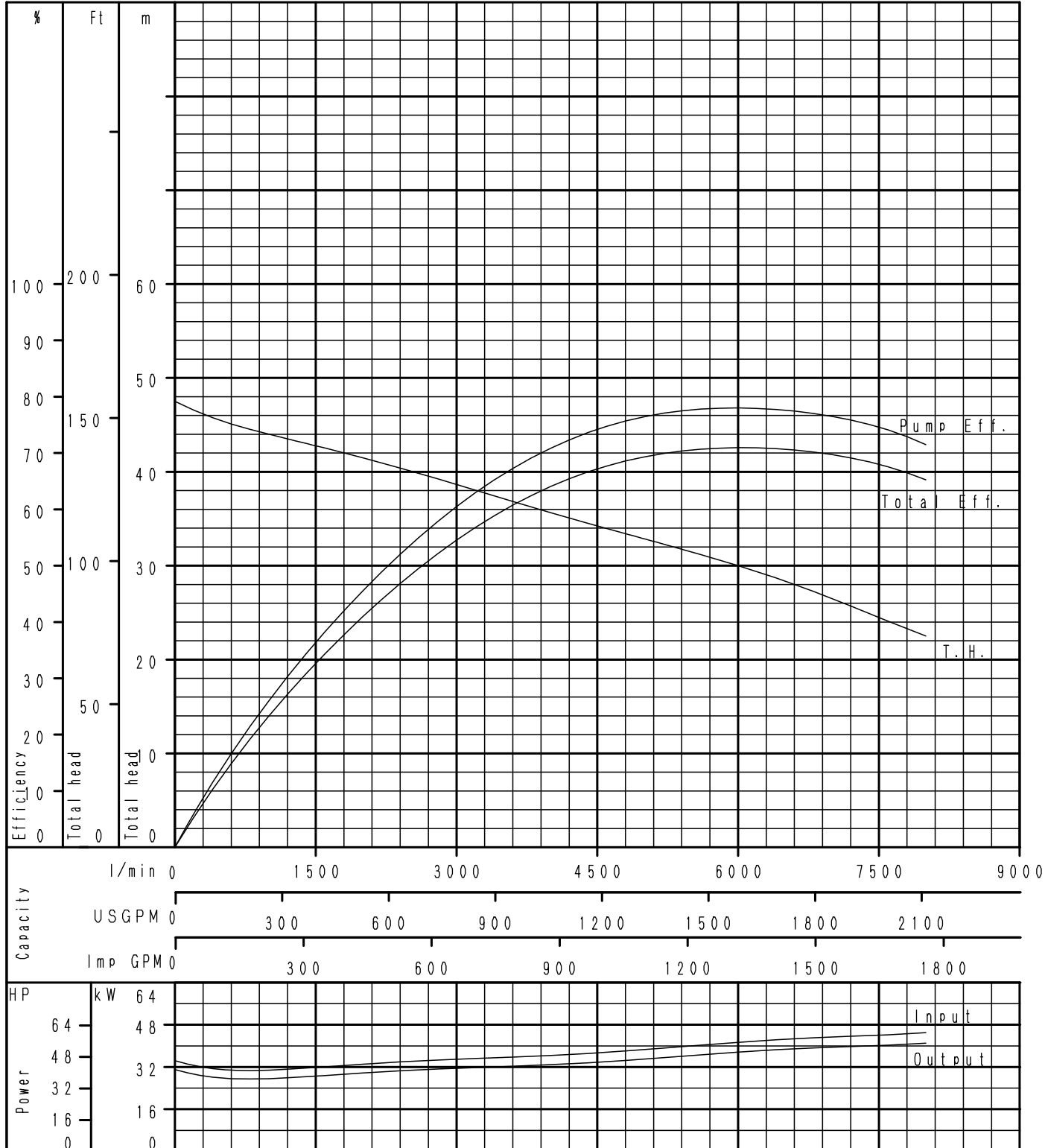
250DL3537	According to ISO testing code 9906 Grade 3B
50 Hz (Synchronous Speed 1500 min ⁻¹)	
Density=1kg/dm ³ Viscosity=1mm ² /s	



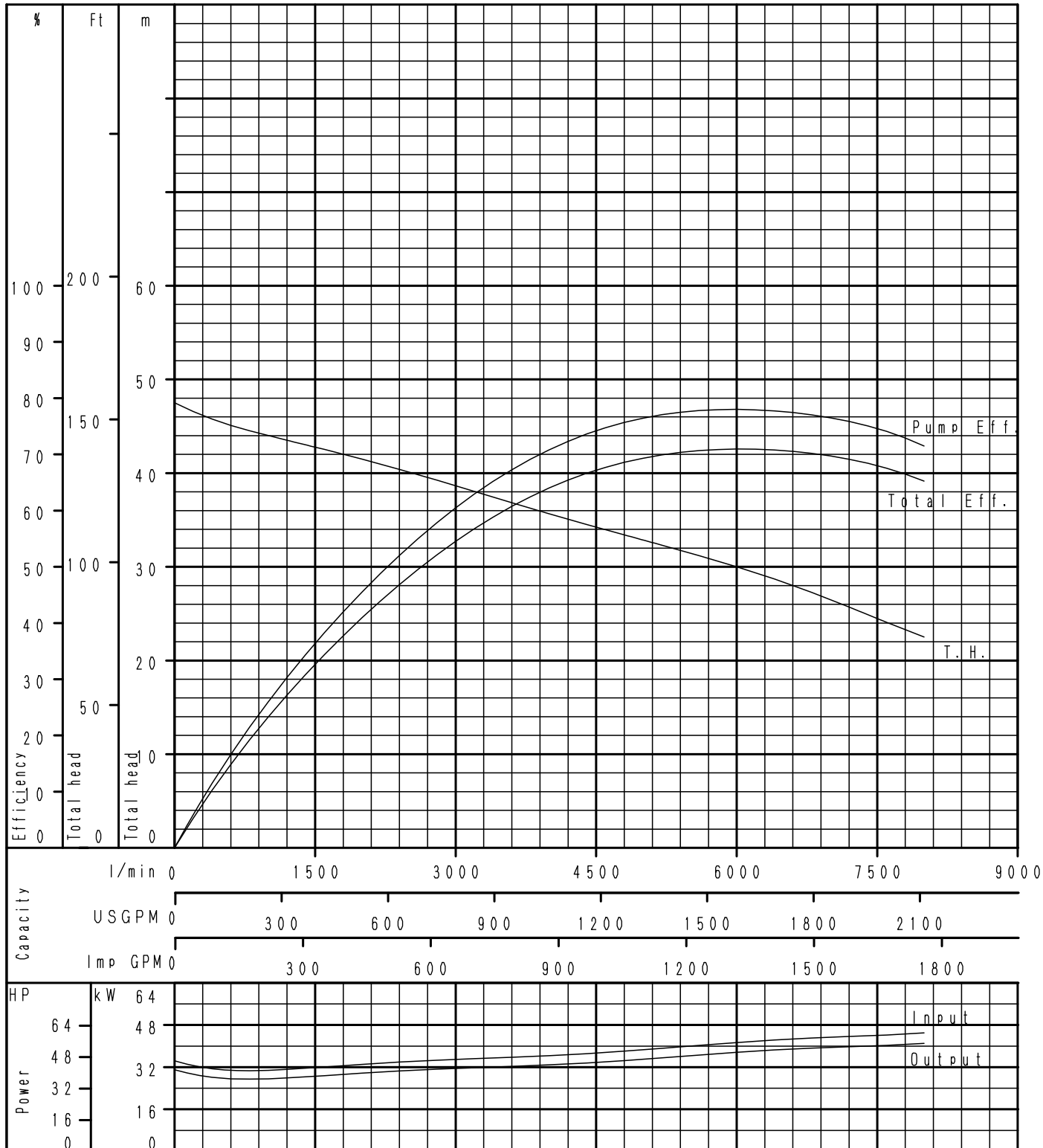
300DL3537	According to ISO testing code 9906 Grade 3B
50 Hz (Synchronous Speed 1500 min ⁻¹)	
Density=1kg/dm ³ Viscosity=1mm ² /s	



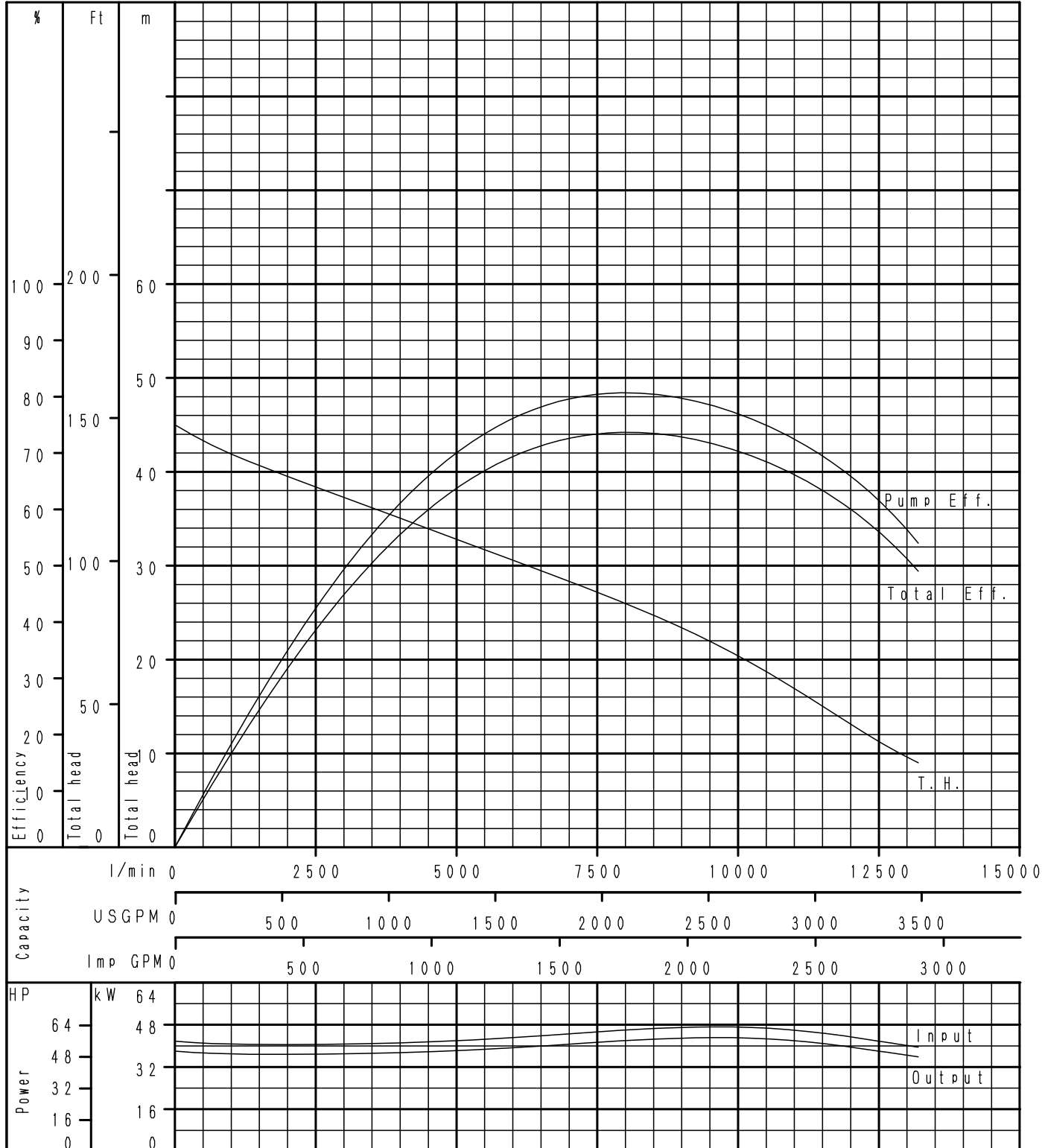
150DL3545	According to ISO testing code 9906 Grade 3B
50 Hz (Synchronous Speed 1500 min ⁻¹)	Density=1kg/dm ³ Viscosity=1mm ² /s



200DL3545	According to ISO testing code 9906 Grade 3B
50 Hz (Synchronous Speed 1500 min ⁻¹)	Density=1kg/dm ³ Viscosity=1mm ² /s



250DL3545	According to ISO testing code 9906 Grade 3B
50 Hz (Synchronous Speed 1500 min ⁻¹)	
Density=1kg/dm ³ Viscosity=1mm ² /s	



300DL3545	According to ISO testing code 9906 Grade 3B
50 Hz (Synchronous Speed 1500 min ⁻¹)	Density=1kg/dm ³ Viscosity=1mm ² /s

